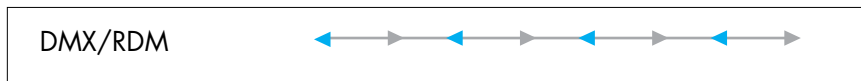


Client _____ Project name _____

Order# _____ Type _____ Qty _____

DESCRIPTION

Remote Device Management (RDM) is an enhancement of DMX that allows bi-directional control and feedback from lighting fixtures and devices.



FEATURES AND BENEFITS

DMX/RDM provides a number of benefits for stakeholders throughout the construction, commissioning and property management stages.

- **Simplify fixture discovery:** RDM controllers can discover any RDM-enabled devices on the network.
- **Improve error reporting:** An alert system reports back potential issues, including “Over Temperature” and “Over Voltage”.
- **Enable remote DMX addressing:** With RDM, technicians can remotely query and update the DMX address and other parameters of the fixture profile.
- **Update firmware:** Allows for easy discovery and updating of the fixture firmware via the new fixture firmware bootloader.

Your fixture has a lot to say.

- > Hello my name is Lumenbeam™ Small
- > My DMX address is 125
- > My temperature is 32° C
- > My personality is 16-bit
- > Remaining hours till L70: 102,567
- > My serial number is 06500005



DMX/RDM PROTOCOL LIMITS

Data length: 1000' between boosted devices
 Number of devices connected to a CBX: 32 per output
 Cascading CBX limit: 4

ADDITIONAL FEATURES

Key New RDM Parameters

- Fixture Name (Customizable)
- Manufacturer Label
- Device Model Description
- Serial Number
- DMX Address
- DMX Footprint
- Fixture Resolution
- Fixture Personality (Multiple Options)
- DMX Address Direction
- Dimming Curve
- Start-Up Color
- Firmware Version Number

On-Board Fixture Sensors

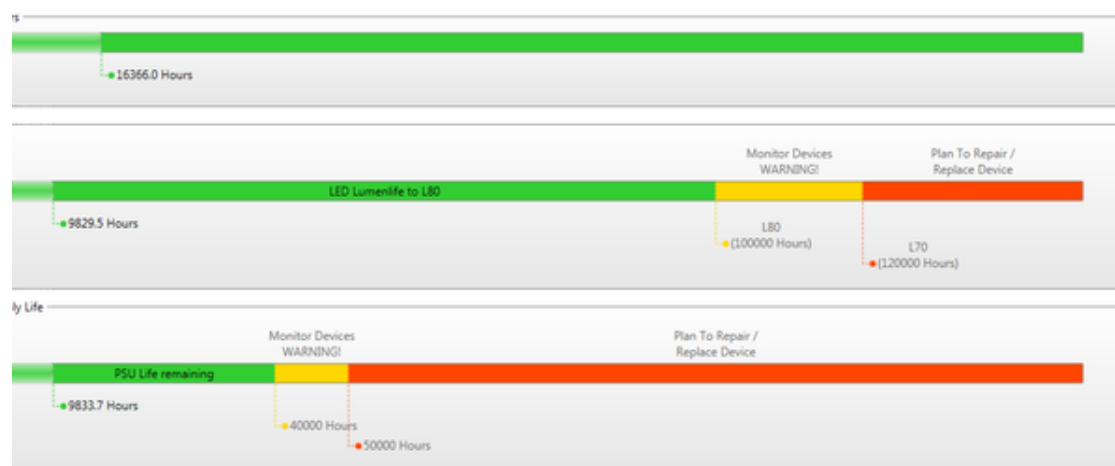
- Device Power
- LED Temperature
- PSU Temperature

Other Available Parameters for Both Lumenpulse and Third-Party Devices

- Device Hours
- Device Power Cycles
- Device Clock
- Device Slot Information (per channel)
- Display Invert (if applicable)
- Display Level (if applicable)
- Pan Invert (if applicable)
- Tilt Invert (if applicable)
- Pan/Tilt Swap (if applicable)
- Factory Default Reset

Lumenlife™

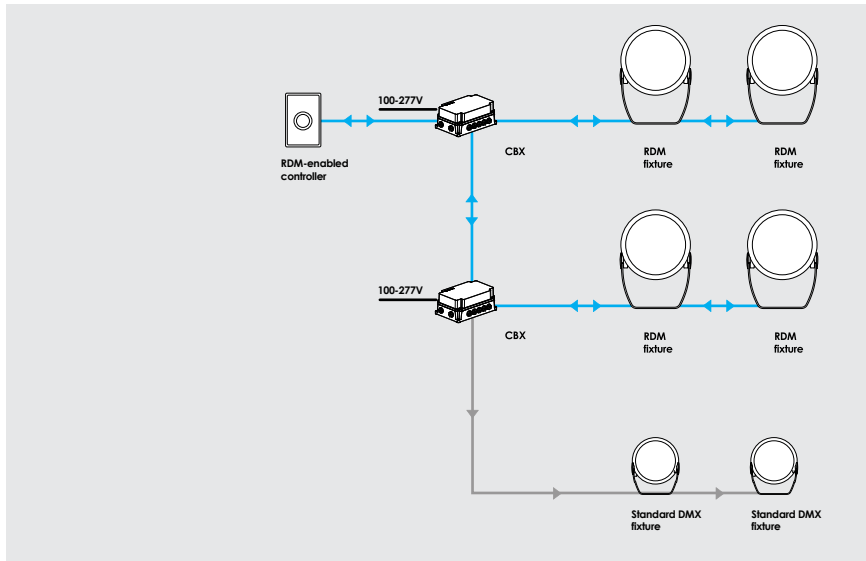
Lumenlife™, featured in the fixture monitoring section of the LumenID™ V3 software, is a patented method for estimating the life expectancy of a fixture, which takes into account environmental factors that influence lifetime, rather than merely the past hours of operation.



With Lumenlife, we can better estimate when a luminaire reaches L70 and issue alerts as the luminaire starts to approach the end of its useful lifetime. For more information, please consult the Lumenpulse Terms and Conditions at <http://www.lumenpulse.com/en/terms>.

TYPICAL DMX/RDM LAYOUTS

During Operation



During Commissioning or Monitoring

