

INSTALLATION INSTRUCTIONS

lumenfacadeTM nano

drawing number 138028



This product must be installed in accordance with applicable national and local electrical and construction codes by a person familiar with the construction and operation of the product and the hazards involved. Failure to comply with the following installation instructions may result in death or serious injury.

NANO
NANO INTERIOR
 WHITE & STATIC COLORS
 COLOR CHANGING &
 DYNAMIC WHITE

! WARNING

SEPARATION OF FIELD INSTALLED POWER LIMITED CIRCUIT DIMMING/CONTROL WIRING FROM THE BRANCH CIRCUIT WIRING IN THE OUTLET BOX ARE TO BE MADE IN ACCORDANCE WITH LOCAL AND/OR NATIONAL ELECTRICAL INSTALLATION CODES.

! WARNING

DISCONNECT POWER BEFORE INSTALLING OR SERVICING TO AVOID ELECTRICAL SHOCK.

! WARNING

DO NOT EXCEED FIXTURE SPECIFIED VOLTAGE.

! WARNING

DO NOT USE IF FIXTURE, PARTS OR CONNECTORS ARE DAMAGED.

CAUTION

UNAUTHORIZED FIELD REPAIRS WILL VOID WARRANTY.

INSTALLATION STEPS

1. INSTALL MOUNTING BRACKETS ON FIXTURES
2. INSTALL LUMENFACADE NANO JUMPER CABLES ON FIXTURES
3. INSTALL FIXTURES ONTO MOUNTING SURFACE
4. ADJUST LIGHT BEAM ORIENTATION
5. CONSULT ICBX OR LSBX INSTALLATION INSTRUCTIONS TO COMPLETE THE LUMENFACADE NANO SYSTEM INSTALLATION

NOTICE

RECORD THE LOCATION OF EACH FIXTURE BY ITS RDM UID NUMBER TO PREPARE FOR THE COMMISSIONING PROCESS (DMX/RDM)

OPTICAL OPTION INSTALLATION DETAILS

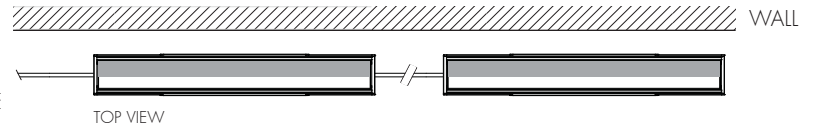
HFR - HALF-FROSTED LENS OPTION

AVAILABLE FOR 8° x 8°, 10° x 10° AND ASYMMETRIC WALLWASH OPTICS ONLY

NOTICE

ALWAYS POSITION FROSTED SIDE TOWARD THE WALL.

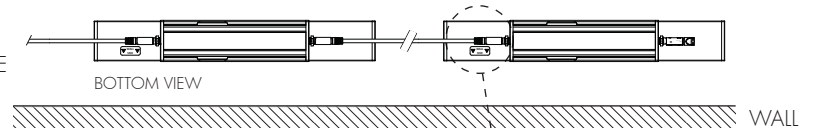
TO ICBX, LSBX OR NEXT FIXTURE



NOTICE

ENSURE THE WALL SIDE ARROWS OF EVERY FIXTURE IN THE INSTALLATION IS ALIGNED IN THE SAME DIRECTION

TO ICBX, LSBX OR NEXT FIXTURE



THE WALL SIDE IS IDENTIFIED WITH A "WALL SIDE" LABEL.

REQUIRED TOOLS

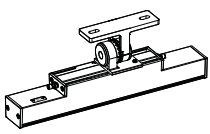


HEX KEYS
 2mm, 4mm AND 5mm

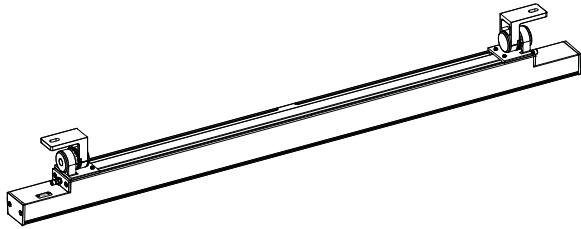
MOUNTING BRACKETS

ONE BRACKET PROVIDED FOR 1FT [305mm] FIXTURES

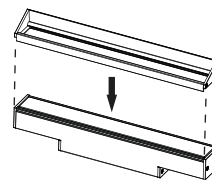
TWO BRACKETS PROVIDED FOR 2FT [610mm], 3FT [914mm] OR 4FT [1219mm] FIXTURES



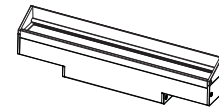
Shown with UMASN



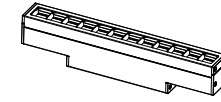
OPTICAL ACCESSORY INSTALLATION



CLIP VISOR OR LOUVER ONTO FIXTURE



VISOR AS INSTALLED



LOUVER AS INSTALLED

NOTICE

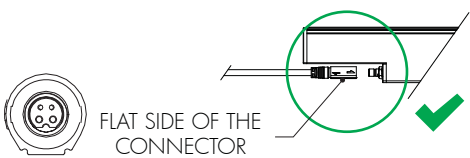
MAXIMUM ONE ACCESSORY PER FIXTURE. ACCESSORIES ARE FIELD INSTALLABLE. CONSULT FACTORY FOR CHANGES IN THE FIELD.

LUMENFACADE NANO JUMPER CABLE INSTALLATION

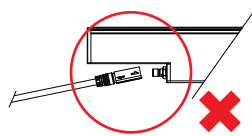
NOTICE

THE FLAT SIDE OF THE CONNECTOR MUST BE ORIENTED TOWARDS THE BOTTOM OF THE FIXTURE.

ENSURE THE JUMPER CABLE/TERMINATOR CAP IS PROPERLY ALIGNED BEFORE INSERTING IT IN THE CONNECTOR. DO NOT INSERT AT AN ANGLE. DO NOT APPLY LATERAL FORCE.

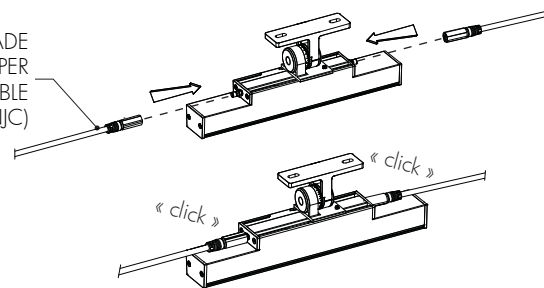


FLAT SIDE OF THE CONNECTOR



TO FACILITATE THE INSTALLATION, PRE-INSTALL THE JUMPER CABLES ON EACH FIXTURE

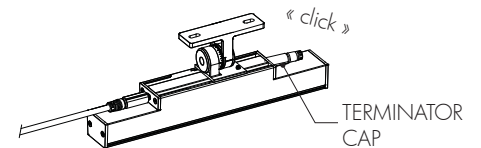
LUMENFACADE NANO JUMPER CABLE (LOGNJC)



LOGN 1ft [305mm] shown with UMASN

NOTICE

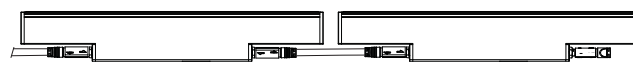
INSTALL TERMINATOR CAP ON UNUSED CONNECTORS



TERMINATOR CAP

MINIMUM SPACING RECOMMENDATION

FOR MINIMUM SPACING BETWEEN FIXTURES USE 0.5 FT [0.15m] JUMPER CABLE FOR INDOOR FIXTURES OR 1 FT [0.3m] JUMPER CABLE FOR OUTDOOR FIXTURES



FRONT VIEW
LUMENFACADE NANO INTERIOR

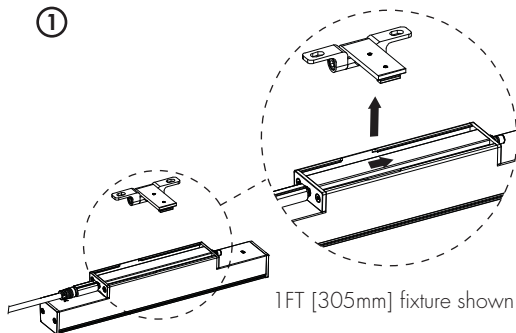


FRONT VIEW
LUMENFACADE NANO

MOUNTING BRACKET INSTALLATION

SAMN

①

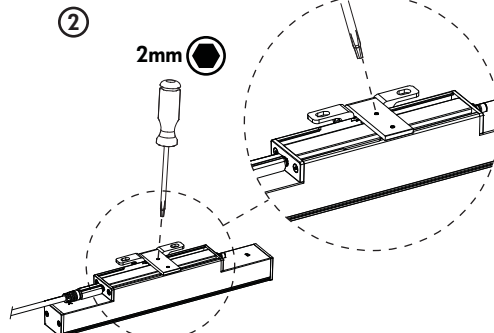


INSERT BRACKET(S) IN THE OPENING

FOR 1FT [305mm] FIXTURES:
 SLIDE BRACKET TO THE CENTER OF THE FIXTURE

FOR 2FT [610mm], 3FT [914mm] AND 4FT [1219mm] FIXTURES:
 SLIDE TO EITHER END OF THE FIXTURE

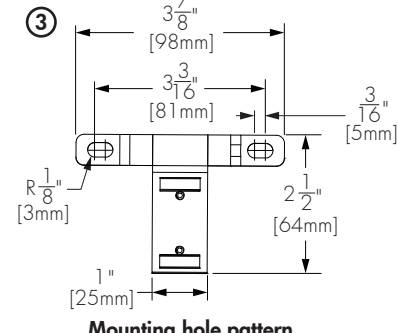
②



TIGHTEN SET SCREWS

RECOMMENDED TORQUE:
 17 lbs.in [1.9 N.m]

③



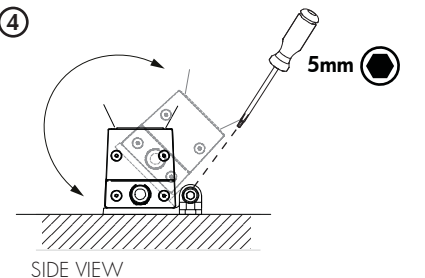
Mounting hole pattern

SCREW ONTO MOUNTING SURFACE

! WARNING

USE 1/4" FASTENERS (2X BY OTHERS) THAT ARE APPROPRIATE FOR USE WITH YOUR MOUNTING SURFACE

④



SIDE VIEW

LOOSEN SCREW SLIGHTLY TO ADJUST LIGHT BEAM ORIENTATION AND RE-TIGHTEN TO SECURE

RECOMMENDED TORQUE:
 60 lbs.in [6.8 N.m]

! CAUTION

DO NOT LOOK INTO BEAM

lumengrid™ A controls-agnostic plug and play 48VDC system that can create scalable yet simple lighting projects that are low maintenance and optimized for efficiency.

INSTALLATION INSTRUCTIONS

lumenpulse™ nano

drawing number 138028

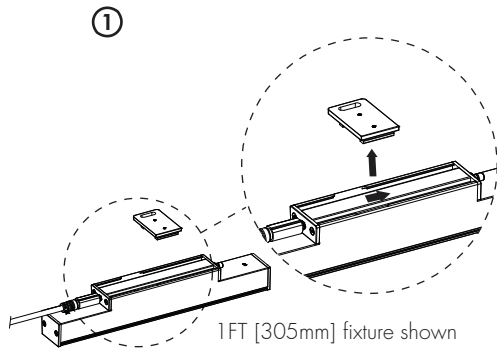


This product must be installed in accordance with applicable national and local electrical and construction codes by a person familiar with the construction and operation of the product and the hazards involved. Failure to comply with the following installation instructions may result in death or serious injury.

NANO
NANO INTERIOR
WHITE & STATIC COLORS
COLOR CHANGING &
DYNAMIC WHITE

MOUNTING BRACKET INSTALLATION - continued

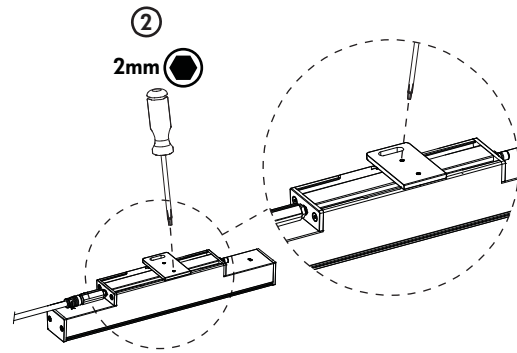
UMPN



INSERT BRACKET(S) IN THE OPENING

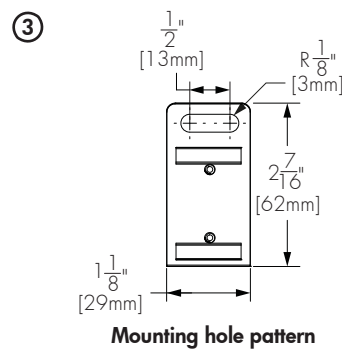
FOR 1FT [305mm] FIXTURES:
SLIDE BRACKET TO THE CENTER OF THE FIXTURE

FOR 2FT [610mm], 3FT [914mm] and 4FT [1219mm] FIXTURES:
SLIDE TO EITHER END OF THE FIXTURE



TIGHTEN SET SCREWS

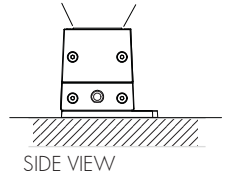
RECOMMENDED TORQUE:
17 lbs.in [1.9 N.m]



SCREW ONTO MOUNTING SURFACE

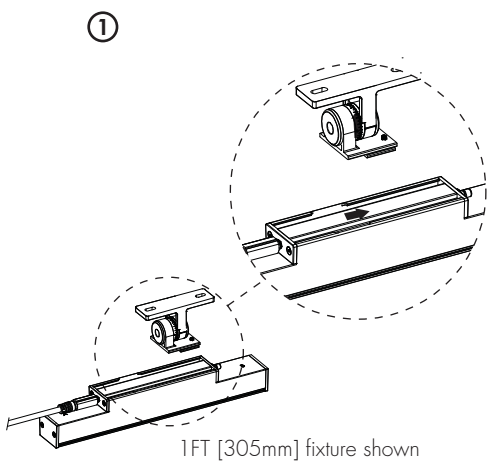
WARNING

USE 1/4" FASTENERS (1X BY OTHERS)
THAT ARE APPROPRIATE FOR USE WITH
YOUR MOUNTING SURFACE



CAUTION
DO NOT LOOK INTO BEAM

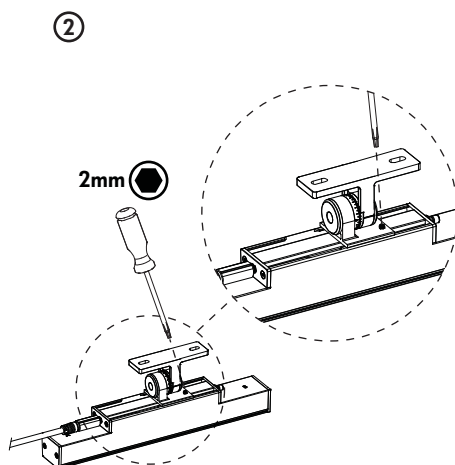
UMASN



INSERT BRACKET(S) IN THE OPENING

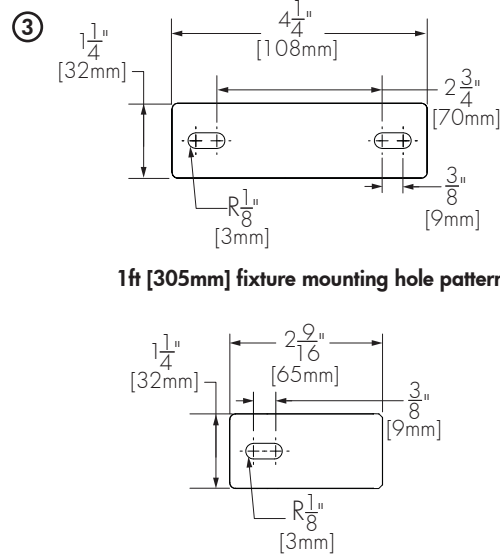
FOR 1FT [305mm] FIXTURES:
SLIDE BRACKET TO THE CENTER OF THE FIXTURE

FOR 2FT [610mm], 3FT [914mm] and 4FT [1219mm] FIXTURES:
SLIDE TO EITHER END OF THE FIXTURE



TIGHTEN SET SCREWS

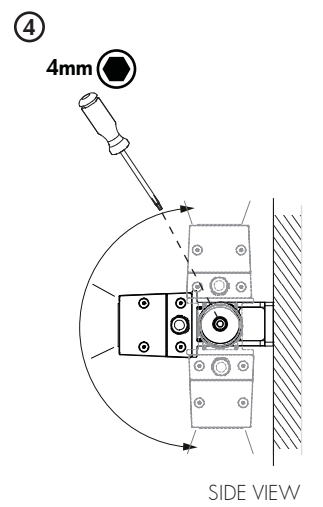
RECOMMENDED TORQUE:
17 lbs.in [1.9 N.m]



SCREW ONTO MOUNTING SURFACE

WARNING

USE 1/4" FASTENERS (1X BY OTHERS)
THAT ARE APPROPRIATE FOR USE WITH
YOUR MOUNTING SURFACE

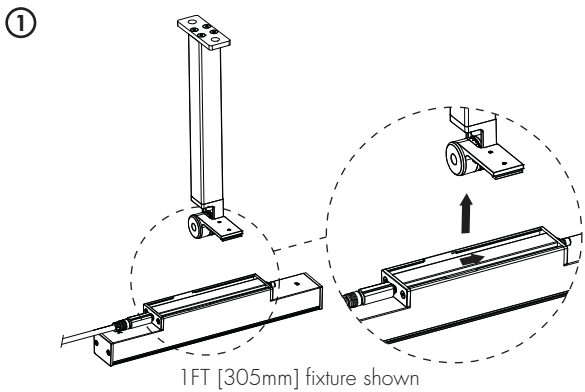


LOOSEN SCREW SLIGHTLY TO
ADJUST LIGHT BEAM ORIENTATION
AND RE-TIGHTEN TO SECURE

RECOMMENDED TORQUE:
40 lbs.in [4.5 N.m]

CAUTION
DO NOT LOOK INTO BEAM

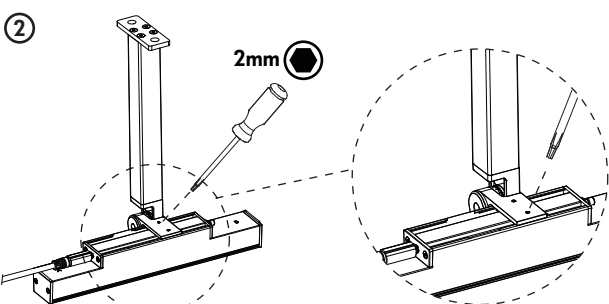
WAMN



INSERT BRACKET(S) IN THE OPENING

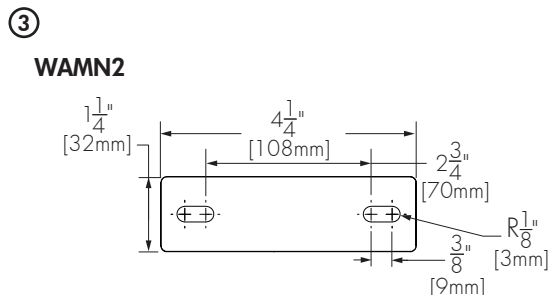
FOR 1FT [305mm] FIXTURES:
SLIDE BRACKET TO THE CENTER OF THE FIXTURE

FOR 2FT [610mm], 3FT [914mm] and 4FT [1219mm] FIXTURES:
SLIDE TO EITHER END OF THE FIXTURE



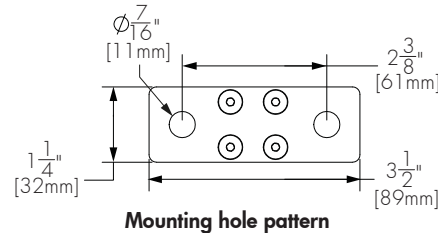
TIGHTEN SET SCREWS

RECOMMENDED TORQUE:
17 lbs.in [1.9 N.m]



SCREW ONTO MOUNTING SURFACE

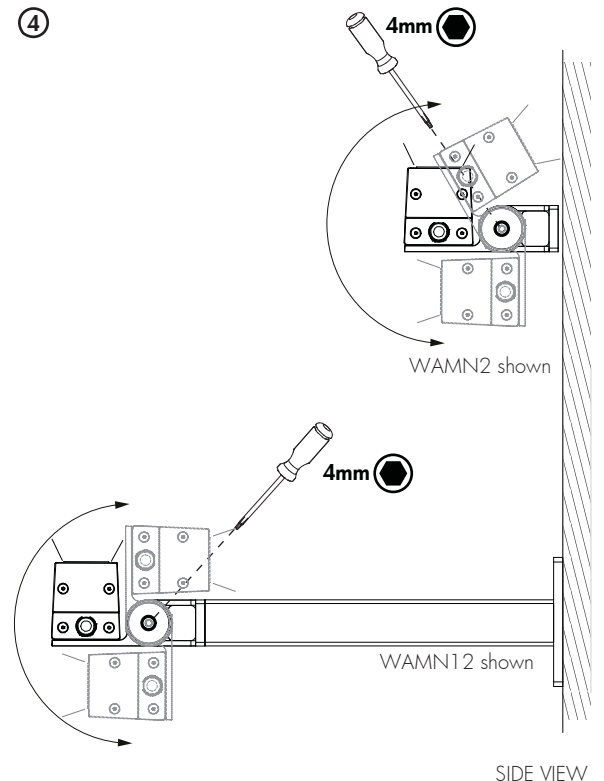
WAMN6, WAMN12 and WAMN18



SCREW ONTO MOUNTING SURFACE

WARNING

USE 1/4" FASTENERS (1X BY OTHERS) THAT ARE APPROPRIATE
FOR USE WITH YOUR MOUNTING SURFACE



LOOSEN SCREW SLIGHTLY TO ADJUST LIGHT BEAM
ORIENTATION AND RE-TIGHTEN TO SECURE

RECOMMENDED TORQUE:
40 lbs.in [4.5 N.m]

CAUTION
DO NOT LOOK INTO BEAM