

# INSTALLATION INSTRUCTIONS

**lumencove® XT**

WHITE & STATIC COLORS  
COLOR CHANGING  
DYNAMIC WHITE

drawing number 108915



**This product must be installed in accordance with applicable national and local electrical and construction codes by a person familiar with the construction and operation of the product and the hazards involved. Failure to comply with the following installation instructions may result in death or serious injury.**

## ⚠ WARNING

SEPARATION OF FIELD INSTALLED POWER LIMITED CIRCUIT (DIMMING/CONTROL) WIRING FROM THE BRANCH CIRCUIT WIRING IN THE OUTLET BOX ARE TO BE MADE IN ACCORDANCE WITH LOCAL AND/OR NATIONAL ELECTRICAL INSTALLATION CODES.

## ⚠ WARNING

DISCONNECT POWER BEFORE INSTALLING OR SERVICING TO AVOID ELECTRICAL SHOCK.

## ⚠ WARNING

DO NOT EXCEED FIXTURE SPECIFIED VOLTAGE.

## ⚠ WARNING

DO NOT USE IF FIXTURE, PARTS OR CONNECTORS ARE DAMAGED.

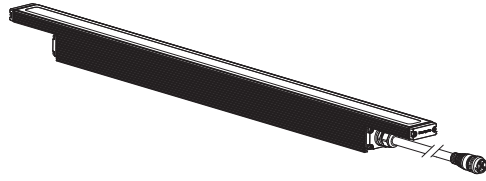
## CAUTION

UNAUTHORIZED FIELD REPAIRS WILL VOID WARRANTY.

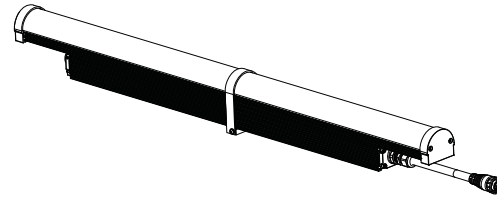
## ⚠ WARNING

POWER CABLE SHOULD NOT SUPPORT WEIGHT OF FIXTURE: LEAVE LOOSE.

### LUMENCOVE XT FAMILY

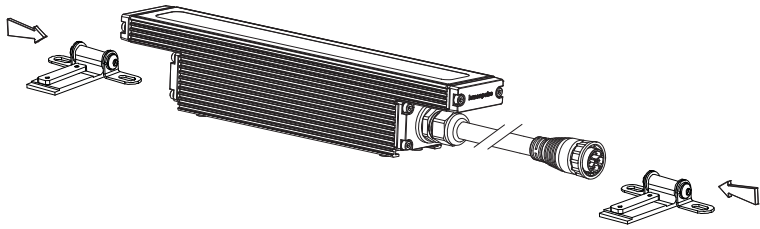


LXT - EXTERIOR

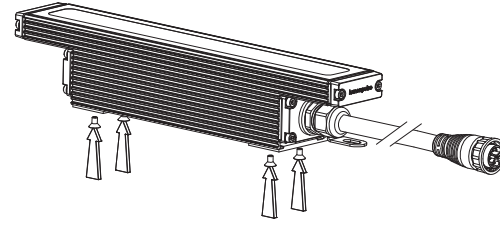


LXTD - EXTERIOR DIRECT VIEW

### SLIDE IN SAM MOUNTING BRACKETS

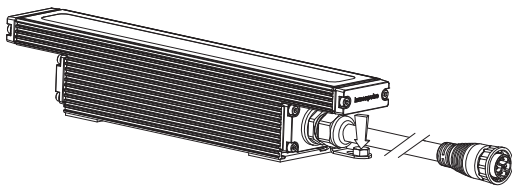


### TIGHTEN SCREWS



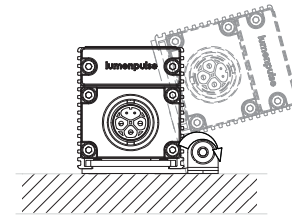
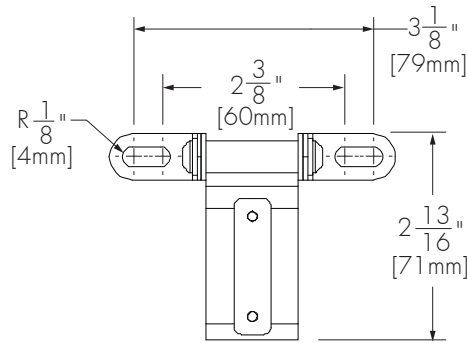
**4X**   
HEX KEY SIZE: 3/32"

### SCREW ONTO MOUNTING SURFACE



## ⚠ WARNING

USE 1/4" FASTENERS (4X BY OTHERS) THAT ARE APPROPRIATE FOR USE WITH YOUR MOUNTING SURFACE



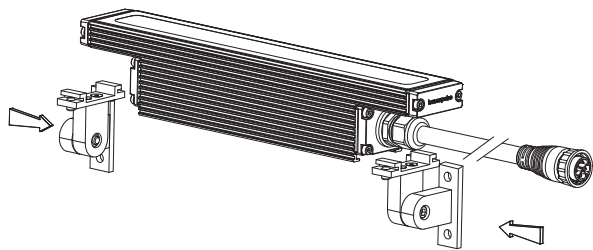
LOOSEN SCREWS SLIGHTLY TO ADJUST LIGHT BEAM ORIENTATION AND RE-TIGHTEN TO SECURE

**⚠ CAUTION**  
DO NOT LOOK INTO BEAM.

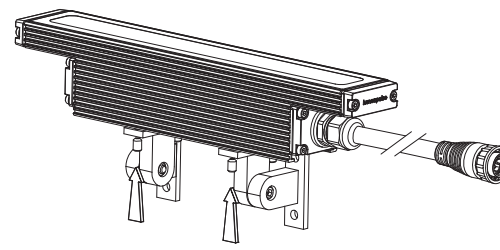
**4X**   
HEX KEY SIZE: 5/32"

OR

### SLIDE IN UMAS MOUNTING BRACKETS

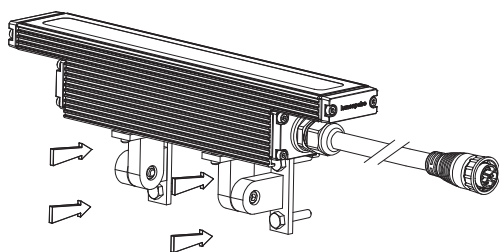


### TIGHTEN SET SCREWS



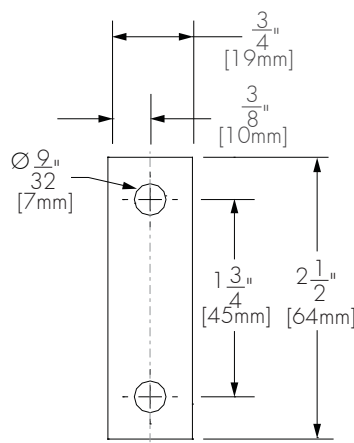
**4X**   
HEX KEY SIZE: 1/8"

### SCREW ONTO MOUNTING SURFACE



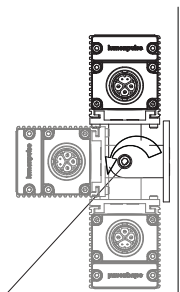
## ⚠ WARNING

USE 1/4" FASTENERS (4X BY OTHERS) THAT ARE APPROPRIATE FOR USE WITH YOUR MOUNTING SURFACE



**⚠ CAUTION**  
DO NOT LOOK INTO BEAM.

LOOSEN SCREWS SLIGHTLY TO ADJUST LIGHT BEAM ORIENTATION AND RE-TIGHTEN TO SECURE



**2X**   
HEX KEY SIZE: 3/16"

lumencove™, a proprietary binning method, guarantees color temperature consistency within a 3-step MacAdam ellipse.

lumencove talk lumencove near™ Combine lumencove translator with lumencove talk-enabled luminaires housing lumencove pulse's proprietary lumencove near control card to build your lumencove talk system.

# INSTALLATION INSTRUCTIONS

drawing number 108915

**lumencove® XT**

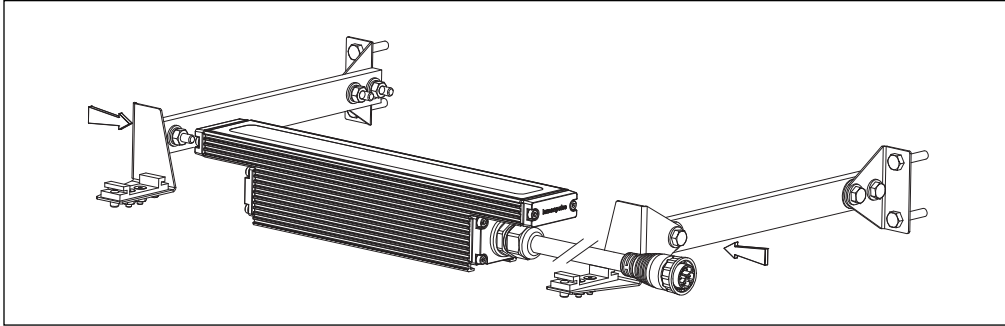
WHITE & STATIC COLORS  
COLOR CHANGING  
DYNAMIC WHITE



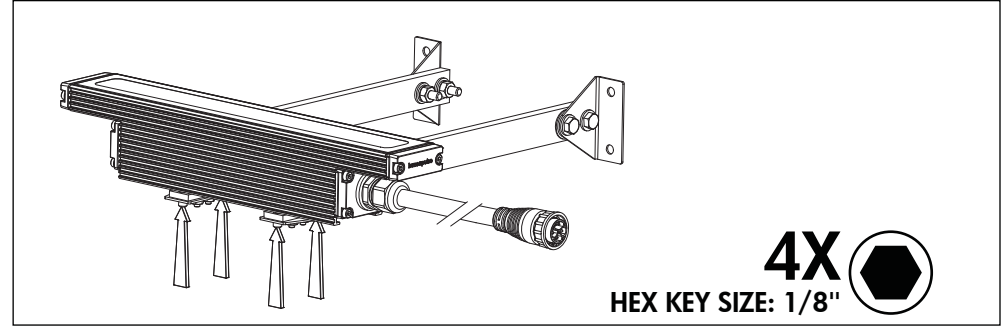
**This product must be installed in accordance with applicable national and local electrical and construction codes by a person familiar with the construction and operation of the product and the hazards involved. Failure to comply with the following installation instructions may result in death or serious injury.**

OR

## SLIDE IN WAM MOUNTING BRACKETS

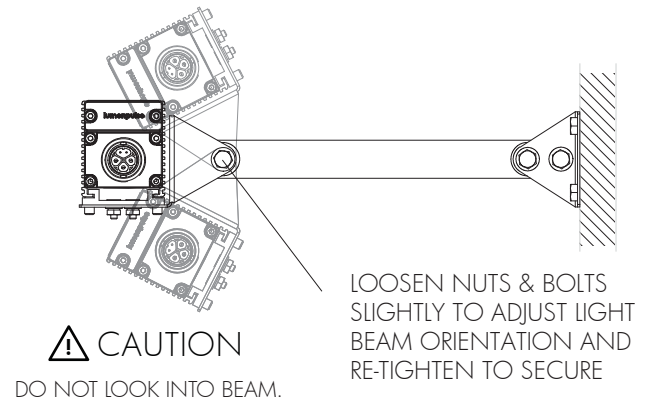
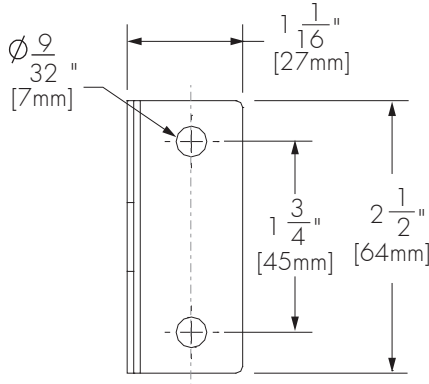
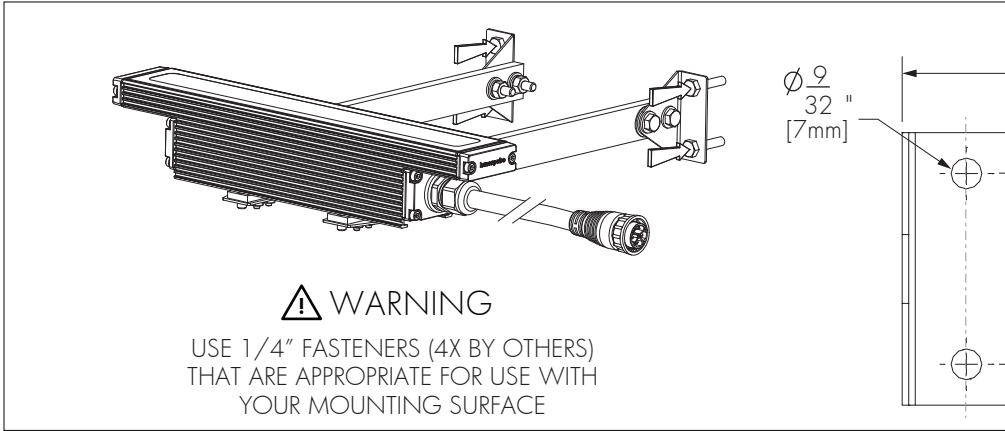


## TIGHTEN SET SCREWS



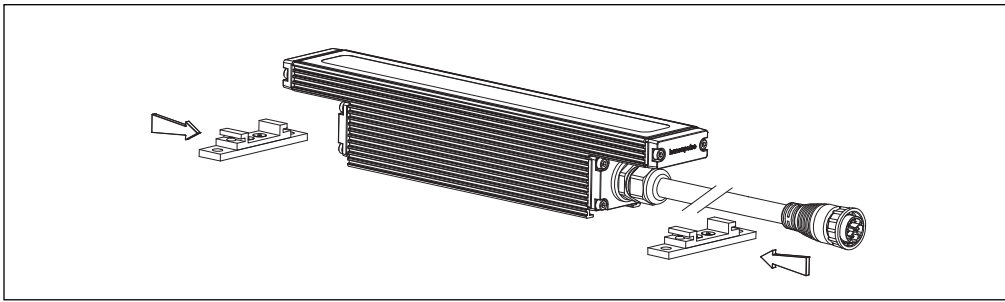
**4X**   
HEX KEY SIZE: 1/8"

## SCREW ONTO MOUNTING SURFACE

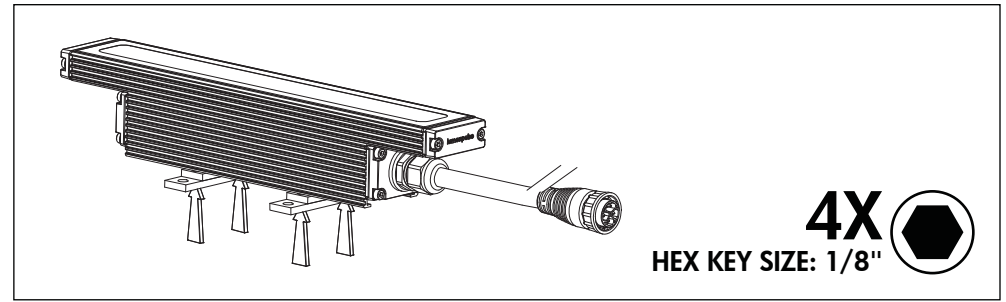


OR

## SLIDE IN UMP MOUNTING BRACKETS

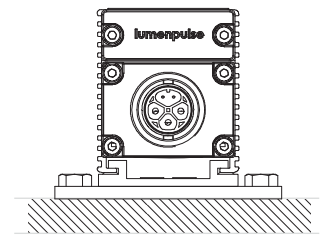
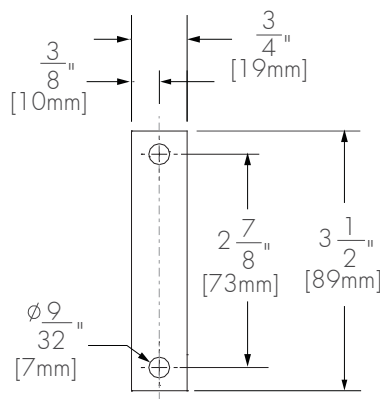
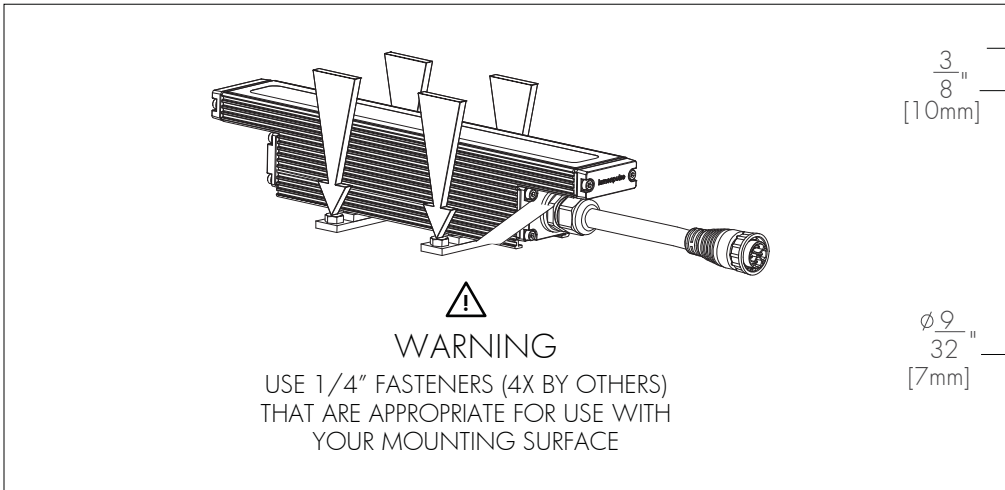


## TIGHTEN SET SCREWS



**4X**   
HEX KEY SIZE: 1/8"

## SCREW ONTO MOUNTING SURFACE



## WIRING DETAIL AT JUNCTION BOX (BY OTHERS)

### NON-DIMMING

### LUMENTALK

(for 2, 3 or 4' fixture lengths [0.6, 0.9 or 1.2m])

\*Lumentalk Data Bridge required for 1' [0.3m] fixture lengths see Lumentalk Data Bridge installation instructions for more details

### 0-10V DIMMING

### DALI DIMMING

### LUTRON® ECOSYSTEM® ENABLED DIMMING

From third party controller (dimmer, DALI controller, or Lutron® EcoSystem® controller)

American Color Code	CE Color Code	USE
Green	Yellow/Green	Ground
Black	Brown	Live 100-277V
White	Blue	Neutral
Red/ Purple	Black	0-10V / Data +
Orange	Grey	0-10V / Data -

**DMX/RDM**  
\*see CBX installation instructions for more details

lumencove™, a proprietary binning method, guarantees color temperature consistency within a 3-step MacAdam ellipse.

lumencove talk lumencove™ Combine lumencove translator with Lumentalk-enabled luminaires housing Lumencove's proprietary lumencove control card to build your Lumentalk system.



**This product must be installed in accordance with applicable national and local electrical and construction codes by a person familiar with the construction and operation of the product and the hazards involved. Failure to comply with the following installation instructions may result in death or serious injury.**

## CONNECT LEADER CABLE

INPUT CONNECTOR

INSERT CABLE AND TURN COLLAR OF CONNECTOR CLOCKWISE TO LOCK THE CONNECTION.

**CAUTION**  
FOR A SECURE INSTALLATION, MAKE SURE TO FULLY TURN THE COLLAR UNTIL IT CLICKS INTO PLACE.

## CONNECT LEADER CABLE TO J-BOX (BY OTHERS)

1/2" NPT LIQUID TIGHT STRAIN RELIEF (BY OTHERS)

RTV silicone

**WARNING**  
FOR WET LOCATION INSTALLATIONS, USE WEATHERPROOF JUNCTION BOXES AND SEAL ALL POSSIBLE WATER ENTRY POINTS AND COVERS USING RTV SILICONE. (SEALING COMPOUND AND JUNCTION BOXES BY OTHERS)

### DMX/Data Cable Specification

DMX Cable from Controller to CBX and CBX to CBX shall adhere to ANSI E1.11 – 2008 (r2013) – Entertainment Technology – USITT DMX512-A, Asynchronous Serial Digital Data Transmission Standard for Controlling Lighting Equipment and Accessories. At minimum DMX Cable shall be 1-Pair (24 AWG, 7x32 Stranding) Twisted (minimum of 4.8 twists/foot), Shielded, minimum of 100 ohms impedance, and <25 pF/ft. capacitance.

### Combined Power & Data Cable Specification

Fixture cabling from CBX to Fixtures shall be installed per NEC and Local Codes. All cables shall be SOOW style cables with minimum of 16 AWG annealed stranded bare copper per ASTM B-174 with a minimum temperature range of -40°C to +90°C. All conductor standing must be a minimum of 26/30 and capable of handling 13 amps. Cable must be water resistant, UL Listed and CSA certified for indoor and outdoor use. Must be ozone, sunlight (UV) and weather resistant.

## NOTICE

RECORD THE LOCATION OF EACH FIXTURE BY SERIAL NUMBER TO PREPARE FOR THE COMMISSIONING PROCESS (DMX/RDM).

## TYPICAL SAM INSTALLATION

INPUT CONNECTOR

## TYPICAL UMAS INSTALLATION

INPUT CONNECTOR

## TYPICAL WAM INSTALLATION

INPUT CONNECTOR

## TYPICAL UMP INSTALLATION

INPUT CONNECTOR

lumencove™, a proprietary binning method, guarantees color temperature consistency within a 3-step MacAdam ellipse.

lumencove talk lumencove near™ Combine lumencove translator with lumencove talk-enabled luminaires housing Lumencove's proprietary lumencove near control card to build your lumencove talk system.