

Client _____ Project name _____

Order# _____ Type _____ Qty _____

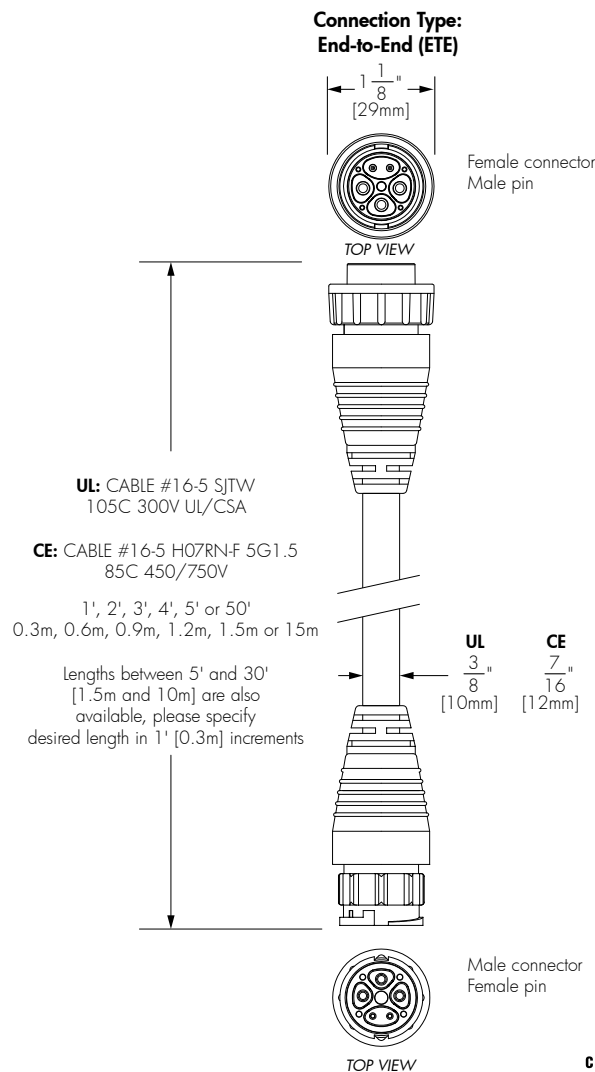
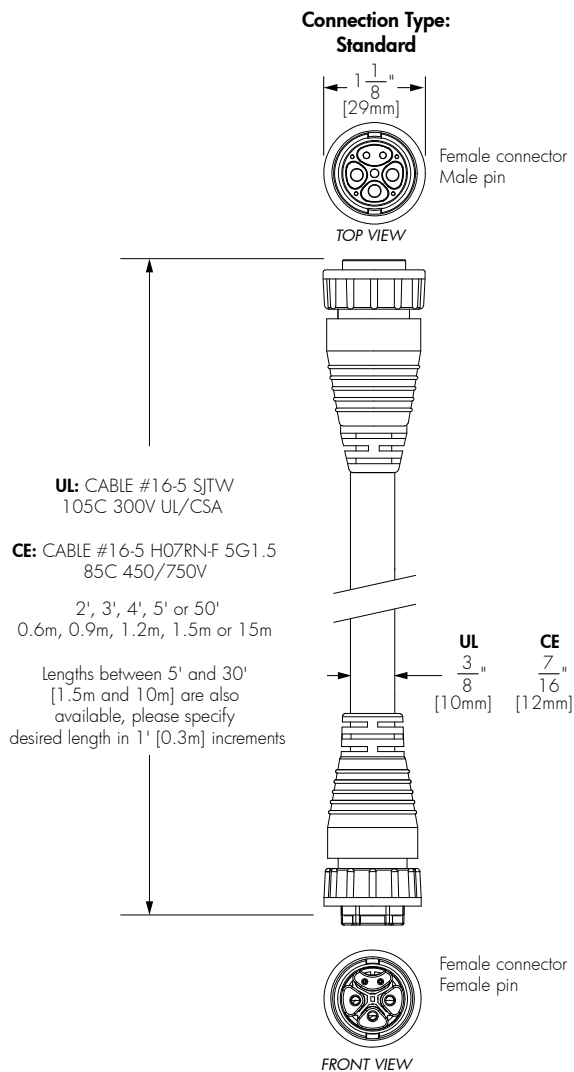
JUMPER CABLE, LTW CONNECTOR

Physical :

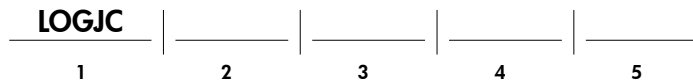
- Available standard lengths: 1' increments up to 30' along with 50'
- Available standard lengths: 0.3m increments up to 10m along with 15m
- Available in black or white, consult factory for custom colors
- IP66

Electrical :

- Power and data in 1 cable (#16-5)
- Suitable for dimming/data and non-dimming applications



HOW TO ORDER



1

Housing:

LOGJC - Jumper cable for lumenfacade™

2

Certification:

UL - UL (certification covers Canada and the United States)

CE - CE (certification covers Europe Economic Area)

3

Connection Type:

STD - Standard fixture construction

ETE - End-to-end option specified for fixtures

4

Length:

1FT - 1ft¹

2FT - 2ft

3FT - 3ft

4FT - 4ft

5FT - 5ft

...

30FT - 30ft

50FT - 50ft

0.3M - 0.3m¹

0.6M - 0.6m

0.9M - 0.9m

1.2M - 1.2m

1.5M - 1.5m

...

10M - 10m

15M - 15m

Lengths between 5' and 30' [1.5m and 10m]
are also available, please specify desired length in 1' [0.3m]
increments.

5

Cable Color:

BK - Black

WH - White

Consult factory for custom color availability.

Connectors are black.

Notes:

¹ 1ft [0.3m] length is only available for an end-to-end (ETE) connection type.