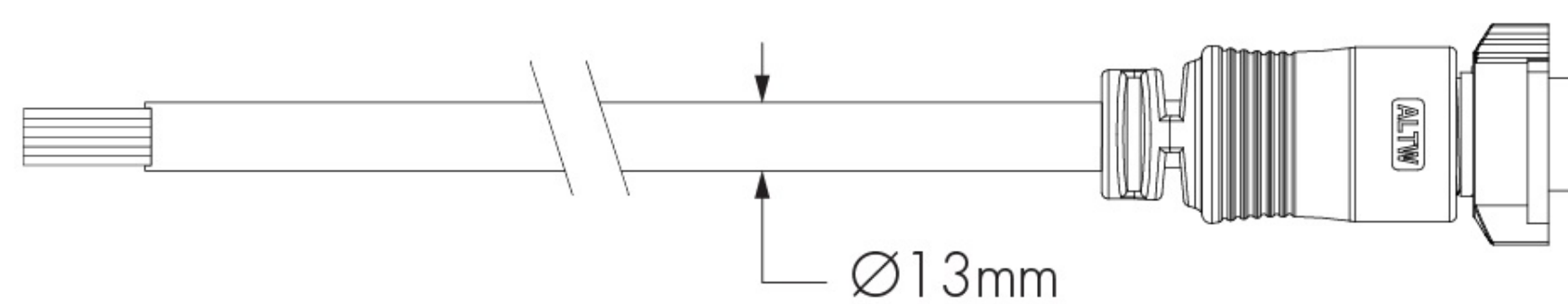
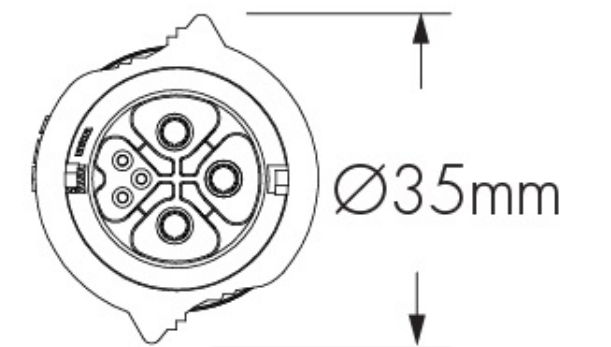


Project Name \_\_\_\_\_ Qty \_\_\_\_\_

Type \_\_\_\_\_ Catalog / Part Number \_\_\_\_\_

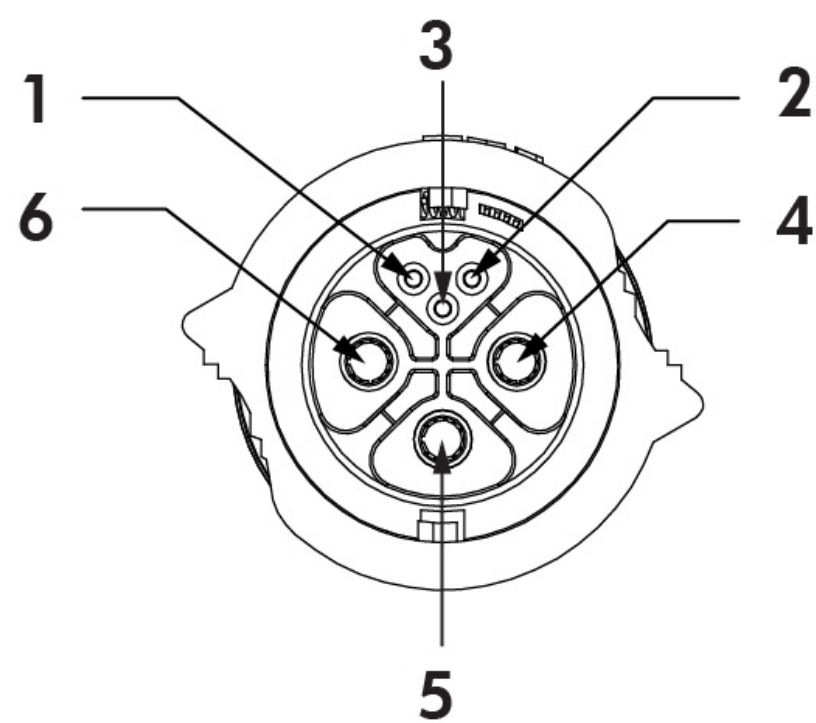


Side view



Front view

## Pin detail



## Wiring colour code

PIN ID	UL Colour code	USE
1	Red	Data +
2	Orange	Data -
3	Grey	Signal common
4	Black	Line
5	Green	Ground
6	White	Neutral

## Certifications



## Features

Length	3 m, 7.6 m, 15.2 m
Cable Colour	Black
Warranty	5-year limited warranty

## Electrical and control

Voltage	300 volts
Connectors	female connector, female pins
Conductors	6C : 3C 14 AWG, 1 pair 24 AWG and 1C 24 AWG

## Environmental

Operating Temperature	Up to 105 °C
Ingress Protection Rating	IP68

## How to order

1	2	3	4

### 1 . Housing

**3P3DLC**                      3 Conductor Power and 3 Conductor Data  
Leader Cable with Connector <sup>(1)</sup>

<sup>(1)</sup> Sealing endcap is mandatory for any unused connector. One (1) included with every leader cable.

### 2 . Certification

**UL**                              UL compliant  
**CE**                              CE compliant <sup>(1)</sup>

<sup>(1)</sup> Consult European specification sheet for CE pin detail.

### 3 . Length

<b>10FT</b>	3 m
<b>25FT</b>	7.6 m
<b>50FT</b>	15.2 m

### 4 . Cable Colour

**BK**                              Black <sup>(1)</sup>

<sup>(1)</sup> Cable is provided with a black connector.