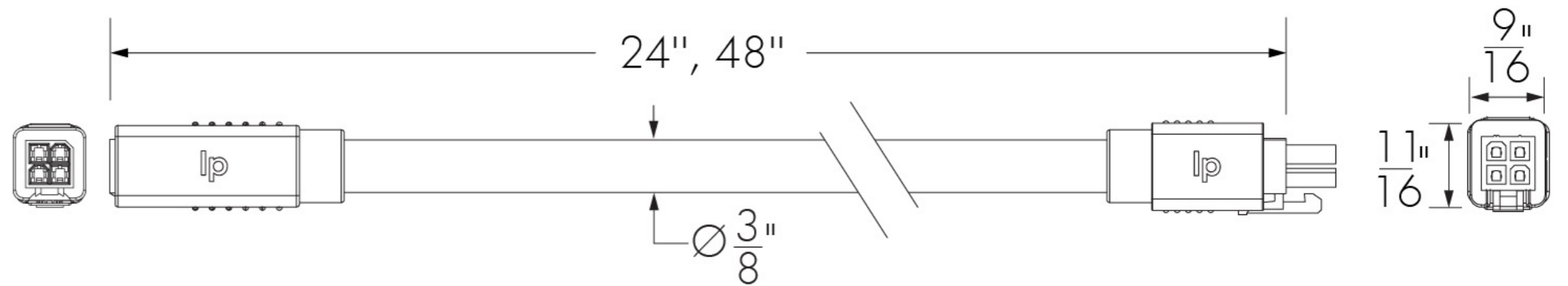
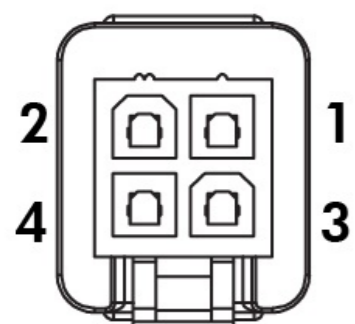


Project Name \_\_\_\_\_ Qty \_\_\_\_\_

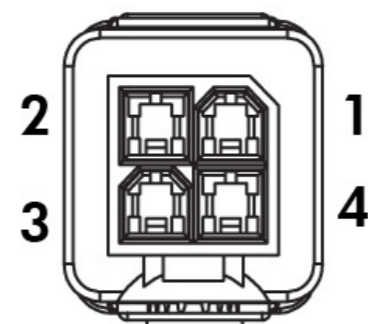
Type \_\_\_\_\_ Catalog / Part Number \_\_\_\_\_



## Pin detail



Male connector  
(female pins)



Female connector  
(Female pins)

## Wiring color code

| PIN ID | UL Color code | USE     |
|--------|---------------|---------|
| 1      | Black         | Line    |
| 2      | White         | Neutral |
| 3      | Red           | Data +  |
| 4      | Orange        | Data -  |

## Certifications



## Features

|             |                         |
|-------------|-------------------------|
| Length      | 2 ft, 4 ft              |
| Cable Color | White                   |
| Warranty    | 5-year limited warranty |

## Electrical and control

|                                   |  |
|-----------------------------------|--|
| Fixture Voltage                   | 120 volts, 230 volts, 277 volts  |
| Connectors                        | Thumb latch connectors (breakable under load), Male connector (female pin), Female connector (female pins) |
| Fixture Cable and Connector Color | White  |
| Conductors                        | 4 conductors 16AWG (4 x 1,5 mm <sup>2</sup> )  |
| Control                           | On/Off control, 0-10V dimming, DMX control, DALI dimming   |

## Environmental

|                       |                          |
|-----------------------|--------------------------|
| Storage Temperature   | -4 °F to 167 °F          |
| Operating Temperature | -4 °F to 149 °F          |
| Environment           | Indoor applications only |

## How to order

| 1 | 2 | 3 | 4 |
|---|---|---|---|
|   |   |   |   |

### 1 . Housing

|               |                                 |
|---------------|---------------------------------|
| <b>LCN2JC</b> | Lumencove Nano 2.0 Jumper Cable |
|---------------|---------------------------------|

### 2 . Certification

|           |                             |
|-----------|-----------------------------|
| <b>UL</b> | UL compliant <sup>(1)</sup> |
| <b>CE</b> | CE compliant                |

<sup>(1)</sup> Consult European specification sheet for CE pin detail.

### 3 . Length

|            |      |
|------------|------|
| <b>2FT</b> | 2 ft |
| <b>4FT</b> | 4 ft |

### 4 . Cable Color

|           |                      |
|-----------|----------------------|
| <b>WH</b> | White <sup>(1)</sup> |
|-----------|----------------------|

<sup>(1)</sup> Cable is provided with a white connector.