

Client _____ Project name _____

Order# _____ Type _____ Qty _____

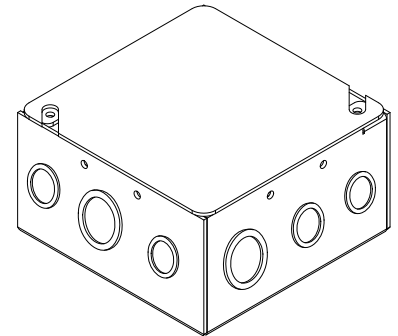
DESCRIPTION:

Data protocol converter that converts a 0-10V, DMX or DALI signal to a PWM control output.

FEATURES AND BENEFITS:

Physical

- UL version: dual gang box, galvanized metal
- CE version: dual gang box, glass fibre reinforced polycarbonate
- Wiring for power & data input and output
- Power input, 1/2" provision hole for 1/2" NPT, PG16 or 20mm
- One output, 1/2" provision hole for 1/2" NPT, PG16 or 20mm
- Standard electrical box mounting
- Operating temperatures: -25°C to 50°C [-13F to 122F]
- Storage temperatures: -40°C to 85°C [-40F to 185F]
- Weight: 0.75 kg/1.65 lbs (UL version); 0.45 kg/1 lb (CE version)
- IP20, suitable for indoor use only



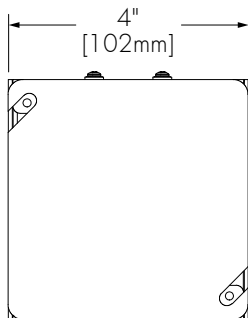
Electrical

- 100-277V input
- Data input: 0-10V, DMX or DALI
- Data output: PWM

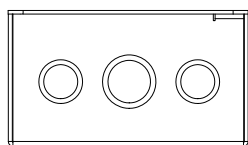


*Strain relief connectors and cables by others.

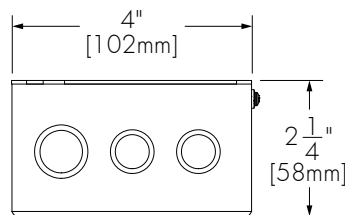
*1/2" NPT hole plugs included for use with UL listed watertight strain relief connectors by others



TOP VIEW



FRONT VIEW



SIDE VIEW

UL version

1/5

2018.07.13
EM - R4

© Copyright Lumenpulse Group Inc. 2018

1220 Marie-Victorin Blvd., 1.877.937.3003
Longueuil, QC P. 514.937.3003
J4G 2H9 CA F. 514.937.6289
info@lumenpulse.com www.lumenpulse.com

5-year limited warranty.

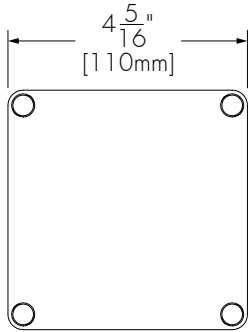
Consult www.lumenpulse.com
for our complete Standard Terms
and Conditions of Sales.

lumenpulse™

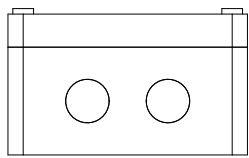
Lumenpulse Group Inc. reserves the right to make changes to this product at any time without prior notice and such changes shall be effective immediately.

DIMENSIONS

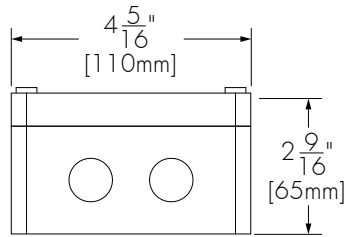
CE VERSION



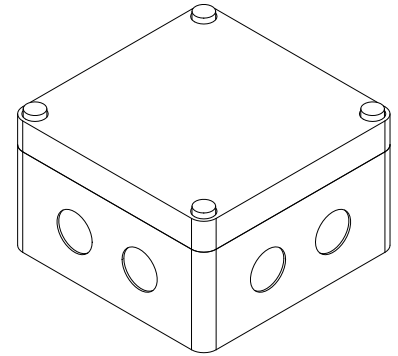
TOP VIEW



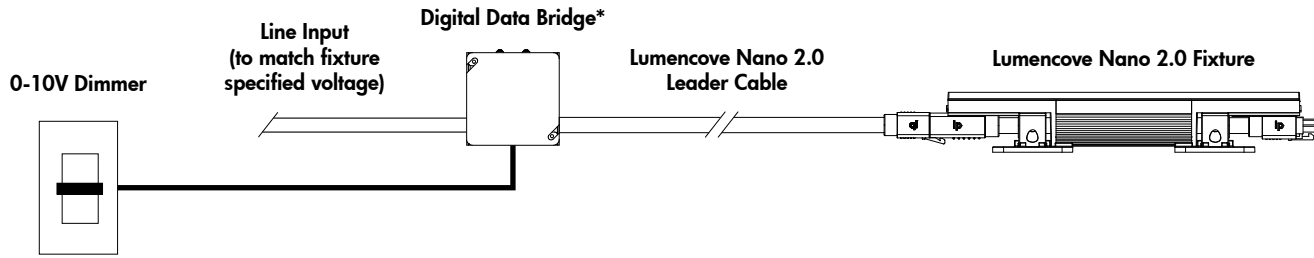
FRONT VIEW



SIDE VIEW

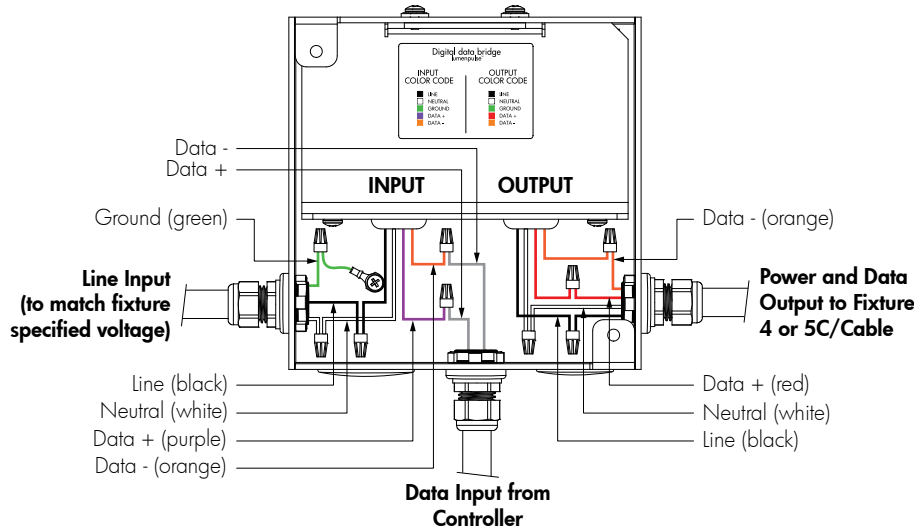


TYPICAL WIRING DIAGRAM



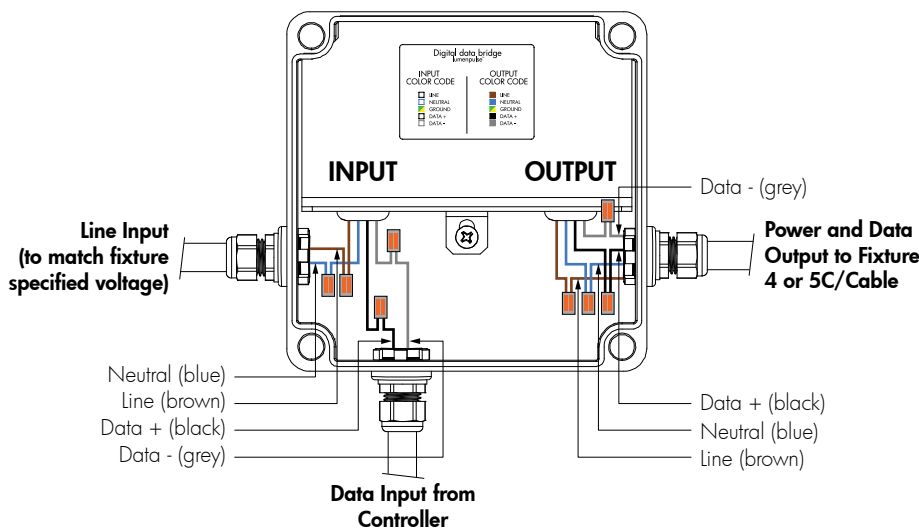
*Each Digital Data Bridge can support a maximum of 150 ft [45.7m] of lumencove Nano 2.0.

UL version wiring detail

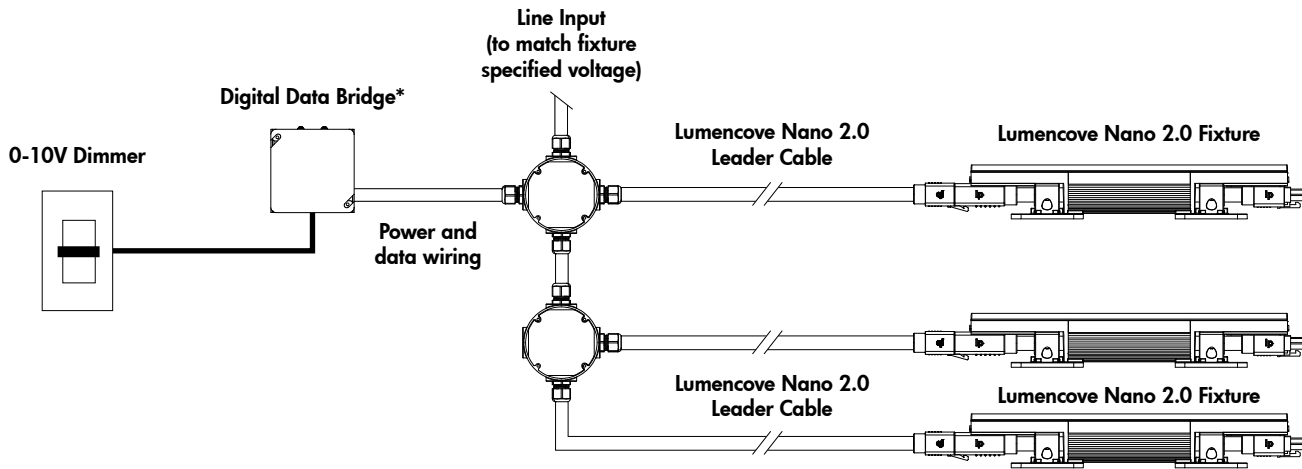


American Color Code	CE Color Code	USE
Green	Yellow/Green	Ground
Black	Brown	Line 100-277V
White	Blue	Line/Neutral
Red/Purple	Black	Data +
Orange	Grey	Data -

CE version wiring detail

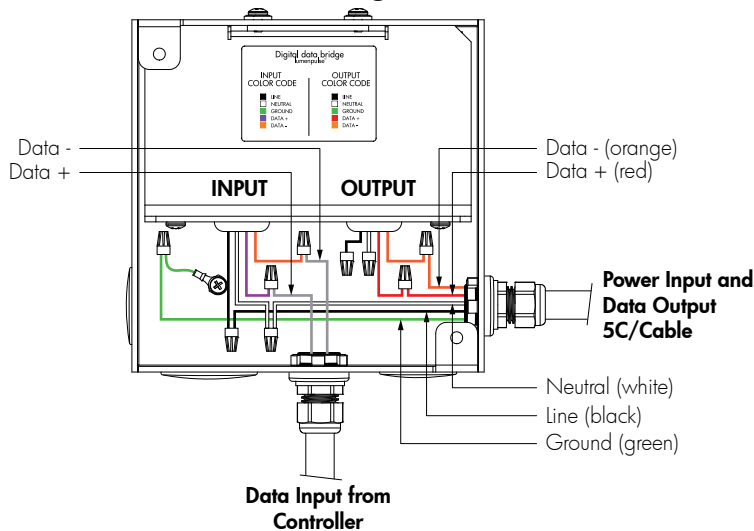


ALTERNATE WIRING DIAGRAM



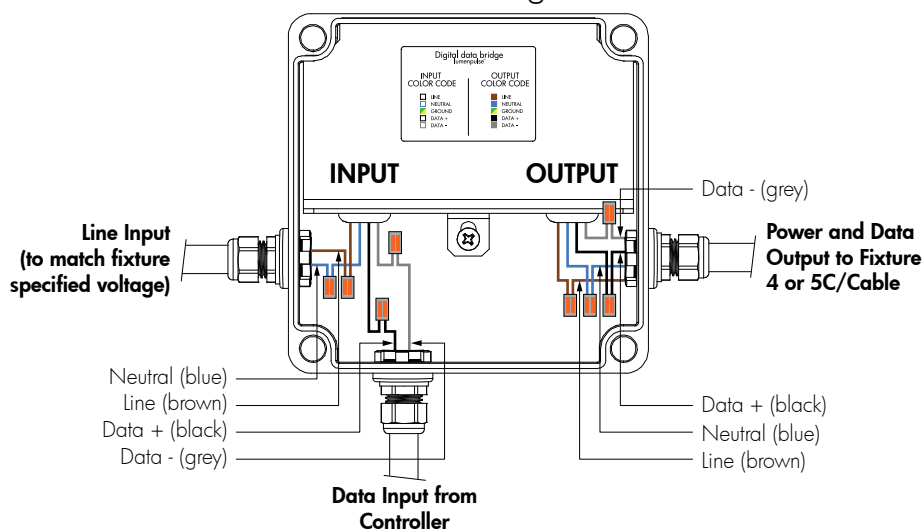
*Each Digital Data Bridge can support a maximum of 150 ft [45.7m] of Lumencove Nano 2.0 fixtures.

UL version wiring detail

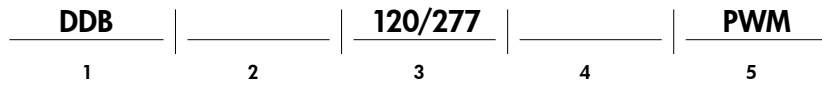


American Color Code	CE Color Code	USE
Green	Yellow/Green	Ground
Black	Brown	Line 100-277V
White	Blue	Line/Neutral
Red/Purple	Black	Data +
Orange	Grey	Data -

CE version wiring detail



HOW TO ORDER



1

Housing:

DDB - Digital Data Bridge allows for simple conversion of 0-10V, DMX and DALI input control signals to a PWM output control signal.

2

Certification:

UL - UL compliant
CE - CE compliant

3

Voltage:

120/277 - 120-277 volts

4

Input Control Signal:

DIM - 0-10V dimming
DMX - DMX control
DALI - DALI dimming

5

Output Control Signal:

PWM - PWM control