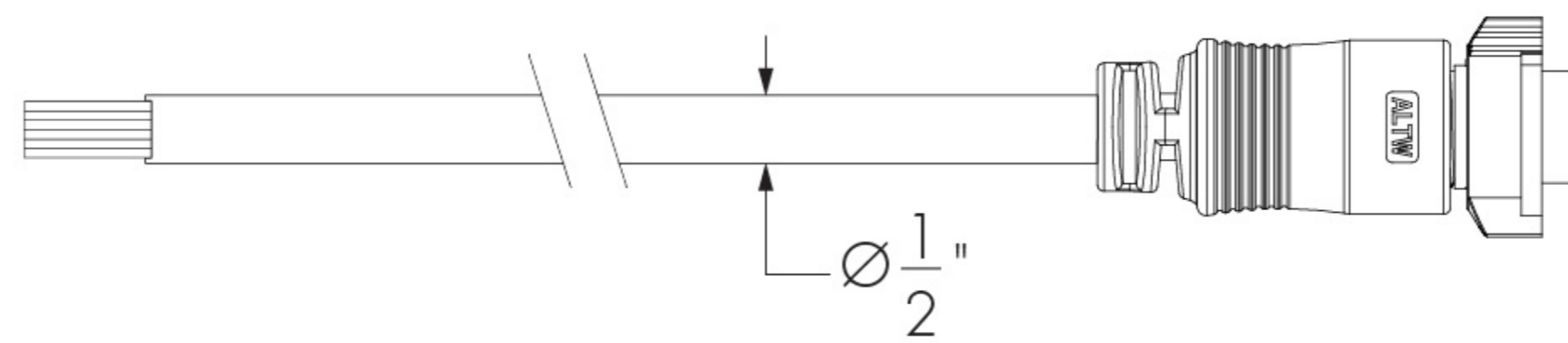
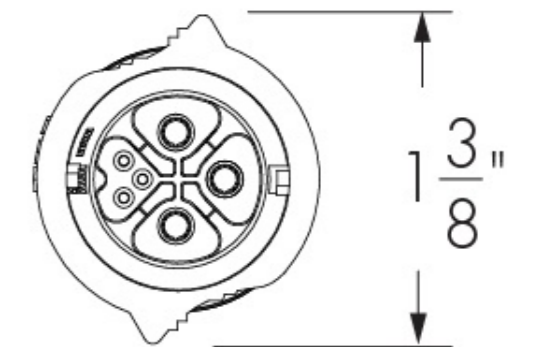


Project Name _____ Qty _____

Type _____ Catalog / Part Number _____

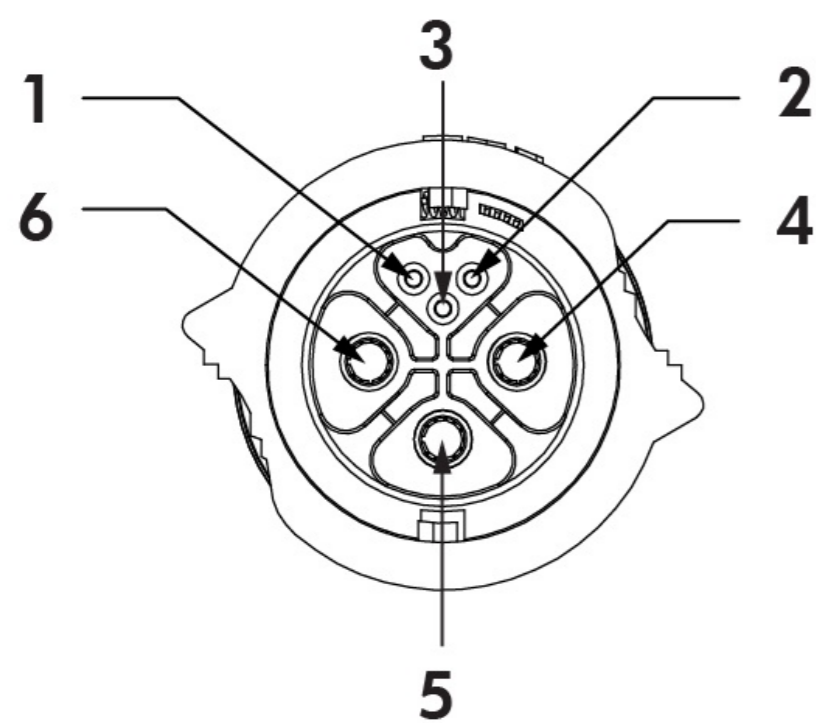


Side view



Front view

Pin detail



Wiring color code

PIN ID	UL Colour code	USE
1	Red	Data +
2	Orange	Data -
3	Grey	Signal common
4	Black	Line
5	Green	Ground
6	White	Neutral

Features

Length	10 ft, 25 ft, 50 ft
Cable Color	Black
Warranty	5-year limited warranty

Electrical and control

Voltage	300 volts
Connectors	female connector, female pins
Conductors	6C : 3C 14 AWG, 1 pair 24 AWG and 1C 24 AWG

Environmental

Operating Temperature	Up to 221 °F
Ingress Protection Rating	IP68

Certifications



How to order

1	2	3	4

1 . Housing

3P3DLC 3 Conductor Power and 3 Conductor Data
Leader Cable with Connector ⁽¹⁾

⁽¹⁾ Sealing endcap is mandatory for any unused connector. One (1) included with every leader cable.

2 . Certification

UL UL compliant
CE CE compliant ⁽¹⁾

⁽¹⁾ Consult European specification sheet for CE pin detail.

3 . Length

10FT	10 ft
25FT	25 ft
50FT	50 ft

4 . Cable Color

BK Black ⁽¹⁾

⁽¹⁾ Cable is provided with a black connector.