



This product must be installed in accordance with applicable national and local electrical and construction codes by a person familiar with the construction and operation of the product and the hazards involved. Failure to comply with the following installation instructions may result in death or serious injury.

WARNING

DO NOT USE IF FIXTURE, PARTS OR CONNECTORS ARE DAMAGED.

WARNING

DO NOT EXCEED FIXTURE SPECIFIED VOLTAGE.

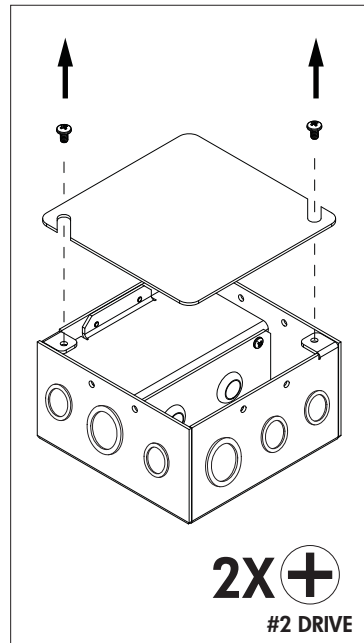
CAUTION

UNAUTHORIZED FIELD REPAIRS WILL VOID WARRANTY.

STEP 1. OPEN BOX

REQUIRED TOOLS:

- #2 PHILLIPS SCREWDRIVER
- #1 PHILLIPS SCREWDRIVER



2X+
#2 DRIVE

AS DELIVERED

WARNING

SEPARATION OF FIELD INSTALLED POWER LIMITED CIRCUIT (DIMMING/CONTROL) WIRING FROM THE BRANCH CIRCUIT WIRING IN THE OUTLET BOX ARE TO BE MADE IN ACCORDANCE WITH LOCAL AND/OR NATIONAL ELECTRICAL INSTALLATION CODES.

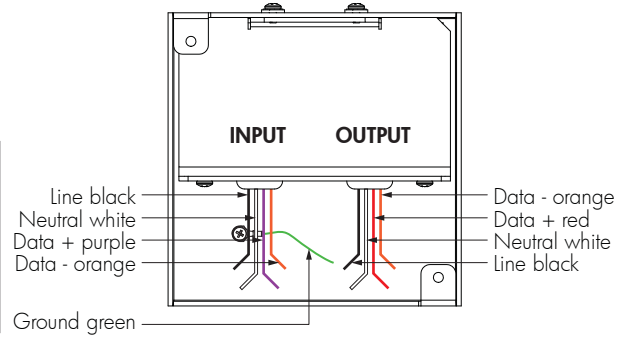
WIRE COLOR	USE
GREEN	GROUND
BLACK	LINE
WHITE	LINE/ NEUTRAL
PURPLE/RED	DATA +
ORANGE	DATA -

WARNING

DISCONNECT POWER BEFORE INSTALLING OR SERVICING TO AVOID ELECTRICAL SHOCK.

CAUTION

INDOOR USE ONLY. SUITABLE FOR DRY/DAMP LOCATIONS ONLY.



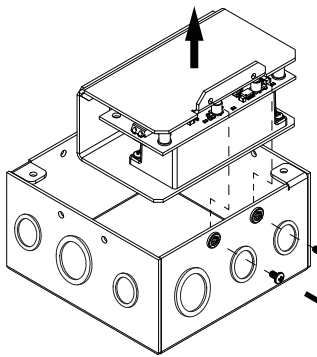
NOTICE

RECORD THE LOCATION OF EACH DIGITAL DATA BRIDGE BY SERIAL NUMBER TO PREPARE FOR THE COMMISSIONING PROCESS (DMX).

STEP 2. REMOVE POWER SUPPLY MODULE

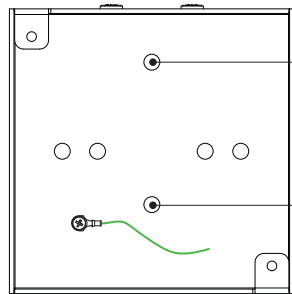
WARNING

TAMPERING WITH OR DISASSEMBLING THE POWER SUPPLY MODULE WILL VOID WARRANTY.



2X+
#1 DRIVE

STEP 3. MOUNT BOX TO WALL



USE 1/4"-20 UNC OR M6 ANCHORING BOLTS THAT ARE APPROPRIATE FOR USE WITH YOUR MOUNTING SURFACE (PROVIDED BY INSTALLING CONTRACTOR)

2X

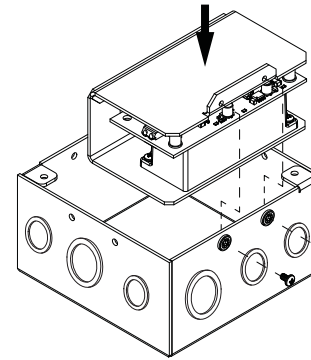
STEP 4. REINSTALL POWER SUPPLY MODULE

NOTICE

PRE-INSTALL STRAIN RELIEF CONNECTORS OR CONDUIT FOR CONNECTIONS BEFORE REINSTALLING THE POWER SUPPLY MODULE

WARNING

TAMPERING WITH OR DISASSEMBLING THE POWER SUPPLY MODULE WILL VOID WARRANTY.

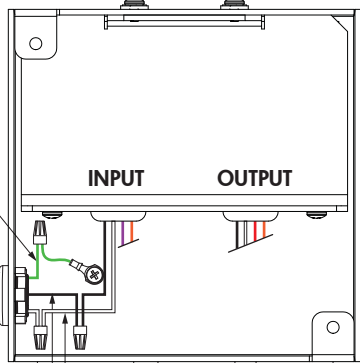


2X+
#1 DRIVE

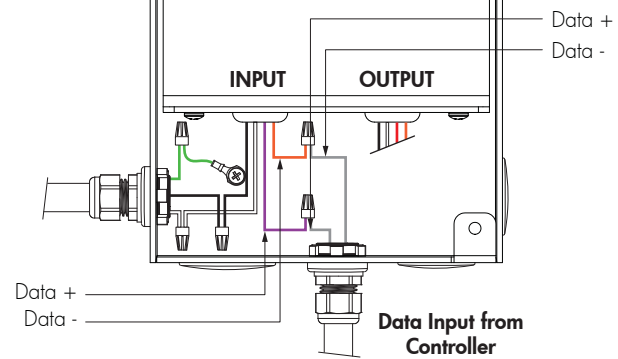
CONNECTION STEPS

STEP 5. LINE INPUT

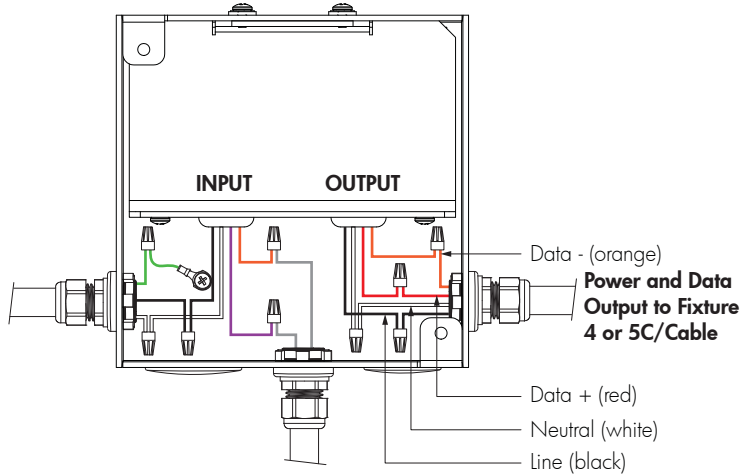
Ground (green)
Line Input (to match fixture specified voltage)
Line (black)
Neutral (white)



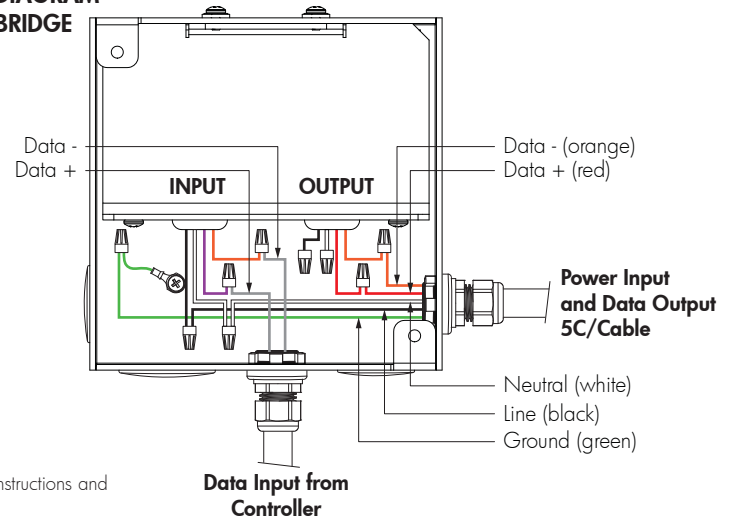
STEP 6. DATA INPUT



STEP 7. POWER AND OUTPUT TO FIXTURE

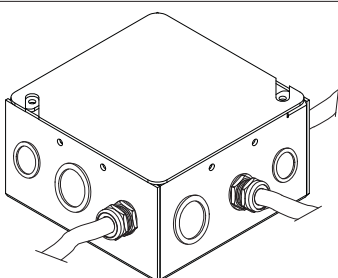


ALTERNATE WIRING DIAGRAM WITH DIGITAL DATA BRIDGE



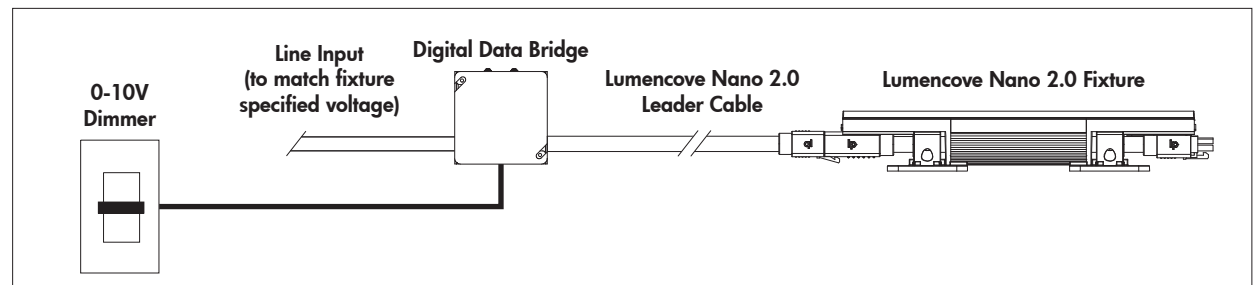
Consult the LCN2 Installation Instructions and specification sheet for details.

STEP 8. CLOSE BOX



2X+
#2 DRIVE

AS INSTALLED - TYPICAL WIRING DIAGRAM





This product must be installed in accordance with applicable national and local electrical and construction codes by a person familiar with the construction and operation of the product and the hazards involved. Failure to comply with the following installation instructions may result in death or serious injury.

WARNING

DO NOT USE IF FIXTURE, PARTS OR CONNECTORS ARE DAMAGED.

WARNING

DO NOT EXCEED FIXTURE SPECIFIED VOLTAGE.

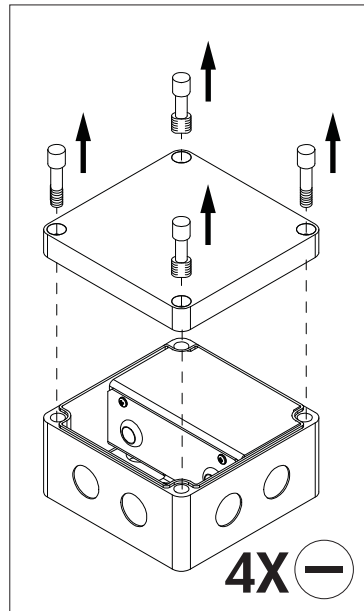
CAUTION

UNAUTHORIZED FIELD REPAIRS WILL VOID WARRANTY.

STEP 1. OPEN BOX

AS DELIVERED

REQUIRED TOOLS:
FLAT SCREWDRIVER
#2 PHILLIPS SCREWDRIVER



WARNING
SEPARATION OF FIELD INSTALLED POWER LIMITED CIRCUIT (DIMMING/CONTROL) WIRING FROM THE BRANCH CIRCUIT WIRING IN THE OUTLET BOX ARE TO BE MADE IN ACCORDANCE WITH LOCAL AND/OR NATIONAL ELECTRICAL INSTALLATION CODES.

WARNING
DISCONNECT POWER BEFORE INSTALLING OR SERVICING TO AVOID ELECTRICAL SHOCK.

CAUTION
INDOOR USE ONLY. SUITABLE FOR DRY/DAMP LOCATIONS ONLY.

WIRE COLOR	USE
BROWN	LINE
BLUE	LINE/NEUTRAL
BLACK	DATA +
GREY	DATA -

NOTICE
RECORD THE LOCATION OF EACH DIGITAL DATA BRIDGE BY SERIAL NUMBER TO PREPARE FOR THE COMMISSIONING PROCESS (DMX).

STEP 2. REMOVE POWER SUPPLY MODULE

WARNING
TAMPERING WITH OR DISASSEMBLING THE POWER SUPPLY MODULE WILL VOID WARRANTY.

STEP 3. MOUNT BOX TO WALL

4x accessible mounting holes

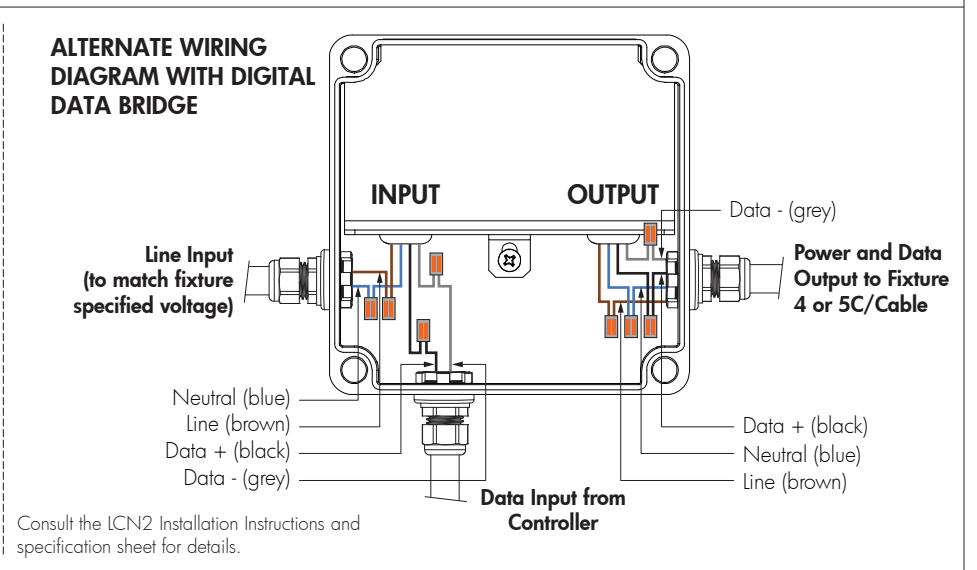
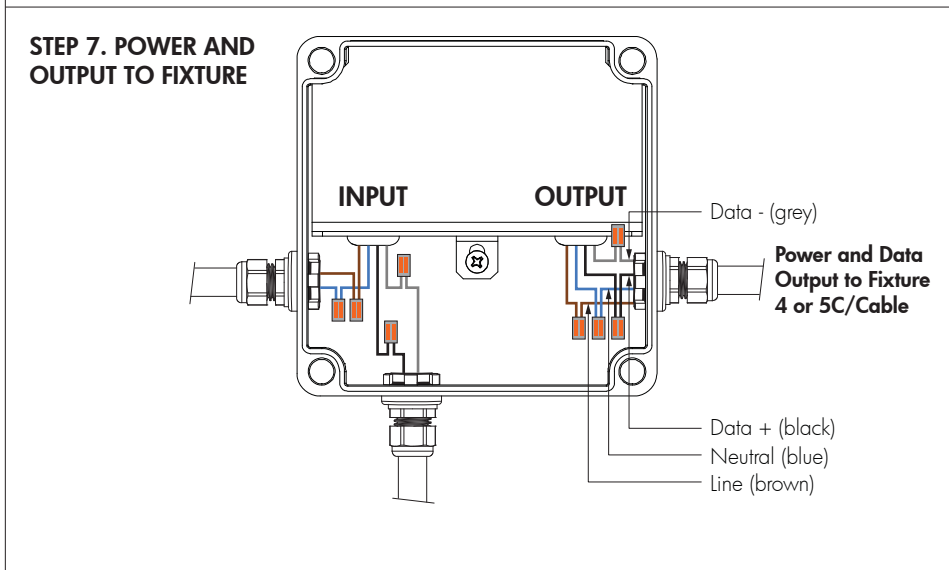
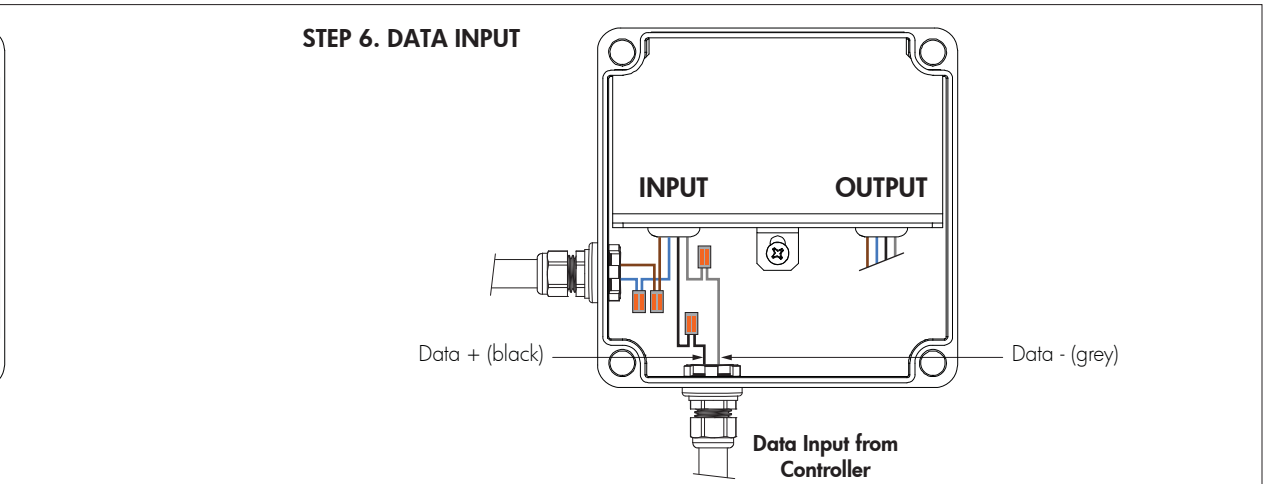
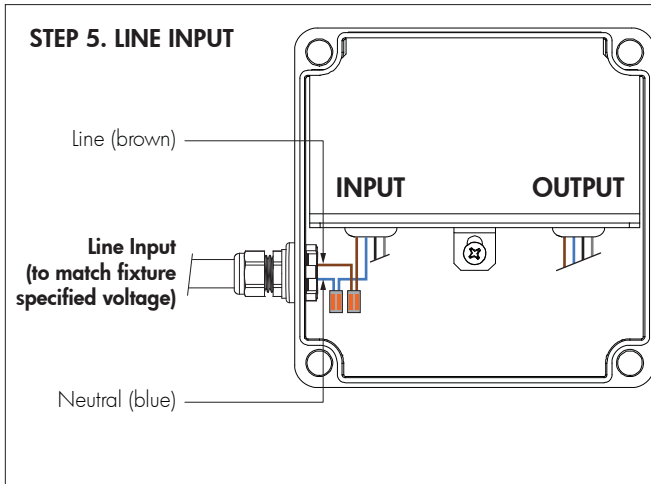
USE M6 ANCHORING BOLTS THAT ARE APPROPRIATE FOR USE WITH YOUR MOUNTING SURFACE (PROVIDED BY INSTALLING CONTRACTOR)

STEP 4. REINSTALL POWER SUPPLY MODULE

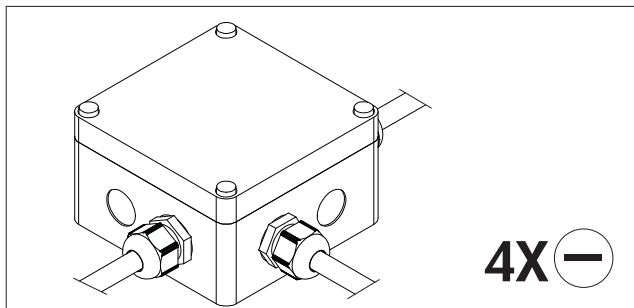
WARNING
TAMPERING WITH OR DISASSEMBLING THE POWER SUPPLY MODULE WILL VOID WARRANTY.

NOTICE
PRE-INSTALL STRAIN RELIEF CONNECTORS OR CONDUIT FOR CONNECTIONS BEFORE REINSTALLING THE POWER SUPPLY MODULE

CONNECTION STEPS



STEP 8. CLOSE BOX



AS INSTALLED - TYPICAL WIRING DIAGRAM

