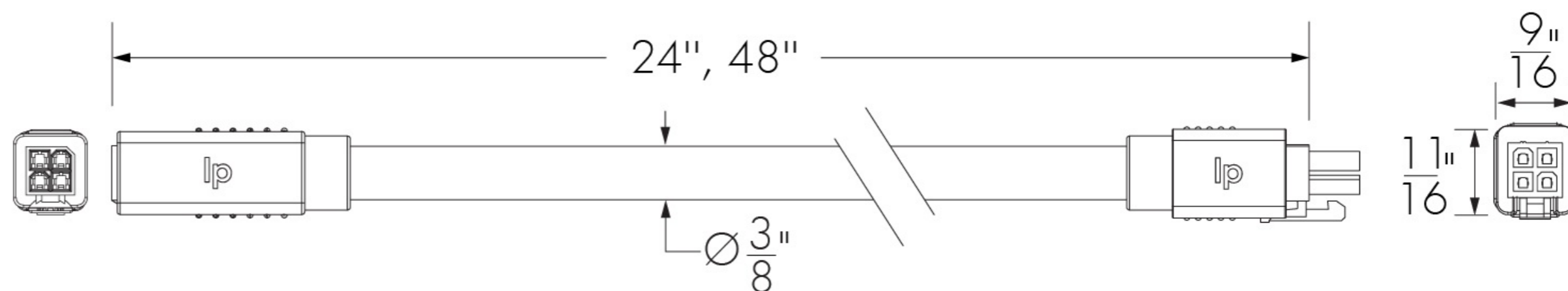
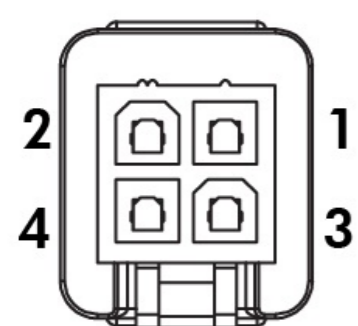


Project Name _____ Qty _____

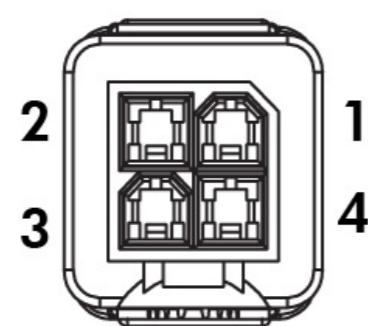
Type _____ Catalog / Part Number _____



Pin detail



Male connector
(female pins)



Female connector
(Female pins)

Wiring color code

PIN ID	UL Color code	USE
1	Black	Line
2	White	Neutral
3	Red	Data +
4	Orange	Data -

Certifications



Features

Length	2 ft, 4 ft
Warranty	5-year limited warranty

Electrical and control

Voltage	300 volts
Connectors	Thumb latch connectors (breakable under load), Male connector (female pin), Female connector (female pins)
Fixture Cable and Connector Color	White
Conductors	4 conductors 16AWG (4 x 1,5 mm ²)
Control	On/Off control, 0-10V dimming, DMX control, DALI dimming

Environmental

Storage Temperature	-4 °F to 167 °F
Operating Temperature	-4 °F to 149 °F
Environment	Indoor applications only

How to order

1	2	3	4

1 . Housing

LCN2JC	Lumencove Nano 2.0 Jumper Cable
---------------	---------------------------------

2 . Certification

UL	UL compliant ⁽¹⁾
CE	CE compliant

⁽¹⁾ Consult European specification sheet for CE pin detail.

3 . Length

2FT	2 ft
4FT	4 ft

4 . Cable Color

WH	White ⁽¹⁾
-----------	----------------------

⁽¹⁾ Cable is provided with a white connector.