

drawing number 128745



This product must be installed in accordance with applicable national and local electrical and construction codes by a person familiar with the construction and operation of the product and the hazards involved. Failure to comply with the following installation instructions will void the warranty and may result in death or serious injury. The limited 10 year warranty is valid if the product is operated in an ambient environment that does not exceed 25 °C. Otherwise, our limited 5 year warranty shall apply.

Dry/damp location
Operating temperatures:
0°C to 50°C [32F to 122F]
100,000 hours L70 @ 25°C
THD < 20%

⚠ WARNING

SEPARATION OF FIELD INSTALLED POWER LIMITED CIRCUIT (DIMMING/CONTROL) WIRING FROM THE BRANCH CIRCUIT WIRING IN THE OUTLET BOX ARE TO BE MADE IN ACCORDANCE WITH LOCAL AND/OR NATIONAL ELECTRICAL INSTALLATION CODES.

⚠ WARNING

DISCONNECT POWER BEFORE INSTALLING OR SERVICING TO AVOID ELECTRICAL SHOCK.

⚠ WARNING

INPUT VOLTAGE MUST STAY WITHIN +/- 10% OF THE FIXTURE SPECIFIED VOLTAGE.

⚠ WARNING

RISK OF ELECTRIC SHOCK. THE LIGHT SOURCE CONTAINED IN THIS FIXTURE SHALL ONLY BE REPLACED BY THE MANUFACTURER OR HIS SERVICE AGENT OR A SIMILAR QUALIFIED PERSON.

⚠ WARNING

DO NOT USE IF FIXTURE, PARTS OR CONNECTORS ARE DAMAGED.

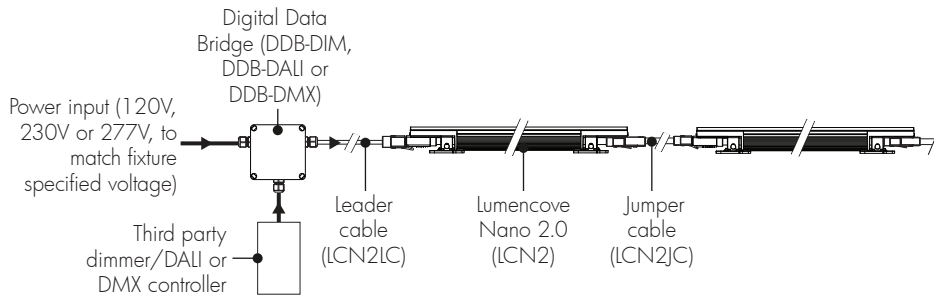
CAUTION

UNAUTHORIZED FIELD REPAIRS WILL VOID WARRANTY.

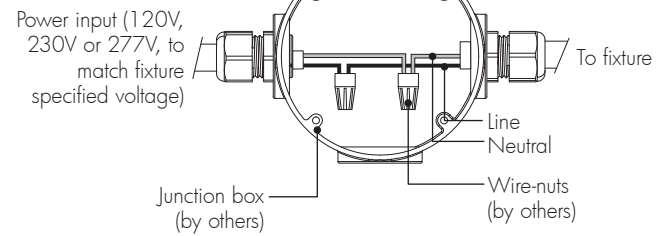
WIRING DIAGRAM

0-10V, DALI or DMX DIMMING (Digital Data Bridge required)

Consult the Digital Data Bridge Installation Instructions and LCN2 specification sheet for details.



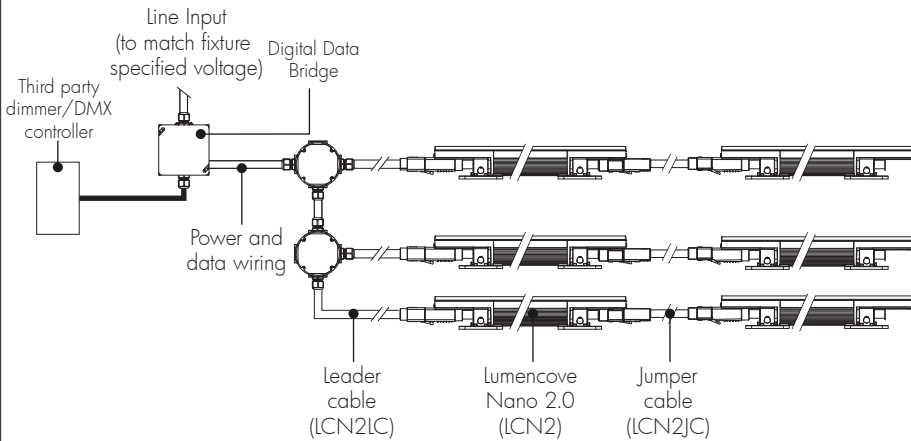
ON/OFF CONTROL



American Color Code	CE Color Code	USE
Black	Brown	Line
White	Blue	Line/Neutral
Red	Black	Data +
Orange	Grey	Data -

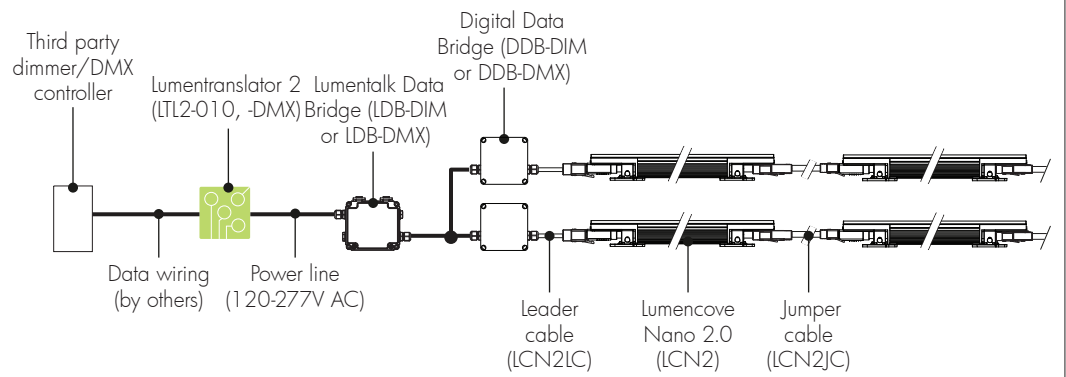
Alternate Wiring Diagram with Digital Data Bridge

Consult the Digital Data Bridge Installation Instructions and LCN2 specification sheet for details.

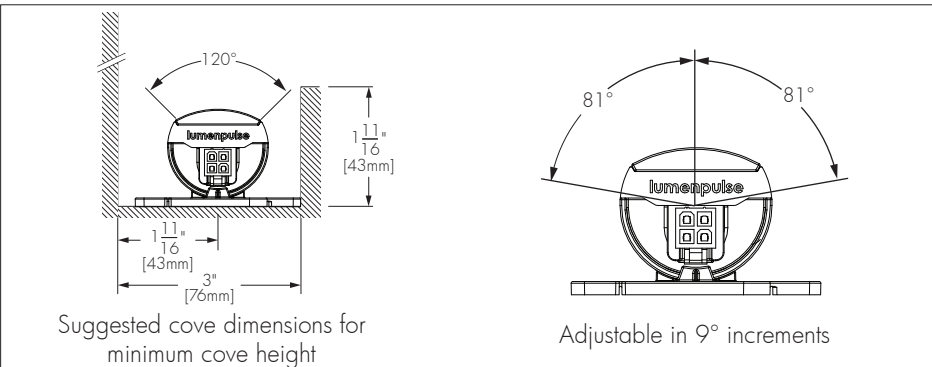


LUMENTALK (Lumentranslator 2, Lumentalk Data Bridge and Digital Data Bridge required)

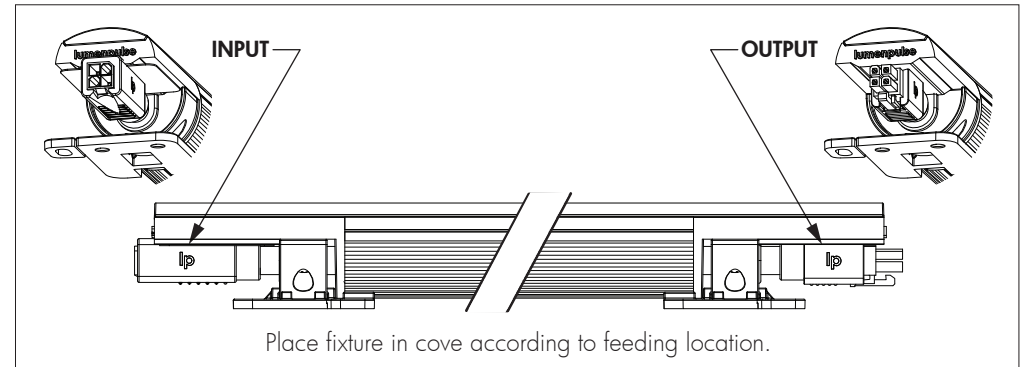
Consult the Lumentalk Data Bridge and Digital Data Bridge Installation Instructions and LCN2 specification sheet for details.



PRODUCT DETAIL



IDENTIFY FIXTURE'S INPUT

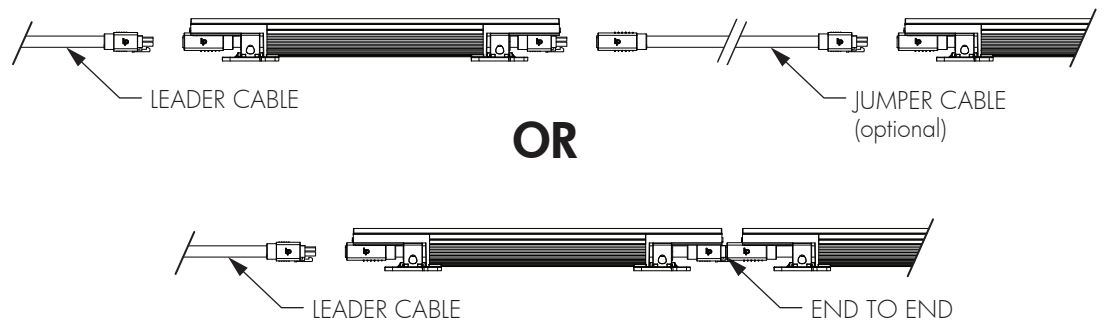


CONNECT FIXTURES

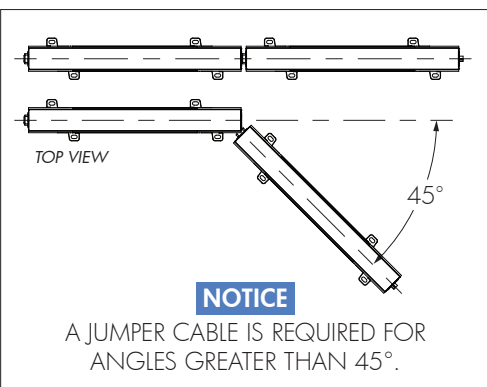
Maximum run length - lumencove® nano 2.0 RO & HO			
Cable length/Voltage	120V	230V	277V
10ft or 25ft leader cable	150ft	300ft	

Maximum run length using lumentalk data bridge lumencove® nano 2.0 RO & HO			
Cable length/Voltage	120V	230V	277V
10ft or 25ft leader cable	150ft		

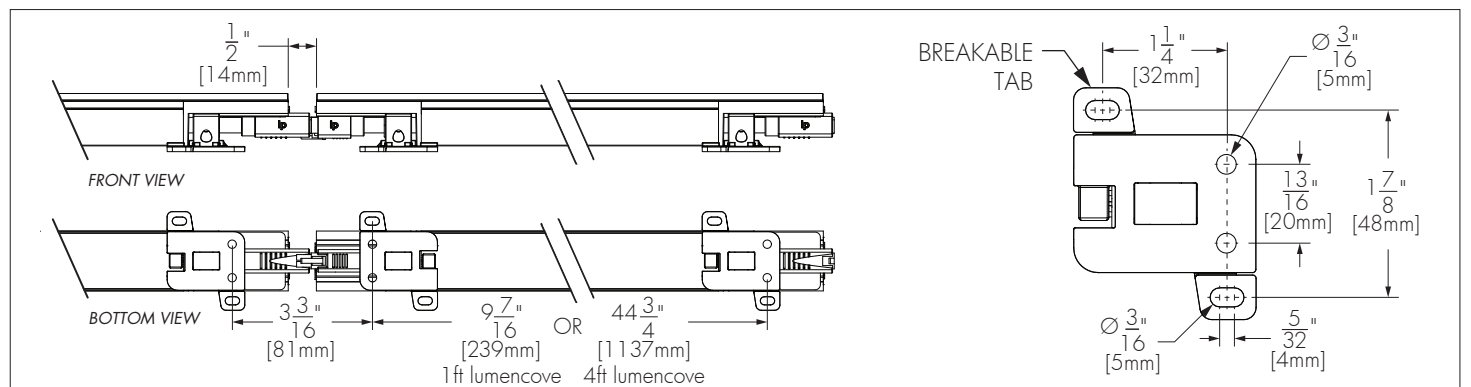
Maximum wire length between Digital Data Bridge and 1st fixture in run is 100ft [30m] assuming 16AWG wire is used.



MAXIMUM ANGLE ADJUSTMENT



MOUNTING HOLE DETAIL



lumenbin™, a proprietary binning method, guarantees color temperature consistency within a 2-step MacAdam ellipse.

lumendrive™ removes the need for power supplies, providing greater efficiency, smaller size and a lifetime no longer restricted by third-party components.



This product must be installed in accordance with applicable national and local electrical and construction codes by a person familiar with the construction and operation of the product and the hazards involved. Failure to comply with the following installation instructions will void the warranty and may result in death or serious injury. The limited 10 year warranty is valid if the product is operated in an ambient environment that does not exceed 25 °C. Otherwise, our limited 5 year warranty shall apply.

INSTALL FIXTURES

OR

BREAK OFF TABS ON MOUNTING PLATE. ROTATE FIXTURE TO ACCESS MOUNTING HOLES.

NOTICE
4FT FIXTURES MOUNTED TO CEILINGS MAY SAG DOWNWARD.

WARNING
USE SCREWS THAT ARE APPROPRIATE FOR USE WITH YOUR MOUNTING SURFACE (COUNTERSUNK HEAD SUGGESTED, BY OTHERS)

NOTICE
DO NOT OVER TIGHTEN FASTENERS. HIGH TORQUE WILL BREAK BRACKET.

4X **#10 (M5)**

ADJUST BEAM ORIENTATION

CAUTION
DO NOT LOOK INTO BEAM.
VARIATION IN LED INTENSITY MAY BE VISIBLE TO THE NAKED EYE.