

# INSTALLATION INSTRUCTIONS

drawing number 109793

# lumenline™ 2

RECESSED T-BAR  
DIRECT LIGHTING  
REGRESSED LENS DIRECT LIGHTING



**This product must be installed in accordance with applicable national and local electrical and construction codes by a person familiar with the construction and operation of the product and the hazards involved. Failure to comply with the following installation instructions may result in death or serious injury.**

## ⚠ WARNING

SEPARATION OF FIELD INSTALLED POWER LIMITED CIRCUIT (DIMMING/CONTROL) WIRING FROM THE BRANCH CIRCUIT WIRING IN THE OUTLET BOX ARE TO BE MADE IN ACCORDANCE WITH LOCAL AND/OR NATIONAL ELECTRICAL INSTALLATION CODES.

## ⚠ WARNING

DISCONNECT POWER BEFORE INSTALLING OR SERVICING TO AVOID ELECTRICAL SHOCK.

## ⚠ WARNING

DO NOT EXCEED FIXTURE SPECIFIED VOLTAGE.

## ⚠ WARNING

DO NOT USE IF FIXTURE, PARTS OR CONNECTORS ARE DAMAGED.

## CAUTION

UNAUTHORIZED FIELD REPAIRS WILL VOID WARRANTY

## OPTICS GUIDELINES

### DIRECT LIGHTING - WIDE FLOOD

SYMMETRICAL DISTRIBUTION, NO SPECIFIC ORIENTATION REQUIRED.

INSTALL ACCORDING TO STEPS 1-6.

### DIRECT LIGHTING - NARROW FLOOD\*

\*NOT AVAILABLE FOR REGRESSED LENS FIXTURES OR RGB

SYMMETRICAL DISTRIBUTION, NO SPECIFIC ORIENTATION REQUIRED.

INSTALL ACCORDING TO STEPS 1-6.

## CAUTION

LOUVERS ARE FRAGILE, HANDLE WITH CARE THROUGHOUT THE INSTALLATION.

ALWAYS WEAR CLEAN LATEX OR COTTON GLOVES TO AVOID SPOTS OR FINGERPRINT MARKS ON THE LOUVERS AND TO PROTECT THE REFLECTORS DURING HANDLING.

### DIRECT LIGHTING - TRUE ASYMMETRIC WALLWASH\*

\*NOT AVAILABLE FOR REGRESSED LENS FIXTURES OR RGB

#### REFLECTOR LABEL

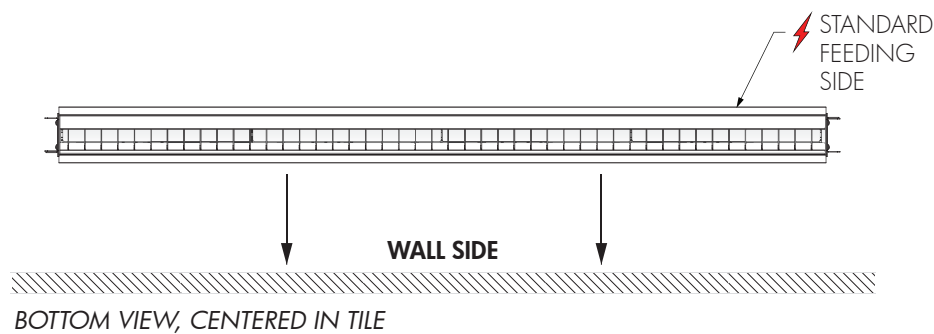


THE WALL SIDE OF THE REFLECTOR IS IDENTIFIED WITH A "WALL" LABEL.

POSITION THE REFLECTOR IN THE LUMENLINE HOUSING ACCORDING TO THE WALL SIDE OF YOUR INSTALLATION.

## NOTICE

ALWAYS POSITION LOUVER BLADES TOWARD THE WALL.



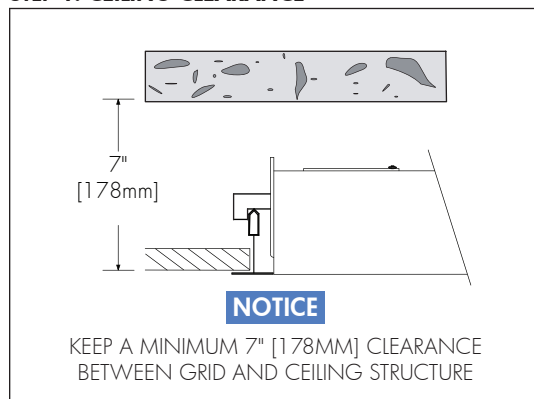
## CAUTION

LOUVERS ARE FRAGILE, HANDLE WITH CARE THROUGHOUT THE INSTALLATION.

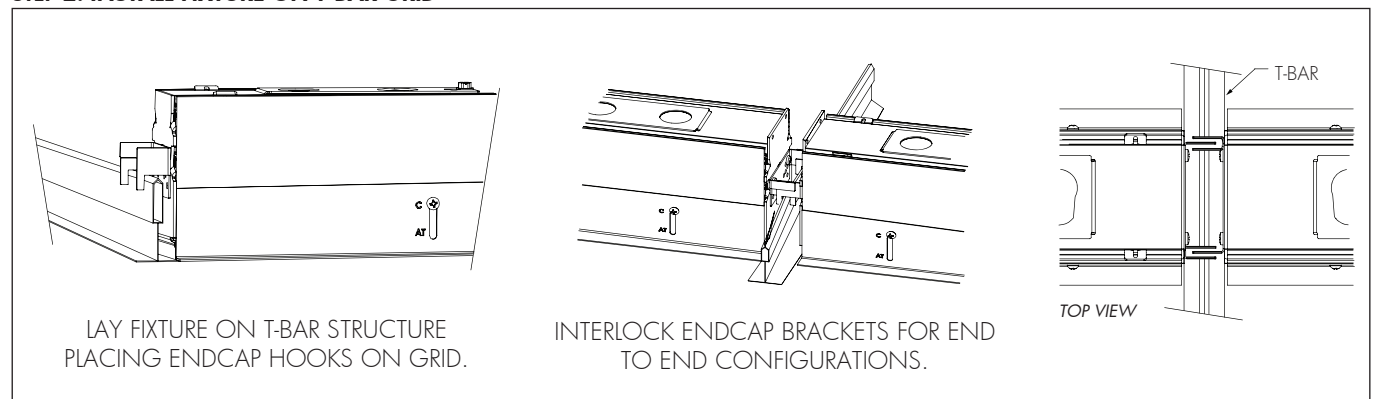
ALWAYS WEAR CLEAN LATEX OR COTTON GLOVES TO AVOID SPOTS OR FINGERPRINT MARKS ON THE LOUVERS AND TO PROTECT THE REFLECTORS DURING HANDLING.

INSTALL ACCORDING TO STEPS 1-6.

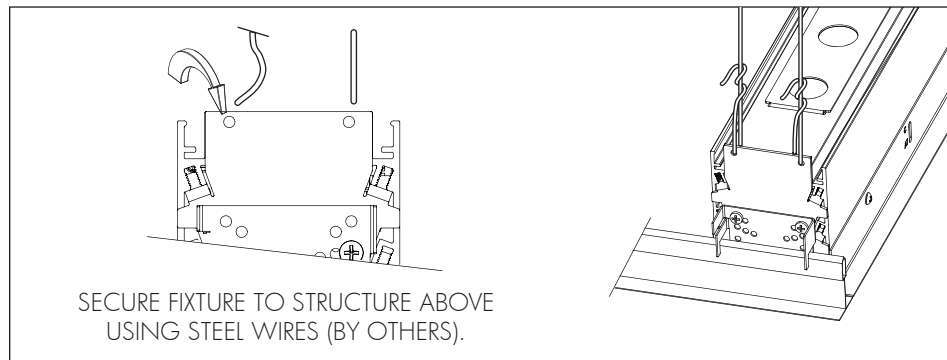
### STEP 1. CEILING CLEARANCE



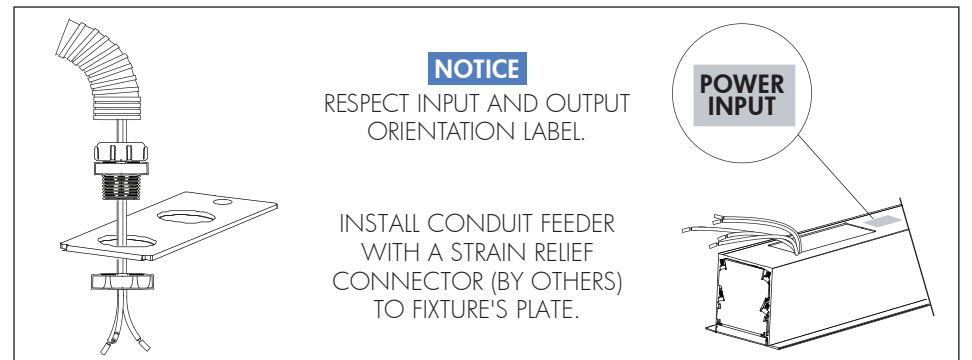
### STEP 2. INSTALL FIXTURE ON T-BAR GRID



### STEP 3. INSTALL SAFETY STEEL WIRES



### STEP 4. INSTALL CONDUIT



lumenbin™, a proprietary binning method, guarantees color temperature consistency within a 2-step MacAdam ellipse.

lumentalk™ lumennear™ Combine lumentranslator 2 with lumentalk-enabled luminaires housing Lumenpulse's proprietary lumenear control card to build your Lumentalk system.



**This product must be installed in accordance with applicable national and local electrical and construction codes by a person familiar with the construction and operation of the product and the hazards involved. Failure to comply with the following installation instructions may result in death or serious injury.**

## STEP 5. MAKE ELECTRICAL CONNECTIONS

**ON/OFF CONTROL**

Power input or from previous fixture

Line  
Ground  
Neutral

Wire-nuts (by others)

**LUMENTALK**

Power input (control over power line via Lumentalk system) or from previous fixture

Line  
Ground  
Neutral

Wire-nuts (by others)

**0-10V DIMMING  
DALI DIMMING  
LUTRON® ECOSYSTEM® ENABLED DIMMING**

From third party controller (dimmer, DALI or Lutron® EcoSystem® controller)

Power input or from previous fixture

Line  
Ground  
Neutral  
0-10V -  
0-10V +

Wire-nuts (by others)

**DMX/RDM**

From CBX or previous fixture

Line  
Ground  
Neutral  
Data -  
Data +

Wire-nuts (by others)

### Wiring Color Code

UL Color Code	CE Color Code	USE
Green	Yellow/Green	Ground
Black	Brown	Line 100-347V
White	Blue	Neutral
Red/Purple	Black	0-10V / Data +
Orange	Grey	0-10V / Data -

Lumentalk and RGB options not available with 347V.

### DMX/Data Cable Specification

DMX Cable from Controller to CBX and CBX to CBX shall adhere to ANSI E1.11 – 2008 (r2013) – Entertainment Technology – USITT DMX512-A, Asynchronous Serial Digital Data Transmission Standard for Controlling Lighting Equipment and Accessories. At minimum DMX Cable shall be 1-Pair (24 AWG, 7x32 Stranding) Twisted (minimum of 4.8 twists/foot), Shielded, minimum of 100 ohms Impedance, and <25 pF/ft. Capacitance.

### Combined Power & Data Cable Specification

Fixture cabling from CBX to Fixtures shall be installed per NEC and Local Codes. All conductors shall be of the same size and minimum of 16 AWG annealed stranded bare copper per ASTM B-174 and must be a minimum of 26/30 and capable of handling 8 amps.

## STEP 6. CHAIN ELECTRICAL CONNECTIONS

INSTALL CONDUIT FEEDER WITH A STRAIN RELIEF CONNECTOR (BY OTHERS) TO NEXT FIXTURE'S PLATE.

## COMMISSIONING AND SERVICING

### STEP 1. REMOVE LENSES OR LOUVERS, AND REFLECTOR ASSEMBLIES

TO REMOVE ALL LENSES FROM FIXTURES, USE PROVIDED TOOL.

TO REMOVE ALL LOUVERS FROM FIXTURES, WEAR GLOVES AND GENTLY PULL ON LOUVERS.

TO SIMPLIFY INSTALLATION, KEEP LENSES OR LOUVERS STORED BY FIXTURE TYPE IN A SECURE PLACE. UPON DELIVERY, THE FIXTURE TYPE FOR EACH LENS IS IDENTIFIED WITH A COLORED LABEL.

SINGLE

1ST

MID

END

**NOTICE**

STORE REFLECTORS, LENSES AND LOUVERS BY FIXTURE TYPE IN A SECURE PLACE.

**BOTTOM VIEW**

PUSH SPRING CLIPS AT FIXTURE'S END TO RELEASE REFLECTOR ASSEMBLY.

DISCONNECT AND REMOVE REFLECTOR ASSEMBLIES.

**NOTICE**

REFER TO THE OPTICS GUIDELINES ON PAGE 1 BEFORE INSTALLING REFLECTOR ASSEMBLIES AND LENSES OR LOUVERS.

### STEP 2. REPLACE REFLECTOR ASSEMBLIES

**NOTICE**

RECORD THE LOCATION OF EACH FIXTURE BY SERIAL NUMBER ON REFLECTOR TO PREPARE FOR THE COMMISSIONING PROCESS (DMX/RDM).

REINSTALL AND CONNECT REFLECTOR ASSEMBLIES IN FIXTURE HOUSING. MAKE SURE TO EVENLY SPACE REFLECTOR ASSEMBLIES.

CONNECT POWER AND DATA QUICK CONNECT CABLE ASSEMBLIES.

### STEP 3. INSTALL LENS OR LOUVER

**WARNING**

MAKE SURE THE WIRES ARE NOT PINCHED BY REFLECTOR COMPONENTS.

REINSTALL LENS OR LOUVER.

**NOTICE**

HANDLE ALL LOUVERS WITH GLOVES.

TO ALLOW FOR MATERIAL EXPANSION, USE THE LENS REMOVAL TOOL TO CREATE A SMALL GAP BETWEEN THE LENS OR LOUVER AND ENDCAP.

BE SURE TO MATCH THE FIXTURE TYPE WITH THE LENS TYPE (AS IDENTIFIED BY THE COLORED LABEL). THE LENSES MUST BE INSTALLED FLUSH WITH THE BOTTOM OF THE HOUSING. REMOVE LENS LABELS TO COMPLETE INSTALLATION.