

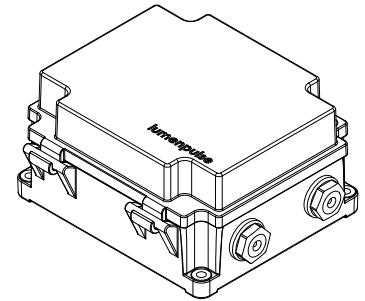
Client _____ Project name _____

Order# _____ Type _____ Qty _____

FEATURES AND BENEFITS

Physical

- Die-cast aluminum enclosure
- Two compartments: base for connections and cover for electronics
- Wall partition for separation of circuits
- Hinged cover with safety cables
- Electro-statically applied polyester powder coat finish
- Power input, 1/2" provision holes for 1/2" NPT, PG16 or 20mm
- One output, 1/2" provision hole for 1/2" NPT, PG16 or 20mm
- Mounting detail on the bottom of the box
- Operating temperatures: -25°C to 50°C [-13F to 122F]
- Storage temperatures: -40°C to 85°C [-40F to 185F]
- Weight: 1.70 kg / 3.75 lbs
- Suitable for indoor and outdoor applications, IP66
- Corrosion-resistant coating for marine environments



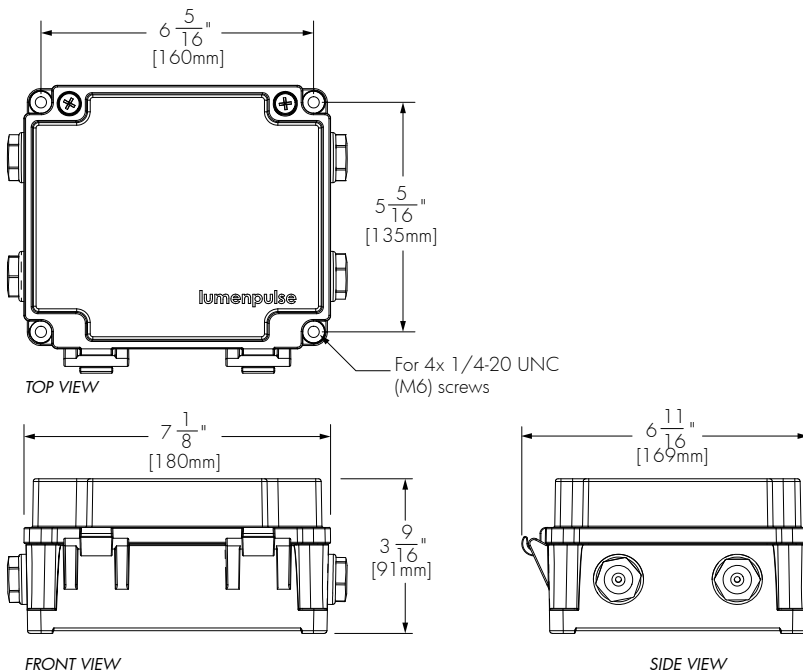
Electrical

- 100-277V input
- Input through lumentalk control system: Triac, 0-10V, and DMX
- Output: DMX or 0-10V (Sink/Source, 20mA max)

*Strain relief connectors and cables by others.

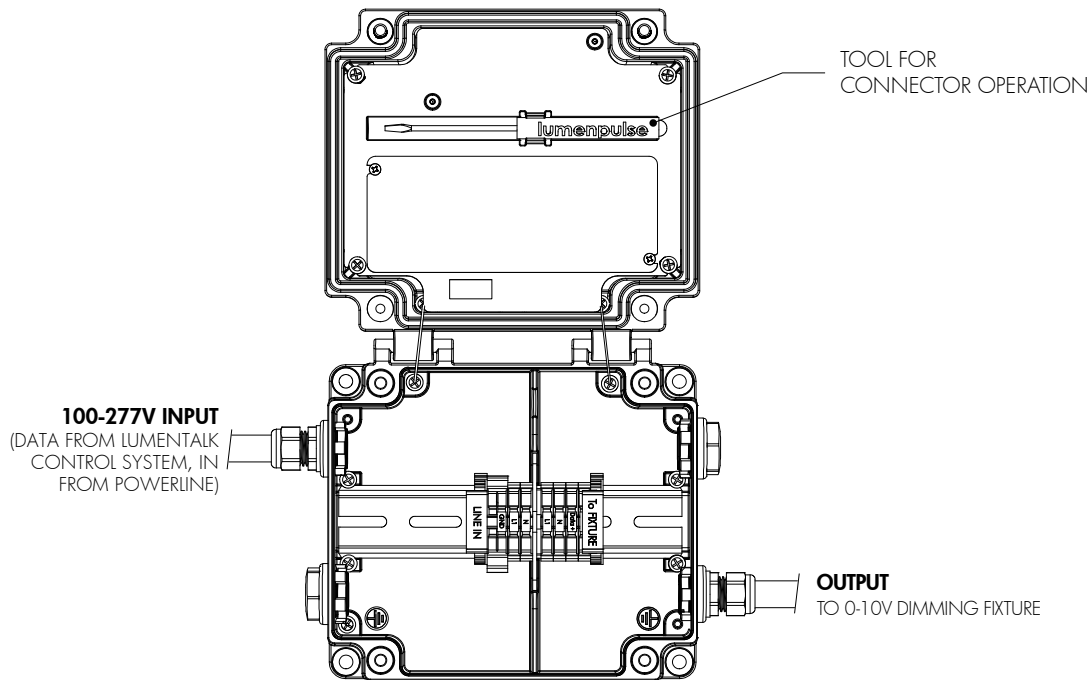
* 1/2" NPT hole plugs included for use with UL listed watertight strain relief connectors by others

Seal all possible water entry points with RTV silicone (pressure glands, conduit).
Sealing compound by others.

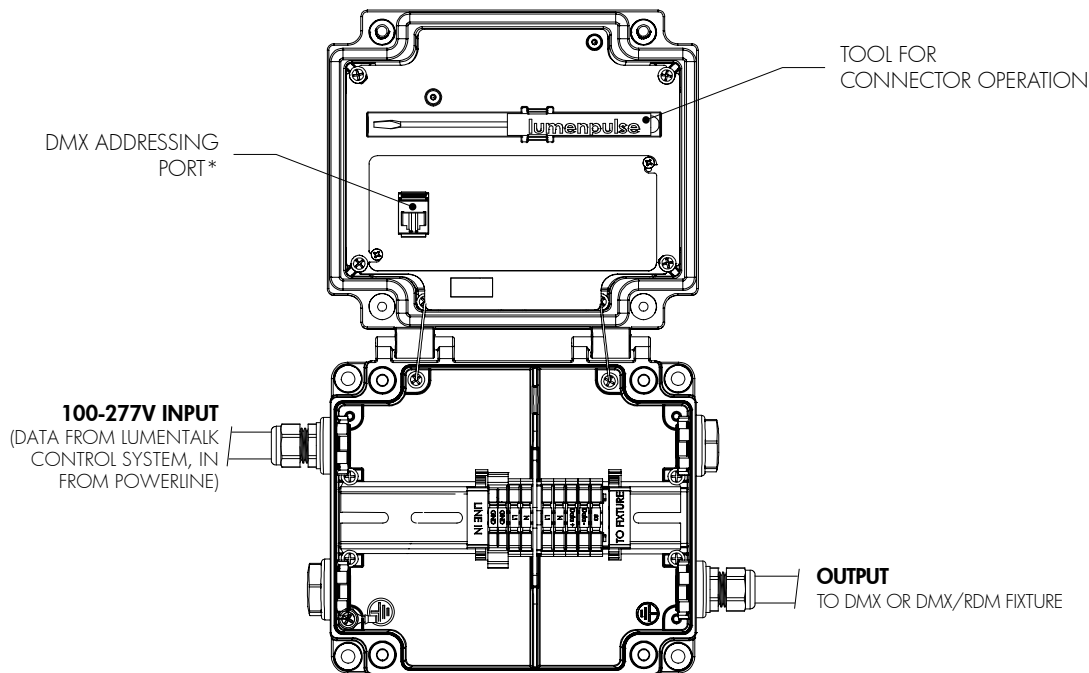


TYPICAL LAYOUT

0-10V OUTPUT CONFIGURATION



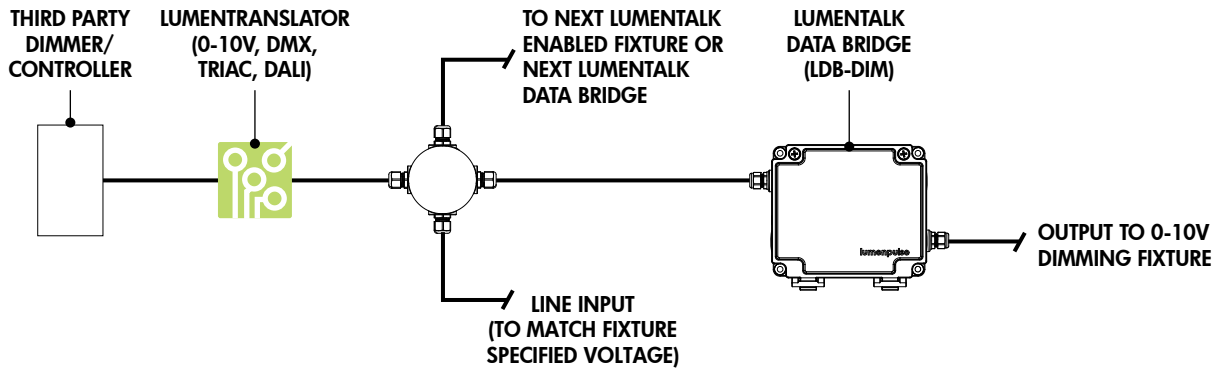
DMX OUTPUT CONFIGURATION



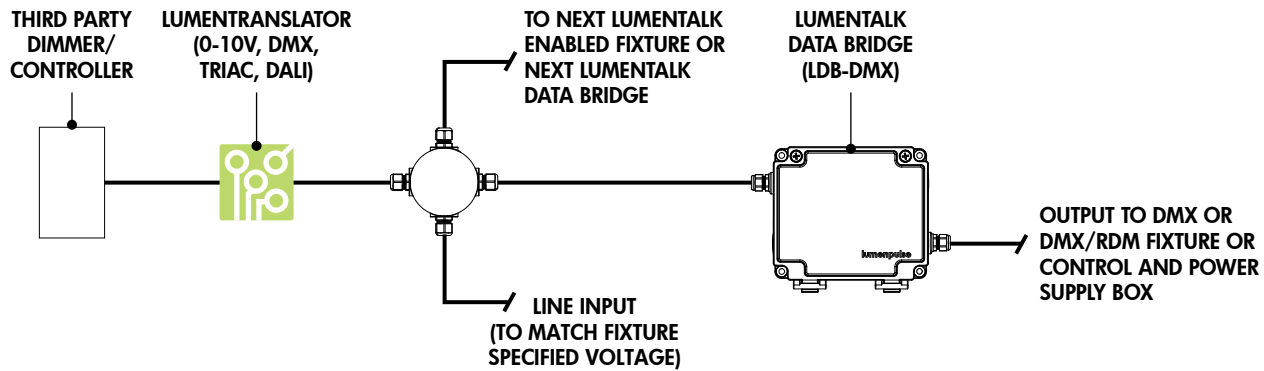
*2-step commissioning process: 1 - DMX/RDM system using LumenID software and a LID, 2- Lumentalk system using LumentalkID software and a LID-LT. Consult factory for details.

TYPICAL WIRING DIAGRAM

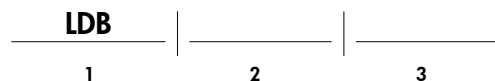
0-10V OUTPUT CONFIGURATION



DMX OUTPUT CONFIGURATION



HOW TO ORDER

**1** |**Housing:**

LDB - Lumentalk Data Bridge box enabling compatibility with TRIAC, 0-10V and DMX control signals

2 |**Output Control Signal:**

DIM - 0-10V dimming

DMX - DMX control

3 |**Finish:**

BK - Black Sandtex

BRZ - Bronze Sandtex

SI - Silver Sandtex

WH - Smooth white

CC - Custom color and finish (please specify RAL color)¹

Notes:

¹ North American RAL colors specified with RAL number only are provided with a smooth/high-gloss finish. Please consult factory for other RAL textures and glosses, or to match alternate color charts. Final color matching results may vary.