

# MOUNTING INSTRUCTIONS

drawing number 106093

**lumenfacade™**

HORIZONTAL  
WHITE & STATIC COLORS  
RGB



**This product must be installed in accordance with applicable national and local electrical and construction codes by a person familiar with the construction and operation of the product and the hazards involved. Failure to comply with the following installation instructions may result in death or serious injury.**

**⚠ WARNING**

DO NOT USE IF FIXTURE, PARTS OR CONNECTORS ARE DAMAGED.

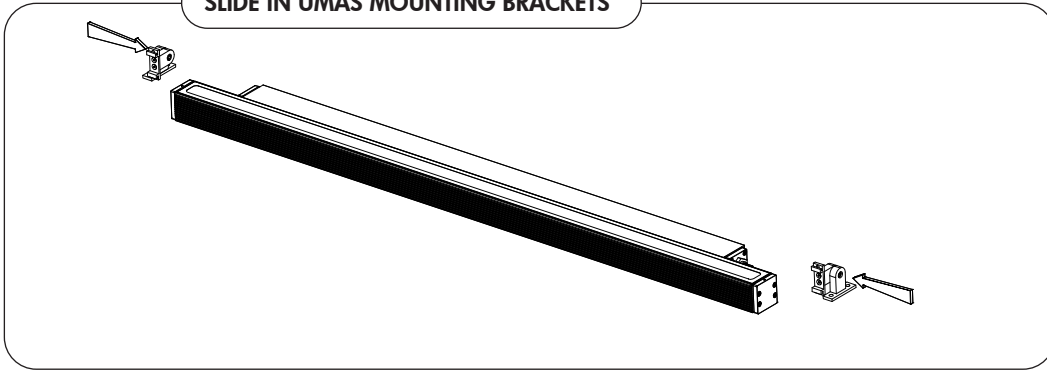
**⚠ WARNING**

DO NOT EXCEED FIXTURE SPECIFIED VOLTAGE.

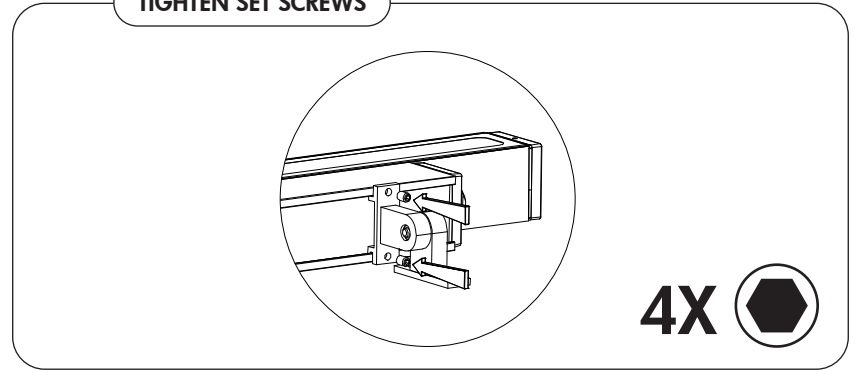
**CAUTION**

UNAUTHORIZED FIELD REPAIRS WILL VOID WARRANTY

**SLIDE IN UMAS MOUNTING BRACKETS**



**TIGHTEN SET SCREWS**



**SCREW ONTO MOUNTING SURFACE**

**⚠ WARNING**  
USE 1/4" FASTENERS (4X BY OTHERS) THAT ARE APPROPRIATE FOR USE WITH YOUR MOUNTING SURFACE

LOOSEN SCREWS SLIGHTLY TO ADJUST LIGHT BEAM ORIENTATION AND RE-TIGHTEN TO SECURE

**⚠ CAUTION**  
DO NOT LOOK INTO BEAM.

**2X**

**OR**

**SLIDE IN WAM MOUNTING BRACKETS**

**TIGHTEN SET SCREWS**

**SCREW ONTO MOUNTING SURFACE**

**⚠ WARNING**  
USE 1/4" FASTENERS (4X BY OTHERS) THAT ARE APPROPRIATE FOR USE WITH YOUR MOUNTING SURFACE

**⚠ CAUTION**  
DO NOT LOOK INTO BEAM.

LOOSEN NUTS & BOLTS SLIGHTLY TO ADJUST LIGHT BEAM ORIENTATION AND RE-TIGHTEN TO SECURE

**OR**

**SLIDE IN UMP MOUNTING BRACKETS**

**TIGHTEN SET SCREWS**

p.1/2

Lumenpulse, 1751 Richardson, Suite 1505, Montreal (Quebec) Canada H3K 1G6 1.877.937.3003 P. 514.937.3003 F. 514.937.6289  
info@lumenpulse.com www.lumenpulse.com  
Copyright © Lumenpulse 2011

Lumenpulse reserves the right to make changes to this product and related instructions at any time without prior notice and such changes shall be effective immediately. See www.lumenpulse.com/support/downloads for current data and instructions.

**lumenpulse™**

Sustainable architectural LED lighting systems

# MOUNTING INSTRUCTIONS

drawing number 106093

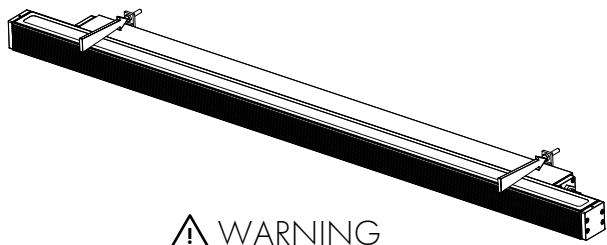
**lumenfacade™**

HORIZONTAL  
WHITE & STATIC COLORS  
RGB

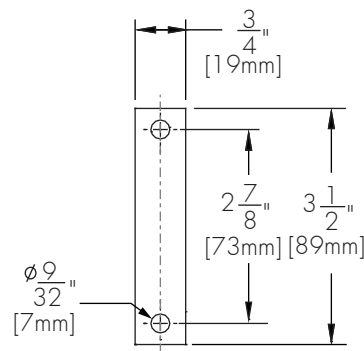
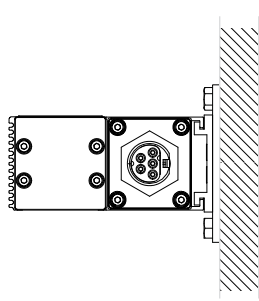


This product must be installed in accordance with applicable national and local electrical and construction codes by a person familiar with the construction and operation of the product and the hazards involved. Failure to comply with the following installation instructions may result in death or serious injury.

## SCREW ONTO MOUNTING SURFACE



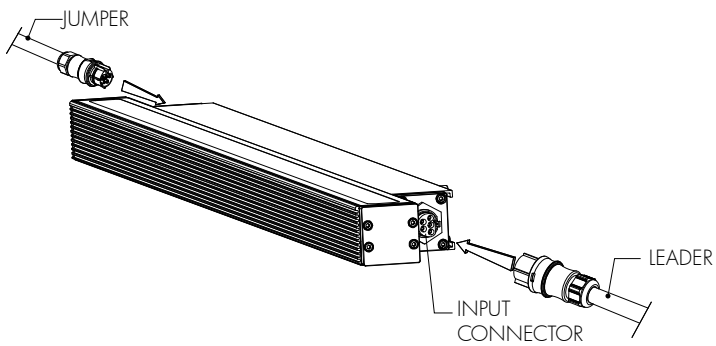
**WARNING**  
USE 1/4" FASTENERS (4X BY OTHERS)  
THAT ARE APPROPRIATE FOR USE WITH  
YOUR MOUNTING SURFACE



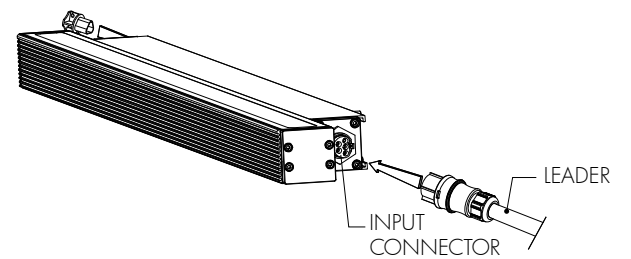
Wiring detail - male connector

PIN ID / WIRE COLOR / USE		
⊕	GREEN	GROUND
N	WHITE	NEUTRAL
1	BLACK	LIVE 120-277V
2	RED	0-10V / DATA +
3	ORANGE	0-10V / DATA -

## CONNECT LEADER AND JUMPER CABLE

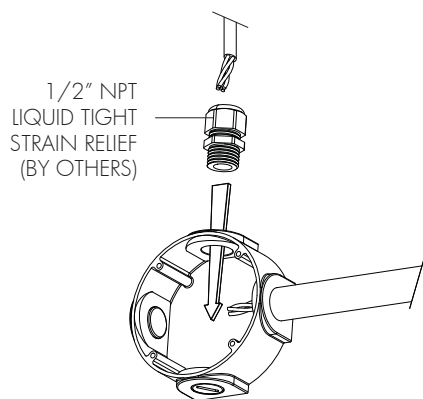


## PUT SEALING CAP ON OPEN FEMALE CONNECTOR (END-OF-RUN)



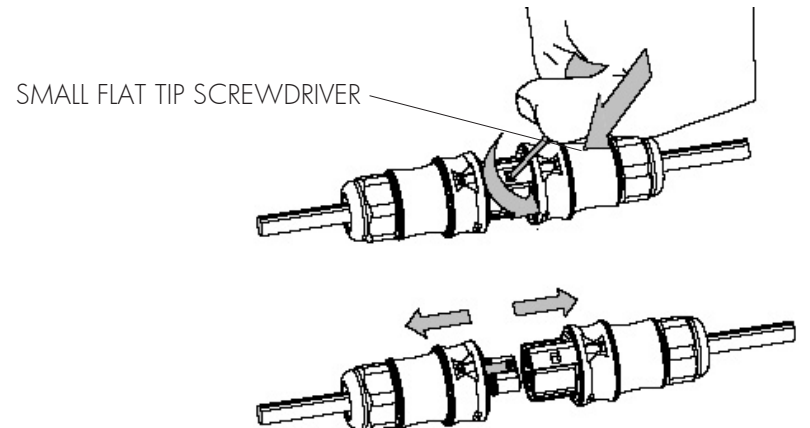
1 SEALING END CAP PROVIDED WITH EACH LEADER CABLE

## CONNECT LEADER CABLE TO J-BOX

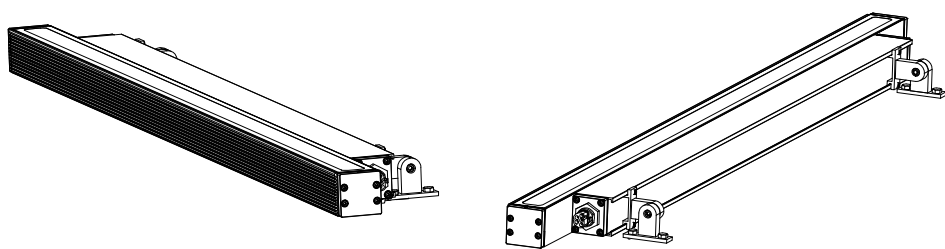


**WARNING**  
DISCONNECT POWER BEFORE INSTALLING OR  
SERVICING TO AVOID ELECTRICAL SHOCK.

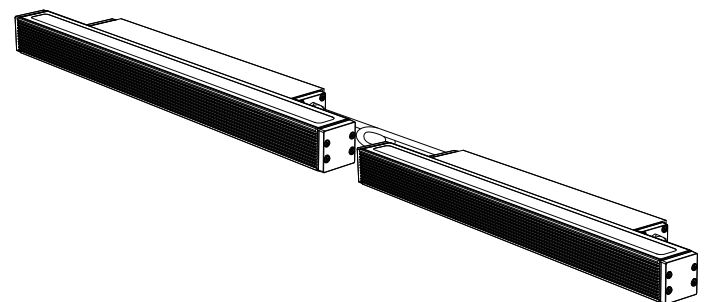
## HOW TO UNLOCK AND DISCONNECT CONNECTORS



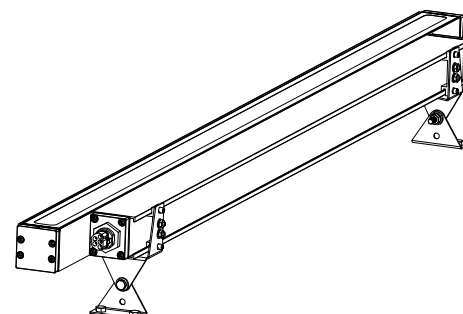
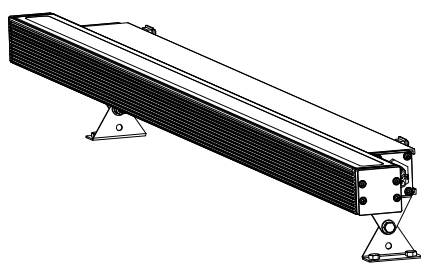
## TYPICAL UMAS INSTALLATION



## TYPICAL ETE INSTALLATION



## TYPICAL WAM INSTALLATION



## TYPICAL UMP INSTALLATION

