



This product must be installed in accordance with applicable national and local electrical and construction codes by a person familiar with the construction and operation of the product and the hazards involved. Failure to comply with the following installation instructions may result in death or serious injury.

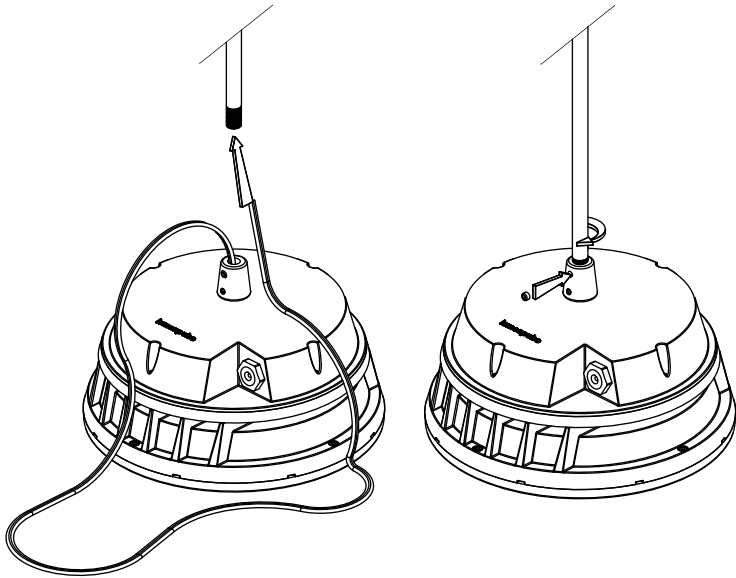
INSTALL STEM

⚠ WARNING

DO NOT USE IF FIXTURE, PARTS OR CONNECTORS ARE DAMAGED.

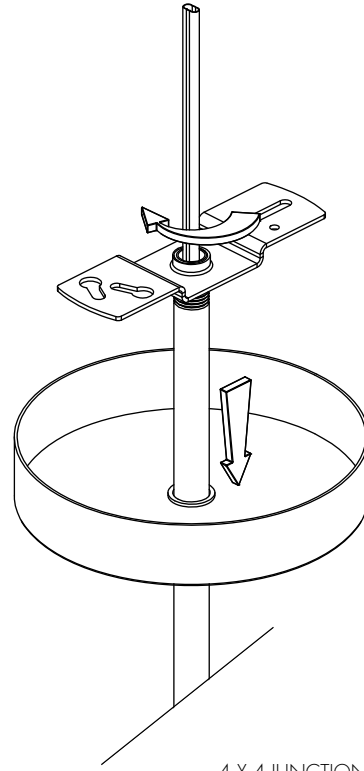
CAUTION

UNAUTHORIZED FIELD REPAIRS WILL VOID WARRANTY



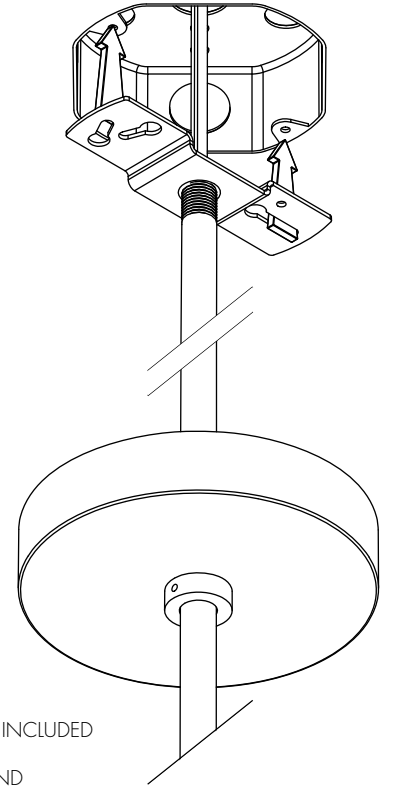
HEX KEY SIZE 1/8"

INSTALL CANOPY



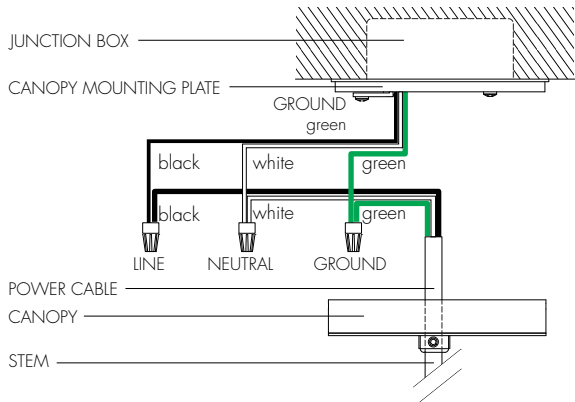
4 X 4 JUNCTION BOX NOT INCLUDED

1 X #8 FLATHEAD AND
2 X 8-32 HARDWARE
NOT INCLUDED

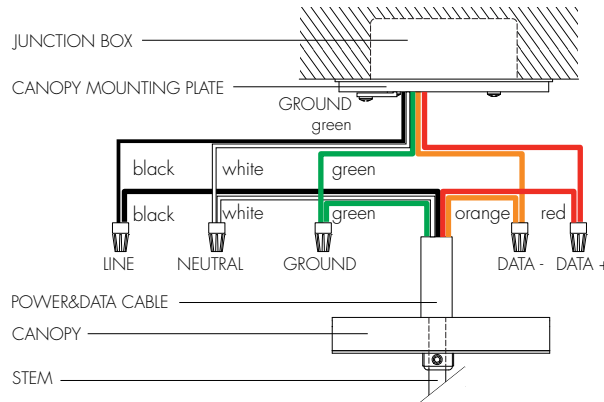


CONNECT WIRES

NON DIMMING



DIMMING / RGB



⚠ WARNING

DO NOT EXCEED FIXTURE SPECIFIED VOLTAGE.

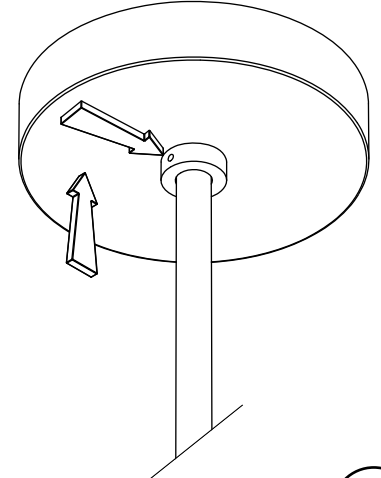
⚠ WARNING

DISCONNECT POWER BEFORE INSTALLING OR SERVICING TO AVOID ELECTRICAL SHOCK.

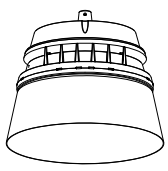
⚠ WARNING

POWER CABLE SHOULD NOT SUPPORT WEIGHT OF LAMP: LEAVE LOOSE

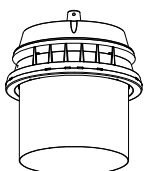
INSTALL CANOPY COVER



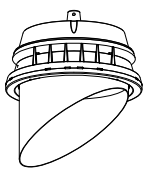
ACCESSORY OPTIONS & INSTALLATION



SNOOT WIDE



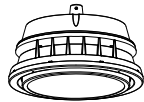
SNOOT



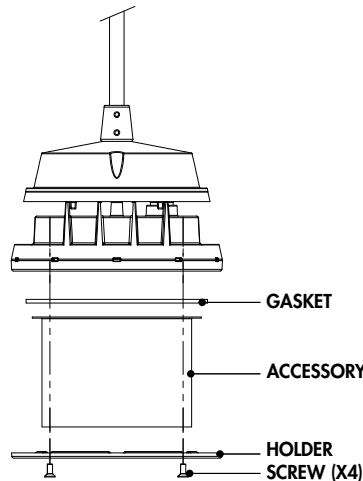
VISOR



WIRE GUARD

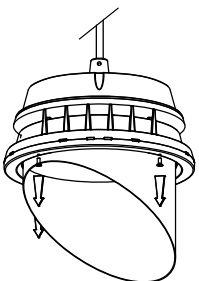


LINEAR SPREAD
LENS ADJUSTABLE

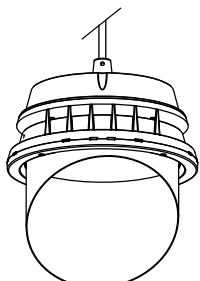


GASKET
ACCESSORY
HOLDER
SCREW (X4)

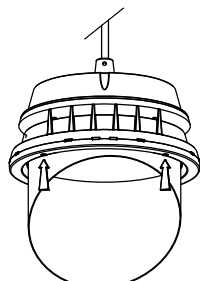
ACCESSORY ADJUSTMENT



REMOVE SCREWS
FROM ACCESSORY



ADJUST ACCESSORY IN
90° INCREMENTS



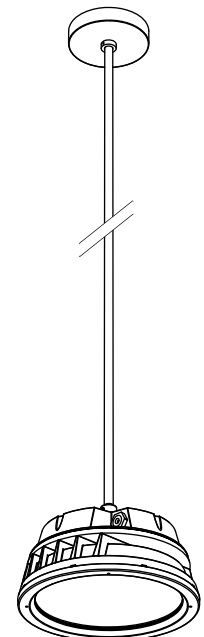
TIGHTEN SCREWS TO
SECURE ASSEMBLY

⚠ CAUTION
DO NOT LOOK INTO BEAM.



4X
HEX KEY SIZE 2.5MM

FINAL VIEW





This product must be installed in accordance with applicable national and local electrical and construction codes by a person familiar with the construction and operation of the product and the hazards involved. Failure to comply with the following installation instructions may result in death or serious injury.

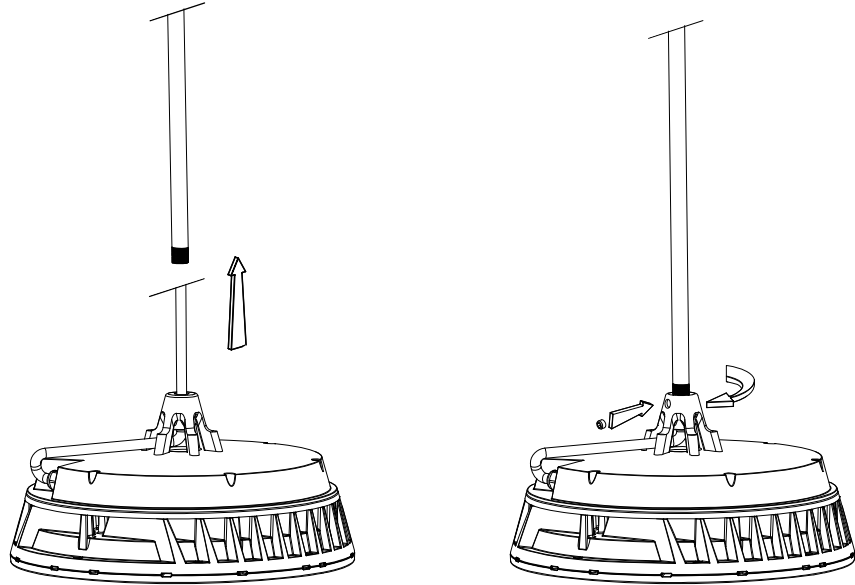
INSTALL STEM

⚠ WARNING

DO NOT USE IF FIXTURE, PARTS OR CONNECTORS ARE DAMAGED.

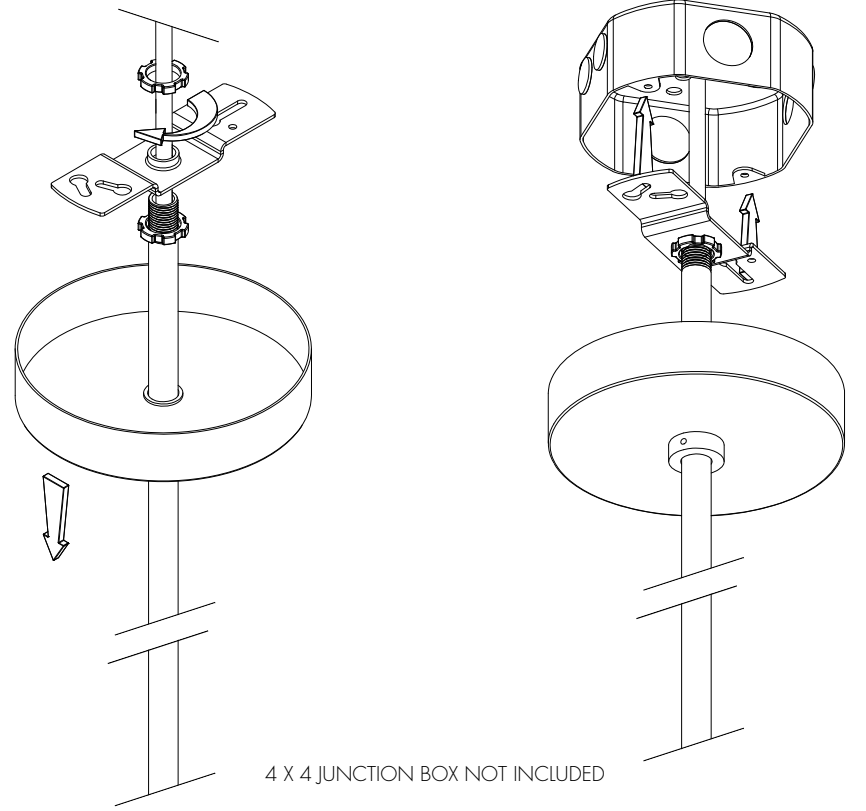
CAUTION

UNAUTHORIZED FIELD REPAIRS WILL VOID WARRANTY



HEX KEY SIZE 2.5MM

INSTALL CANOPY

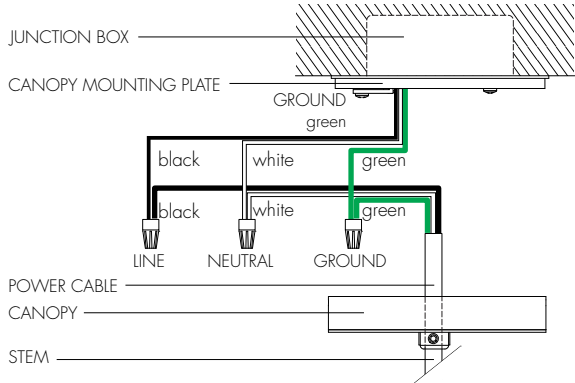


4 X 4 JUNCTION BOX NOT INCLUDED

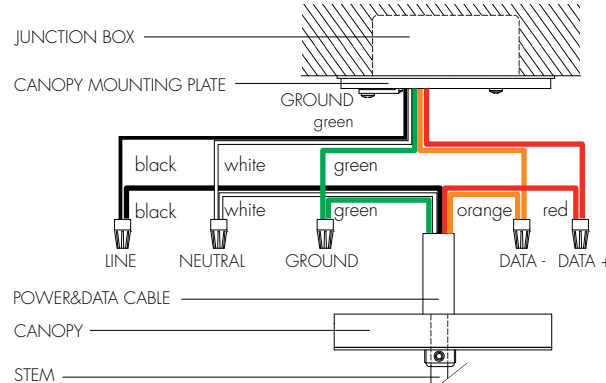
1 X #8 FLATHEAD AND
2 X 8-32 HARDWARE
NOT INCLUDED

CONNECT WIRES

NON DIMMING



DIMMING / RGB



⚠ WARNING

DO NOT EXCEED FIXTURE SPECIFIED VOLTAGE.

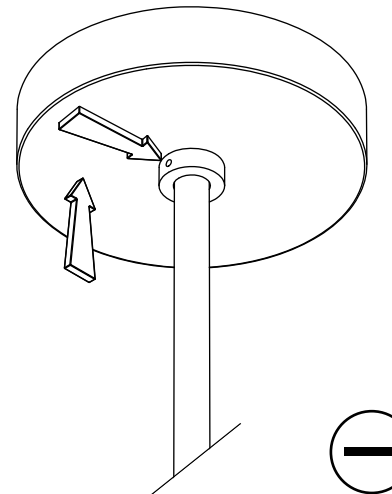
⚠ WARNING

DISCONNECT POWER BEFORE INSTALLING OR SERVICING TO AVOID ELECTRICAL SHOCK.

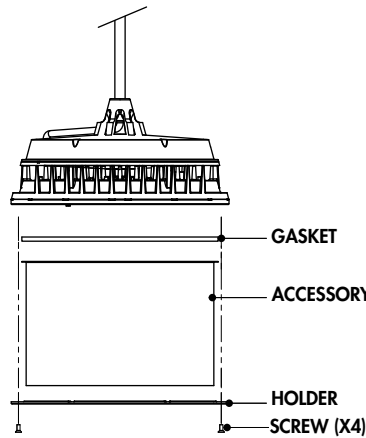
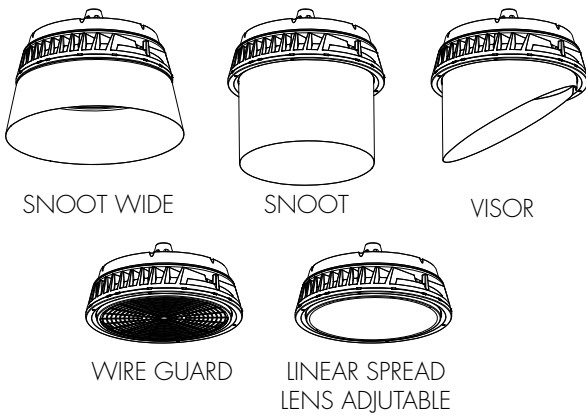
⚠ WARNING

POWER CABLE SHOULD NOT SUPPORT WEIGHT OF LAMP: LEAVE LOOSE

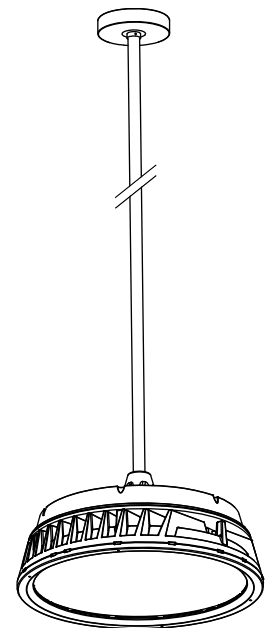
INSTALL CANOPY COVER



ACCESSORY OPTIONS & INSTALLATION



FINAL VIEW



ACCESSORY ADJUSTMENT



⚠ CAUTION
DO NOT LOOK INTO BEAM.

4X **HEX KEY SIZE 2.5MM**