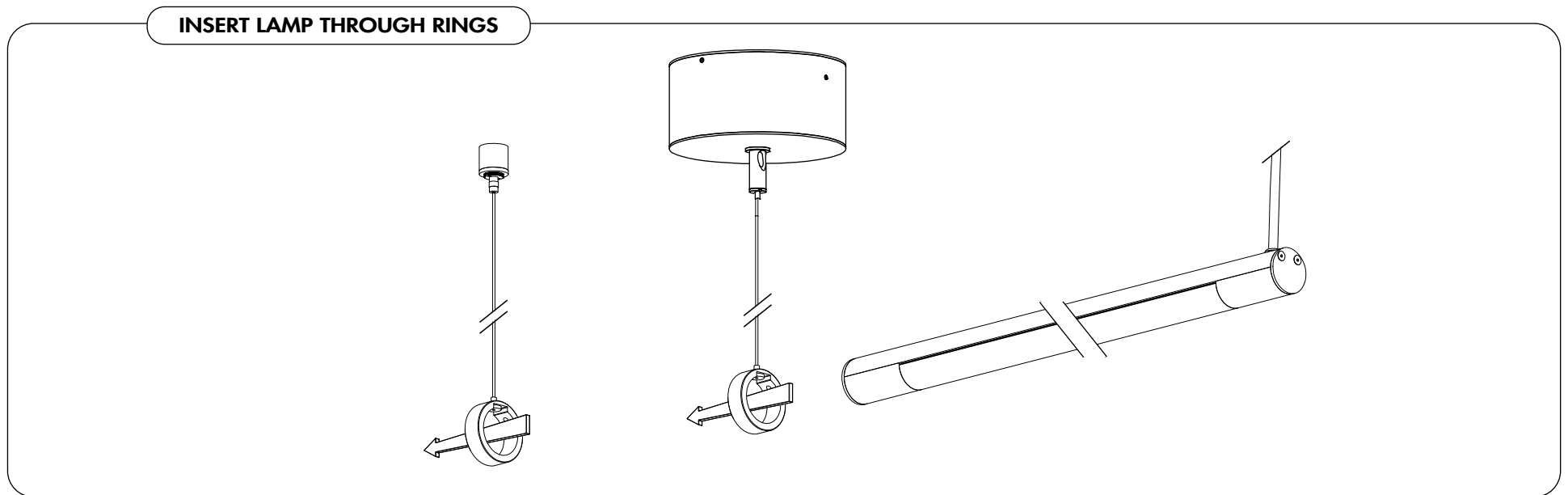
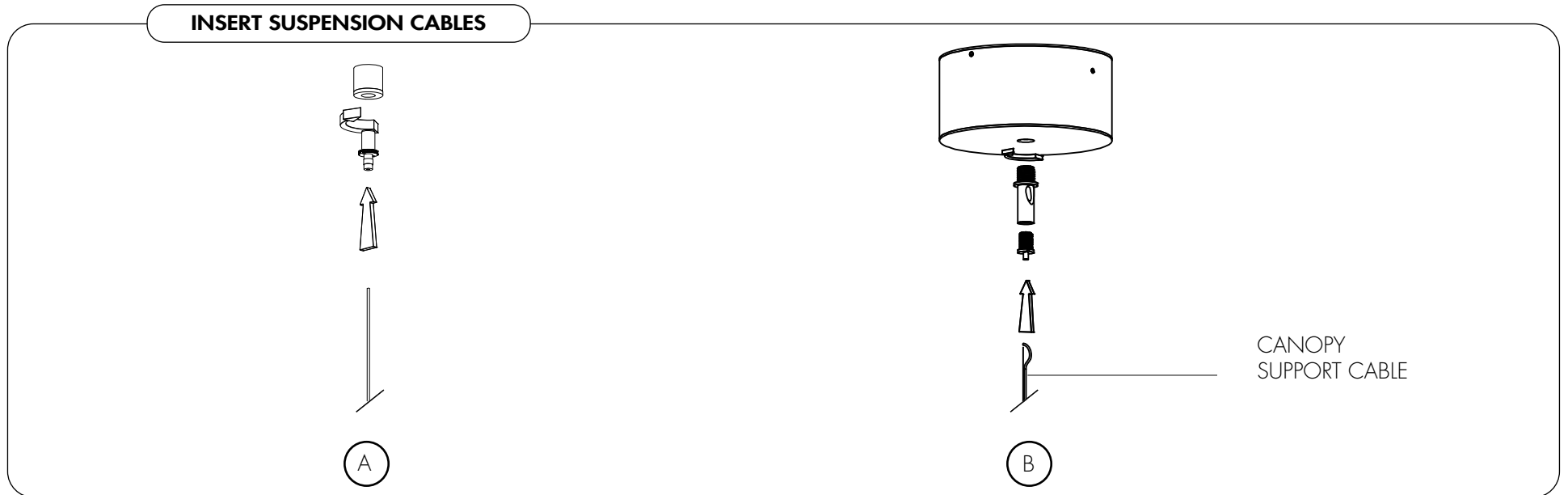
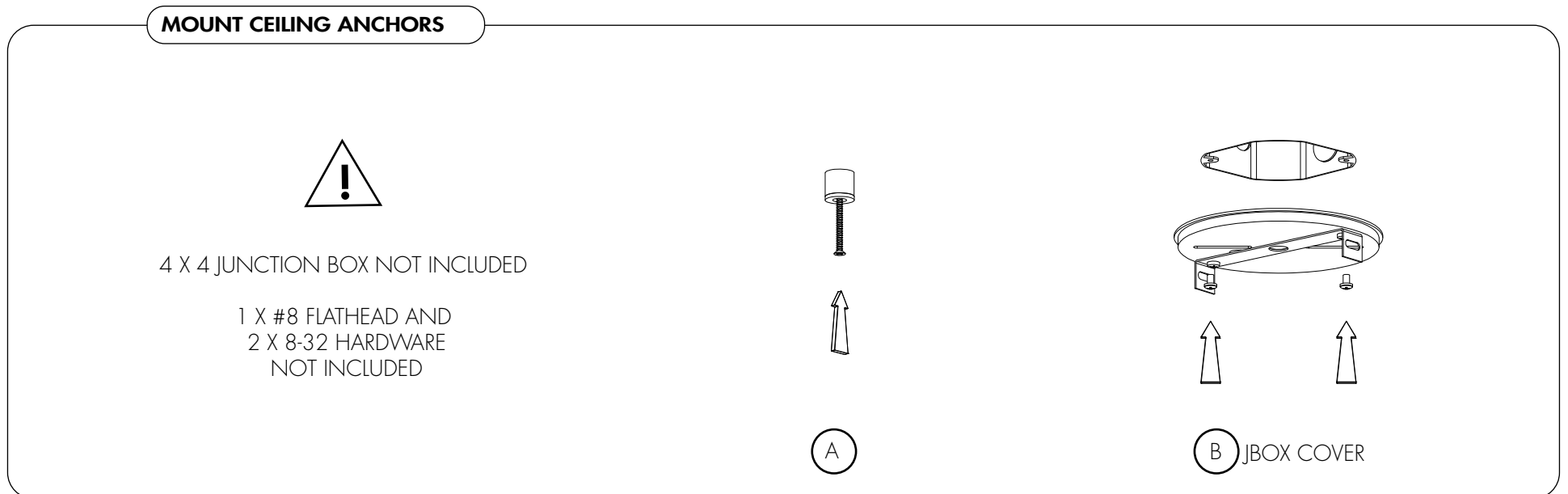
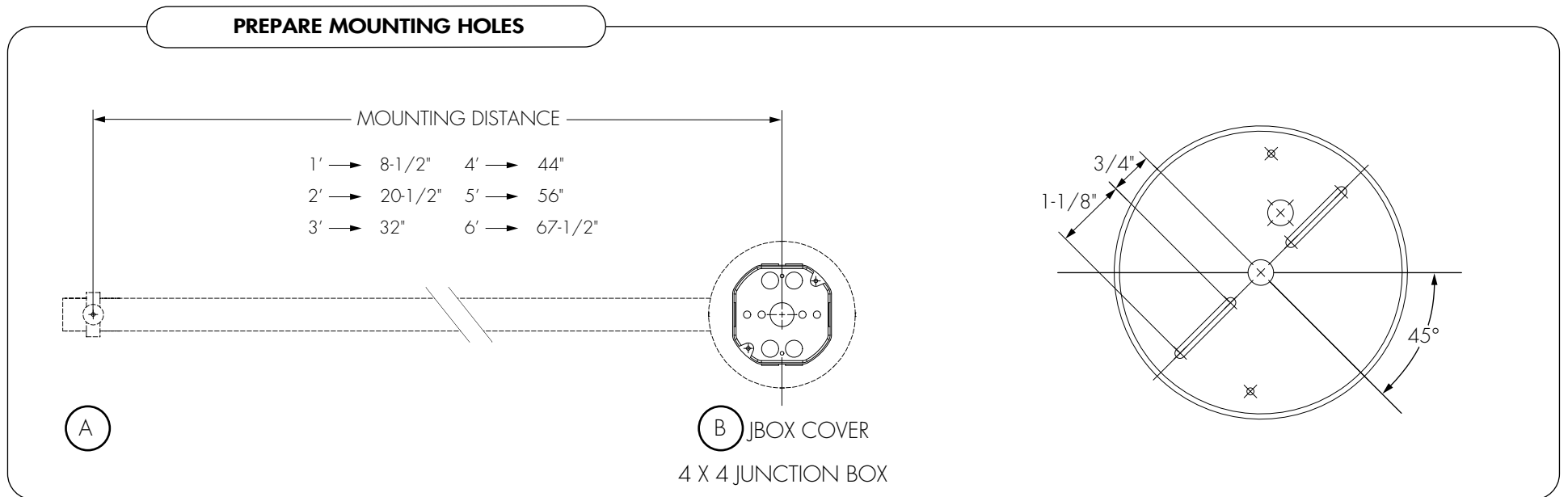


This product must be installed in accordance with the applicable installation code by a person familiar with the construction and operation of the product and the hazards involved.

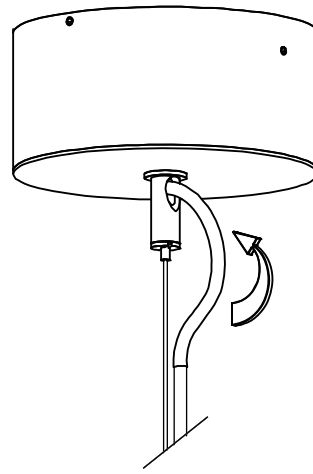


This product must be installed in accordance with the applicable installation code by a person familiar with the construction and operation of the product and the hazards involved.

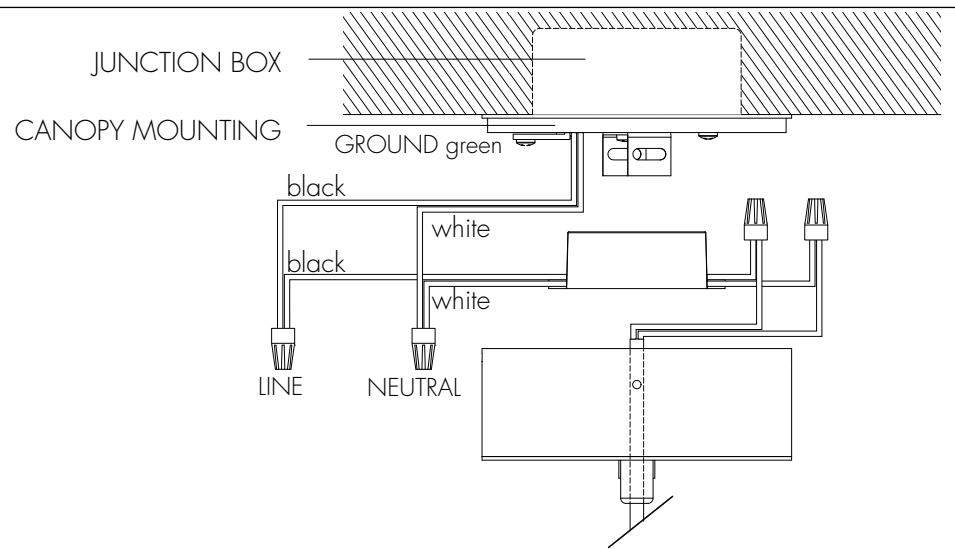
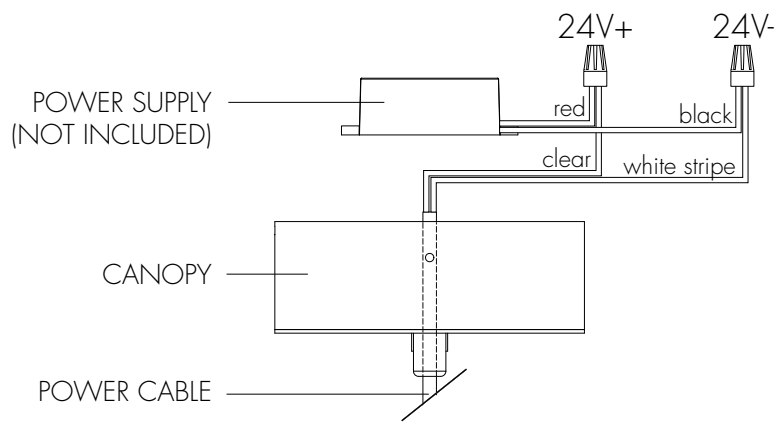
## INSERT POWER CABLE



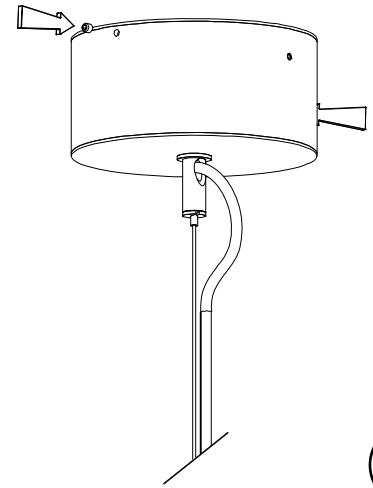
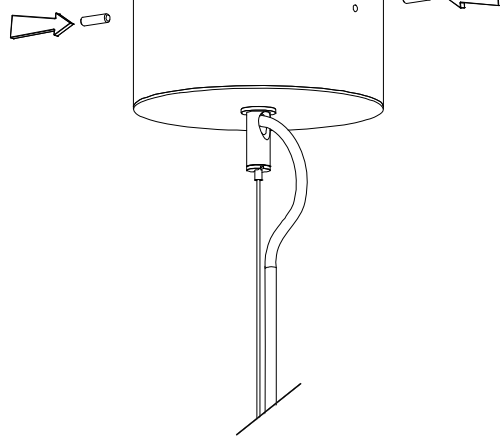
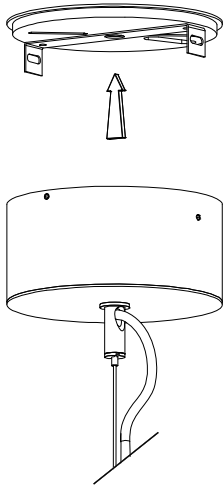
Power cable should not support weight of lamp: leave loose



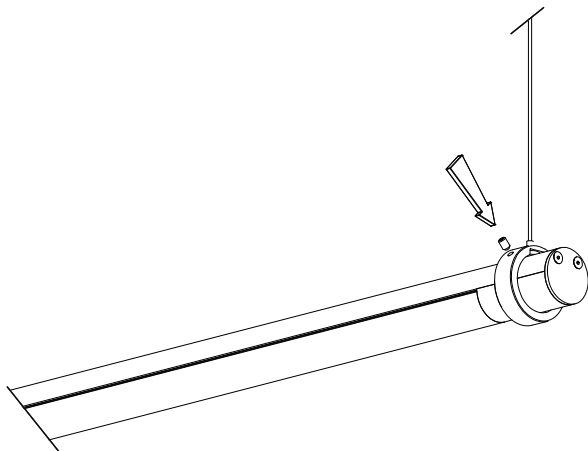
## CONNECT WIRES



## INSTALL CANOPY



## FIX LAMP TO RINGS



## FINAL VIEW

