

MOUNTING INSTRUCTIONS

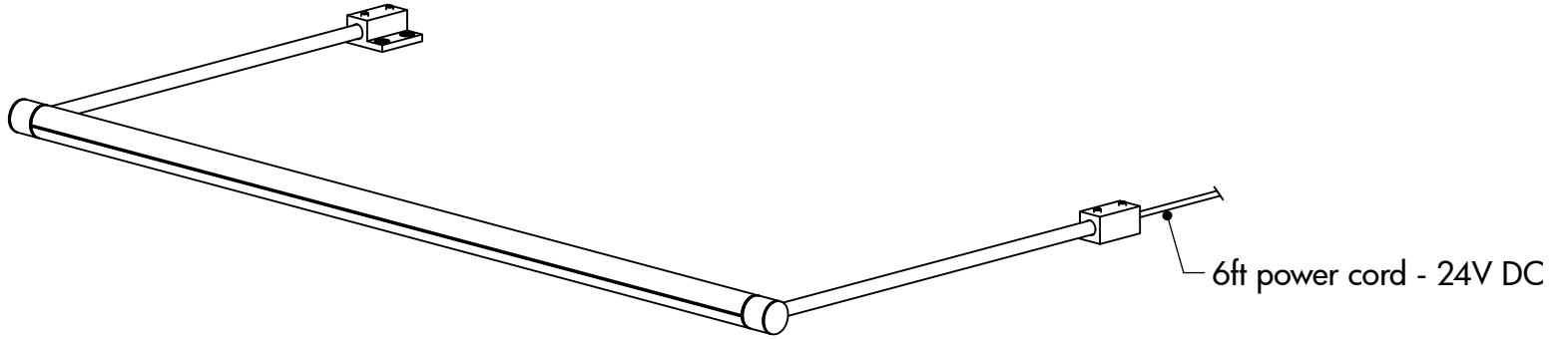
drawing number 103570

lumentube®

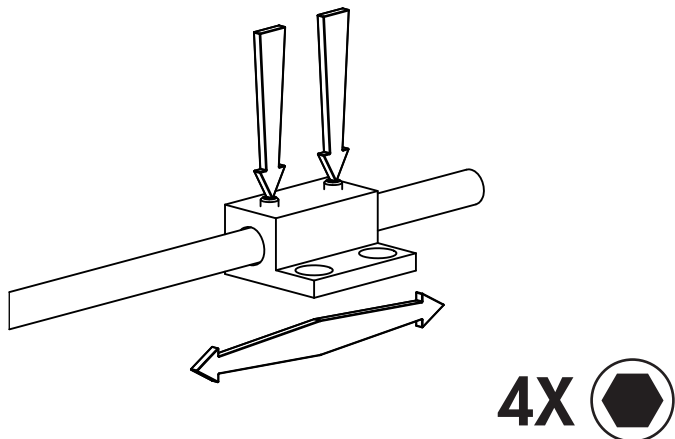
BOOKSHELF

This product must be installed in accordance with the applicable installation code by a person familiar with the construction and operation of the product and the hazards involved.

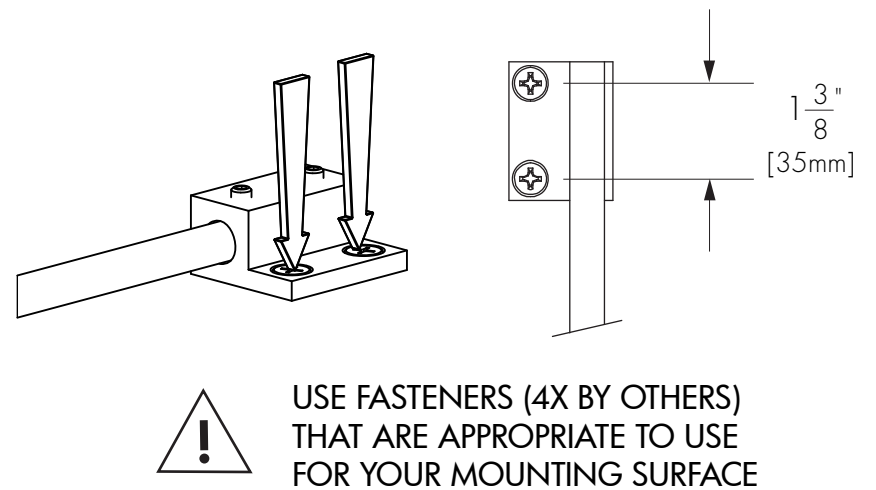
LIGHT FIXTURE



POSITION BRACKET IN DESIRED POSITION AND TIGHTEN SET SCREWS (BOTH SIDES) TO SECURE IN PLACE

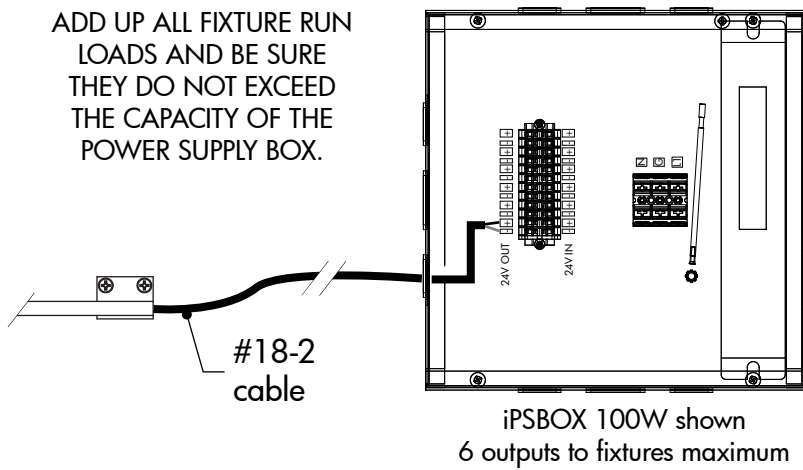


INSTALL LUMENTUBE ASSEMBLY AND SCREW ONTO MOUNTING SURFACE

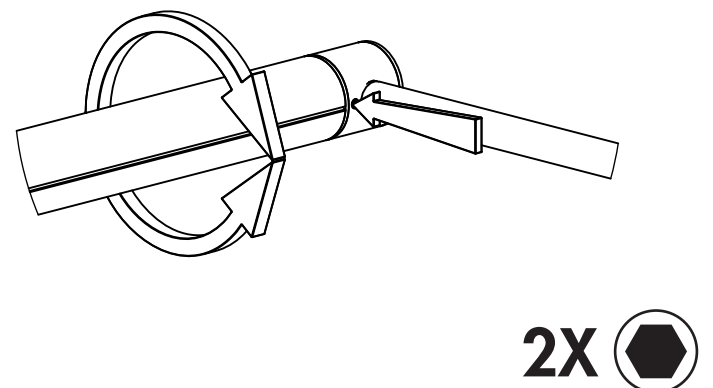


CONNECT TO POWER SUPPLY or POWER SUPPLY BOX

ADD UP ALL FIXTURE RUN LOADS AND BE SURE THEY DO NOT EXCEED THE CAPACITY OF THE POWER SUPPLY BOX.



LOOSEN SET SCREWS (ONE PER SIDE) TO ADJUST LIGHT BEAM ORIENTATION ($\pm 90^\circ$) AND RE-TIGHTEN TO SECURE IN PLACE



FINAL VIEW



DO NOT APPLY ANY LOAD ON ASSEMBLY OR IT MAY FALL, CAUSING PERSONAL INJURY OR EQUIPMENT DAMAGE. NOT DESIGNED TO SUPPORT WEIGHT.

