

MOUNTING INSTRUCTIONS

drawing number 101981

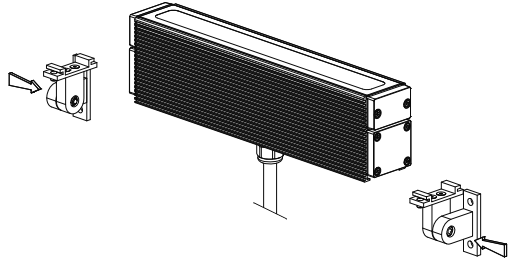
lumenfacade™ stand alone

WHITE, STATIC COLORS & RGB
DIMMING & NON-DIMMING



This product must be installed in accordance with applicable national and local electrical and construction codes by a person familiar with the construction and operation of the product and the hazards involved. Failure to comply with the following installation instructions may result in death or serious injury.

SLIDE IN UMAS MOUNTING BRACKETS



WARNING

DO NOT USE IF FIXTURE, PARTS OR CONNECTORS ARE DAMAGED.

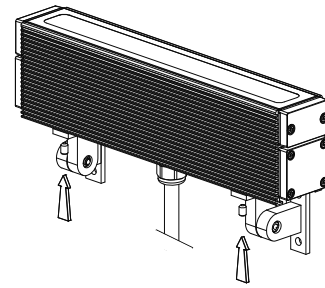
WARNING

DO NOT EXCEED FIXTURE SPECIFIED VOLTAGE.

CAUTION

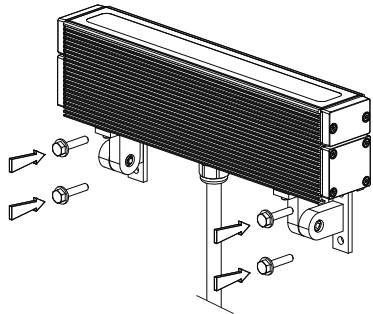
UNAUTHORIZED FIELD REPAIRS WILL VOID WARRANTY

TIGHTEN SET SCREWS



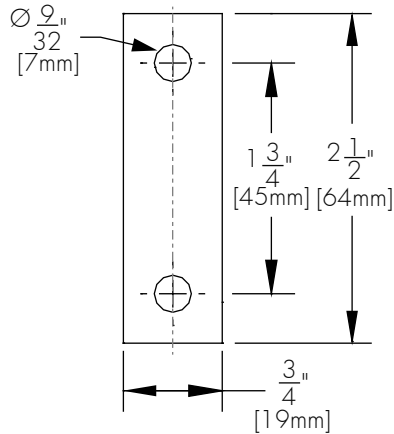
4X 
USE STANDARD
3/16" HEX KEY.

SCREW ONTO MOUNTING SURFACE

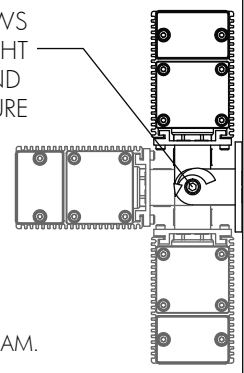


WARNING

USE 1/4" FASTENERS (4X BY OTHERS) THAT ARE APPROPRIATE FOR USE WITH YOUR MOUNTING SURFACE



LOOSEN SCREWS SLIGHTLY TO ADJUST LIGHT BEAM ORIENTATION AND RE-TIGHTEN TO SECURE



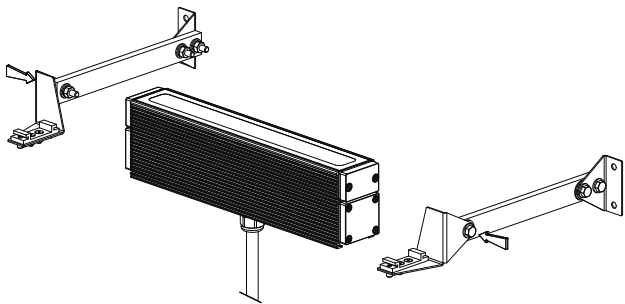
CAUTION

DO NOT LOOK INTO BEAM.

2X 
USE STANDARD
3/16" HEX KEY.

OR

SLIDE IN WAM MOUNTING BRACKETS



WARNING

DO NOT USE IF FIXTURE, PARTS OR CONNECTORS ARE DAMAGED.

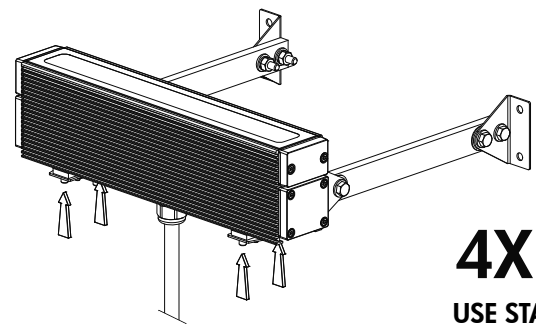
WARNING

DO NOT EXCEED FIXTURE SPECIFIED VOLTAGE.

CAUTION

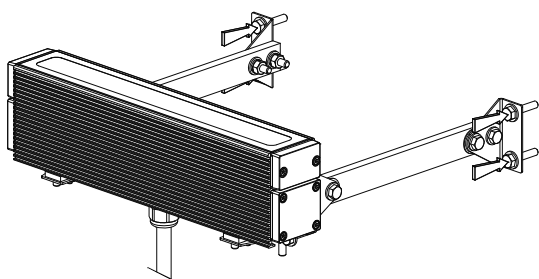
UNAUTHORIZED FIELD REPAIRS WILL VOID WARRANTY

TIGHTEN SET SCREWS



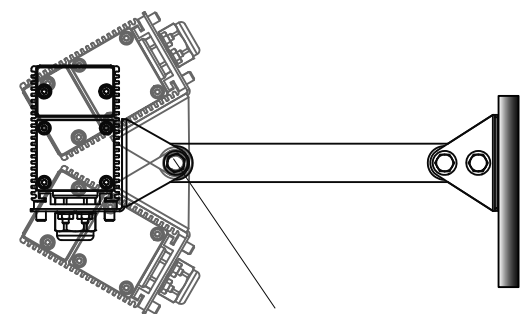
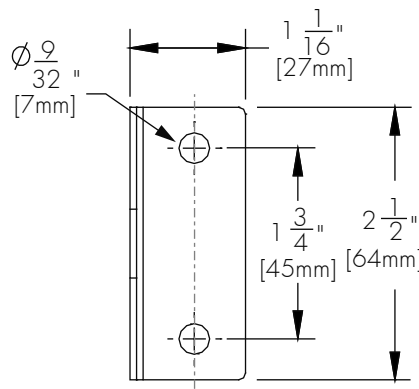
4X 
USE STANDARD
3/16" HEX KEY.

SCREW ONTO MOUNTING SURFACE



WARNING

USE 1/4" FASTENERS (4X BY OTHERS) THAT ARE APPROPRIATE FOR USE WITH YOUR MOUNTING SURFACE



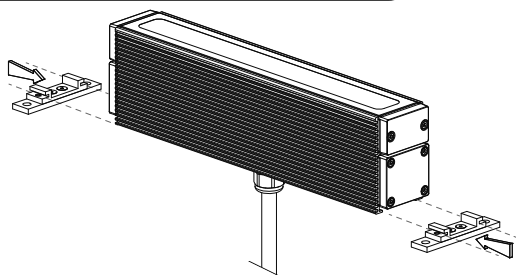
CAUTION

DO NOT LOOK INTO BEAM.

LOOSEN NUTS & BOLTS SLIGHTLY TO ADJUST LIGHT BEAM ORIENTATION AND RE-TIGHTEN TO SECURE

OR

SLIDE IN UMP MOUNTING BRACKETS



WARNING

DO NOT USE IF FIXTURE, PARTS OR CONNECTORS ARE DAMAGED.

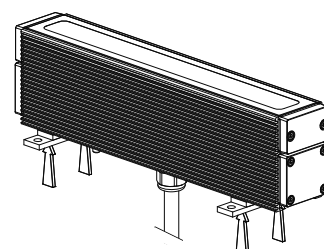
WARNING

DO NOT EXCEED FIXTURE SPECIFIED VOLTAGE.

CAUTION

UNAUTHORIZED FIELD REPAIRS WILL VOID WARRANTY

TIGHTEN SET SCREWS

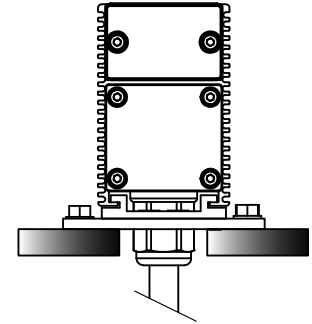
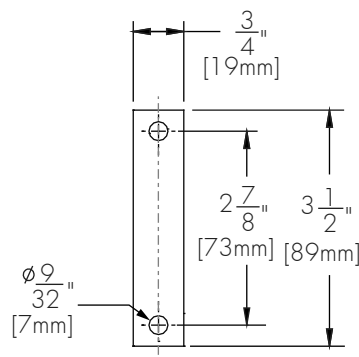
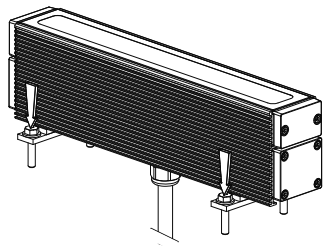


4X 
USE STANDARD
3/16" HEX KEY.



This product must be installed in accordance with applicable national and local electrical and construction codes by a person familiar with the construction and operation of the product and the hazards involved. Failure to comply with the following installation instructions may result in death or serious injury.

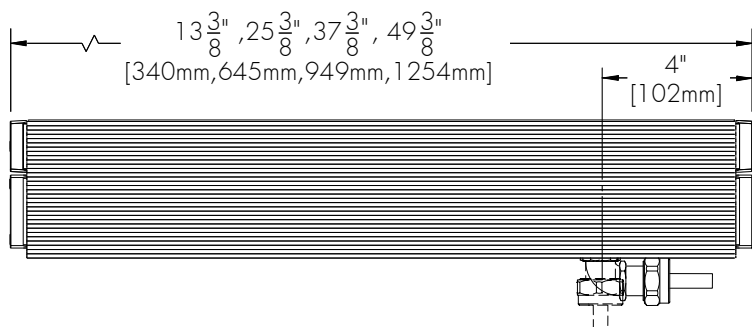
SCREW ONTO MOUNTING SURFACE



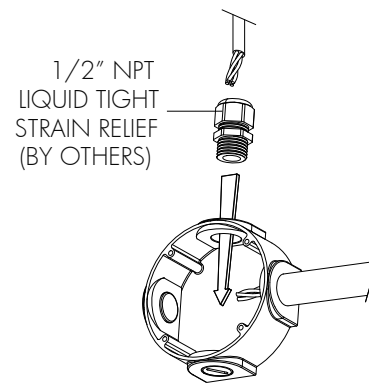
⚠ WARNING

USE 1/4" FASTENERS (4X BY OTHERS) THAT ARE APPROPRIATE FOR USE WITH YOUR MOUNTING SURFACE

LEADER CABLE OUTPUT, BOTTOM FEED



CONNECT LEADER CABLE TO JBOX



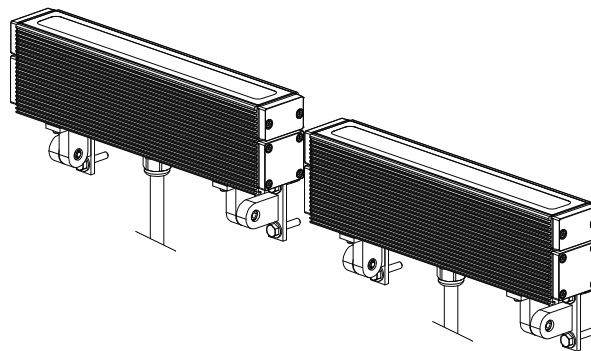
Wiring detail - leader cable

PIN ID	WIRE COLOR	USE
±	GREEN	GROUND
N	WHITE	NEUTRAL
1	BLACK	LIVE 120-277V
2	ORANGE	0-10V / DATA -
3	RED	0-10V / DATA +

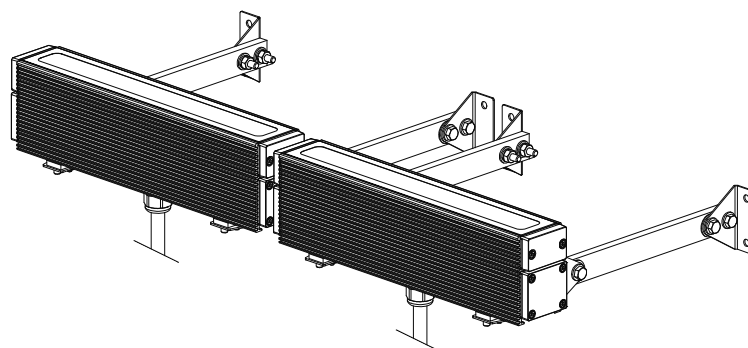
⚠ WARNING

CONNECT LUMINAIRE'S CORD ONLY TO CLASS 2 LED POWER SUPPLY AND/OR DIMMER INSTALLED IN ACCORDANCE WITH LOCAL ELECTRICAL CODES AND REGULATIONS.

TYPICAL UMAS INSTALLATION



TYPICAL WAM INSTALLATION



TYPICAL UMP INSTALLATION

