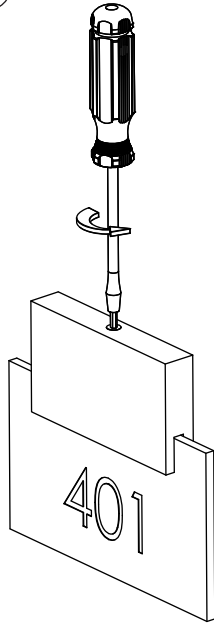




This product must be installed in accordance with applicable national and local electrical and construction codes by a person familiar with the construction and operation of the product and the hazards involved. Failure to comply with the following installation instructions may result in death or serious injury.

**LOOSEN HEADER SCREW**

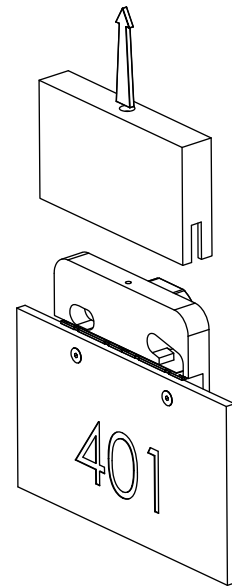


**⚠ WARNING**  
DO NOT USE IF FIXTURE, PARTS OR CONNECTORS ARE DAMAGED.

**⚠ WARNING**  
DO NOT EXCEED FIXTURE SPECIFIED VOLTAGE.

**CAUTION**  
UNAUTHORIZED FIELD REPAIRS WILL VOID WARRANTY

**TAKE OFF ALUMINIUM HEADER**

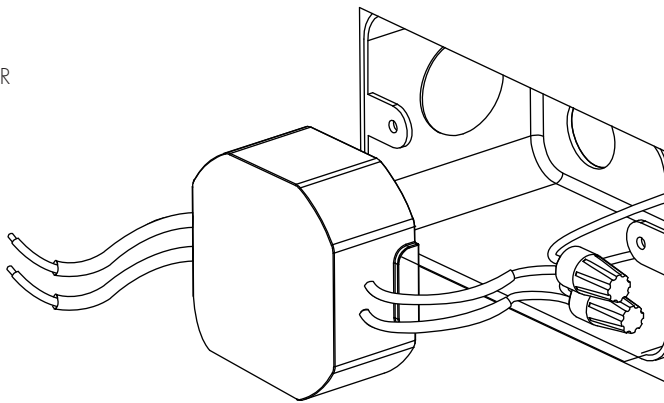


**CONNECT POWER SUPPLY**

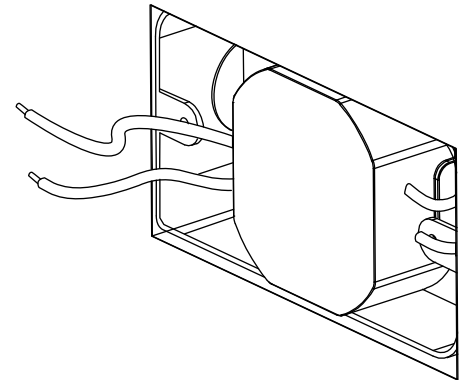
**⚠ WARNING**  
DISCONNECT POWER BEFORE INSTALLING OR SERVICING TO AVOID ELECTRICAL SHOCK.

**⚠ WARNING**  
BE SURE TO INSTALL THE POWER SUPPLY IN THE ORIENTATION AS SHOWN TO PREVENT DAMAGING THE WIRES.

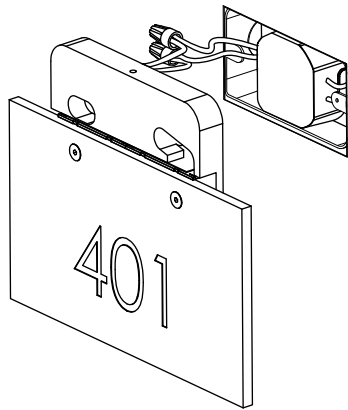
**⚠ WARNING**  
DO NOT USE POWER SUPPLY IF WIRE INSULATION IS CUT OR DAMAGED.



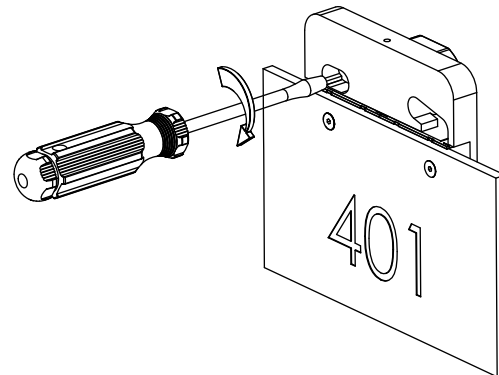
**PLACE POWER SUPPLY IN HORIZONTAL JBOX**



**CONNECT FIXTURE WIRES**

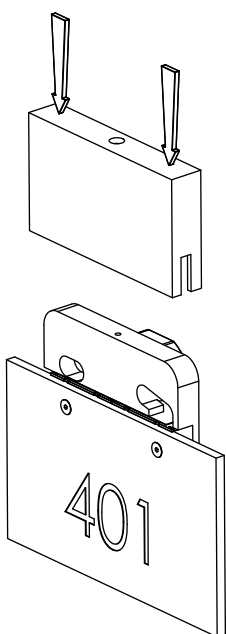


**INSTALL FIXTURE TO JBOX**



**2X**

**INSTALL ALUMINIUM HEADER**



**TIGHTEN SCREW TO SECURE ALUMINIUM HEADER**

