

Client: _____

Project name: _____

Order # _____

Type: _____ Qty: _____

FEATURES AND BENEFITS

Physical :

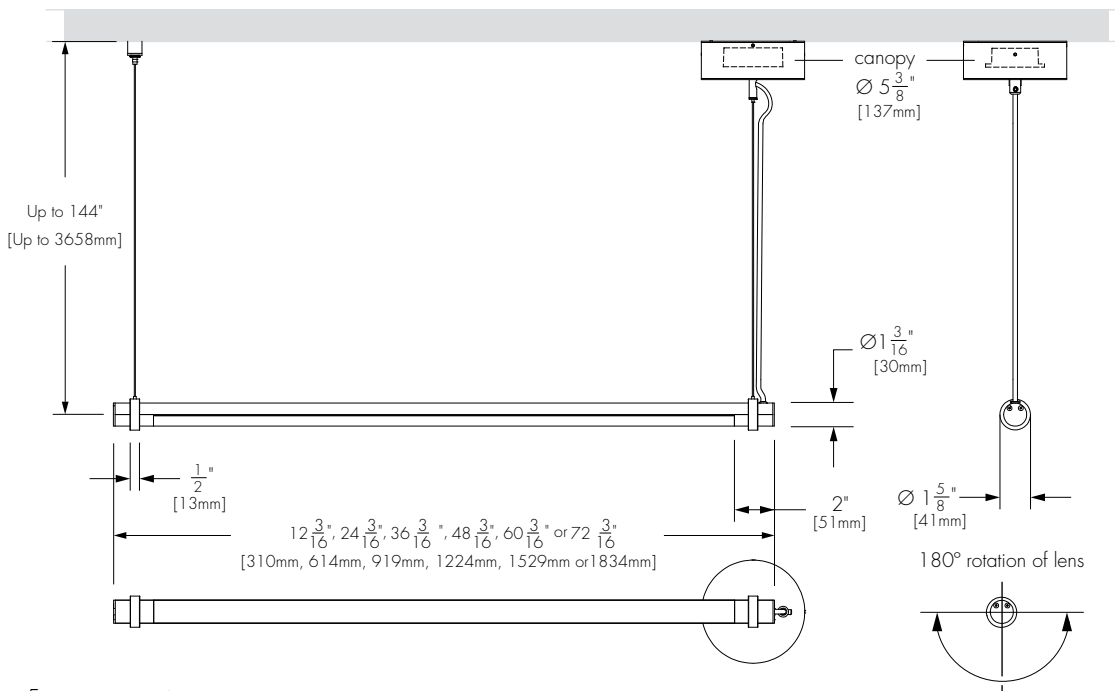
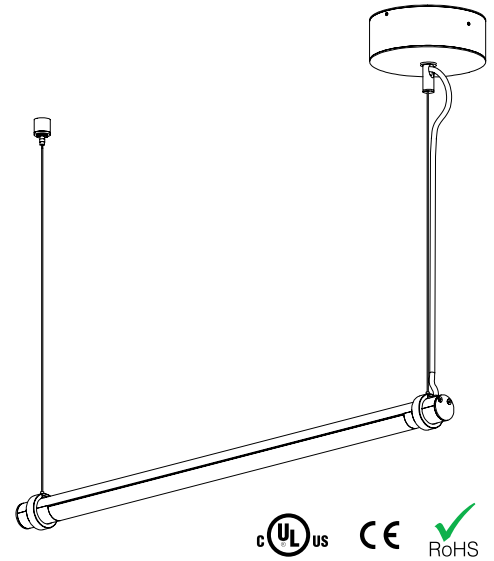
- Low copper content extruded aluminum housing
- Available in 1', 2', 3', 4', 5' and 6' sections
- Electrostatically applied polyester powder coat finish
- Clear or frosted lens
- Flat canopy version available for remote power supply

Performance :

- 284 delivered lumens per foot (4000K unit, clear lens)
- Lumen maintenance L70 @ 25°C - 80,000 hrs
- Lumen measurements comply with LM - 79 - 08 standard
- Operating temperatures: -25°C to 50°C

Electrical :

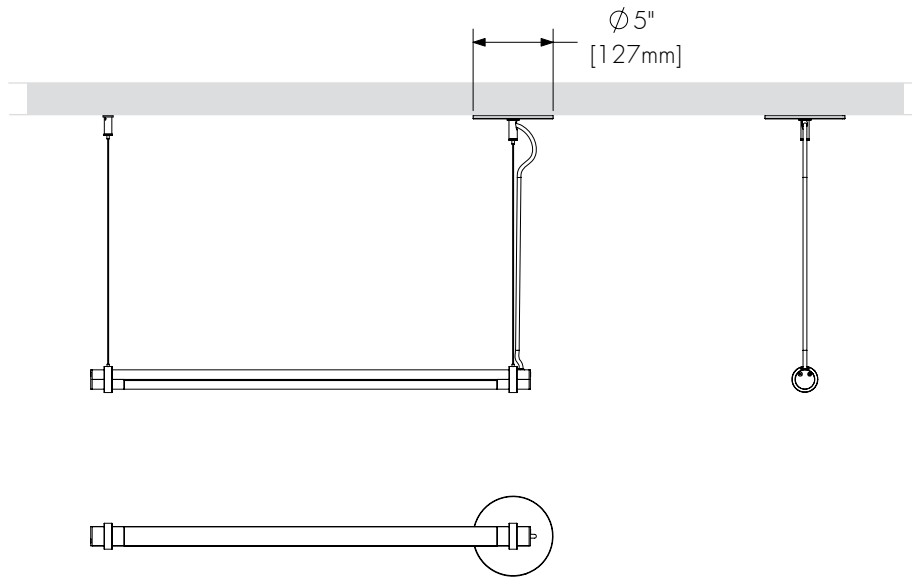
- 24V luminaire available with 120 to 277V driver (in canopy, not included)
- 5 watts per foot
- 0-10 volt dimming option (consult factory)
- 12ft power cable



5 year warranty

FLAT CANOPY

(To be used with remote power supply option only, specify in product code)

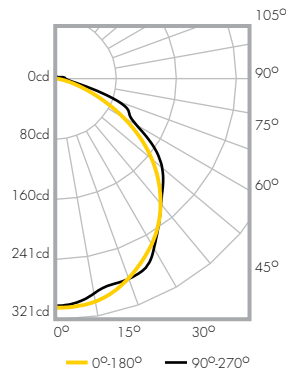


PHOTOMETRICS

Lumentube® 4'
2700K
clear lens

Lamping	21.1 W
Lumens	885
Efficacy	42 lm/W

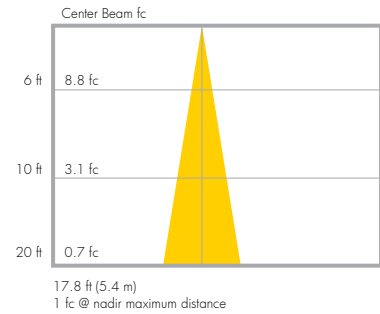
Polar Candela Distribution



Candela Table

	0	22.5	45	67.5	90
0	318	318	318	318	318
5	319	319	317	314	312
15	306	306	300	302	302
25	284	282	283	278	277
35	246	252	249	252	248
45	202	209	209	215	209
55	145	155	158	165	163
65	78	98	103	102	96
75	28	47	49	44	33
85	3	17	19	15	14
90	0	10	13	13	13
95	0	6	10	11	12
105	0	2	6	8	9
115	0	1	3	3	3
125	0	0	1	1	1
135	0	0	0	1	1
145	0	0	0	0	0

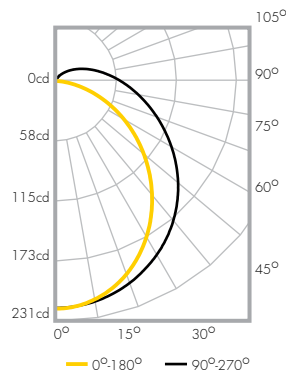
Illuminance at Distance



Lumentube® 4'
2700K
frosted lens

Lamping	21 W
Lumens	781
Efficacy	37 lm/W

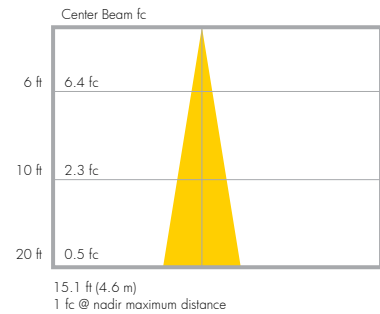
Polar Candela Distribution



Candela Table

	0	22.5	45	67.5	90
0	230	230	230	231	231
5	229	230	228	227	227
15	216	219	219	220	220
25	194	198	201	205	205
35	197	203	210	221	223
45	129	138	148	161	163
55	94	103	117	134	136
65	58	72	88	106	109
75	28	45	64	81	84
85	5	24	46	60	63
90	0	17	38	51	55
95	0	11	31	42	48
105	0	6	21	30	35
115	0	3	13	20	23
125	0	1	7	13	15
135	0	1	4	7	10
145	0	0	2	3	5
155	0	0	1	1	2
165	0	0	0	0	1

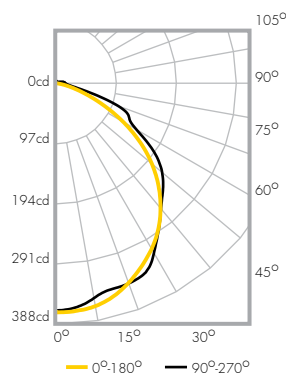
Illuminance at Distance



Lumentube® 4'
3000K
clear lens

Lamping	21 W
Lumens	1068
Efficacy	50 lm/W

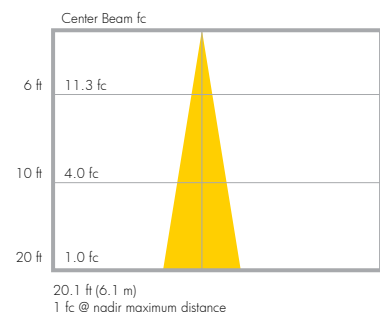
Polar Candela Distribution



Candela Table

	0	22.5	45	67.5	90
0	387	387	387	387	387
5	386	386	382	377	374
15	372	367	357	357	358
25	344	335	338	334	332
35	298	297	299	302	299
45	244	249	253	258	250
55	174	185	190	194	193
65	94	118	124	125	118
75	34	57	64	55	41
85	4	23	26	21	19
90	0	14	18	18	18
95	0	8	15	16	17
105	0	3	9	12	13
115	0	1	5	6	7
125	0	0	3	3	4
135	0	0	1	2	2
145	0	0	0	1	1

Illuminance at Distance



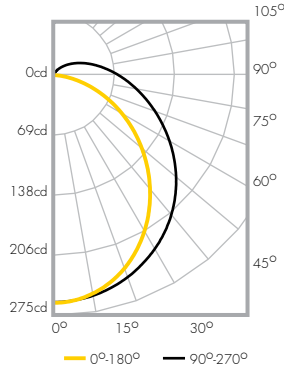
Photometric data based on test results from an independent NIST traceable testing lab. IES data is available at www.lumenpulse.com/en/support. Always refer to our website download section for the latest updates of our IES files.

PHOTOMETRICS

Lumentube® 4'
3000K
frosted lens

Lamping	21 W
Lumens	933
Efficacy	44 lm/W

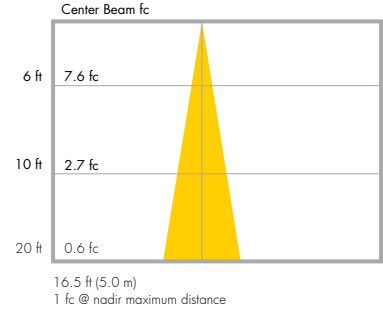
Polar Candela Distribution



Candela Table

	0	22.5	45	67.5	90
0	274	274	274	274	274
5	274	274	273	271	271
15	259	261	262	262	262
25	233	236	240	244	246
35	197	203	210	221	223
45	156	163	177	191	196
55	113	123	141	159	164
65	72	86	107	127	131
75	35	54	78	98	103
85	7	30	55	73	78
90	0	22	46	63	67
95	0	15	38	52	58
105	0	7	25	37	42
115	0	4	15	25	29
125	0	2	9	16	19
135	0	1	5	10	12
145	0	0	3	5	6
155	0	0	1	2	3
165	0	0	0	0	1

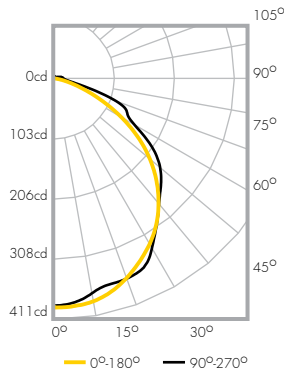
Illuminance at Distance



Lumentube® 4'
4000K
clear lens

Lamping	21.1 W
Lumens	1134
Efficacy	53 lm/W

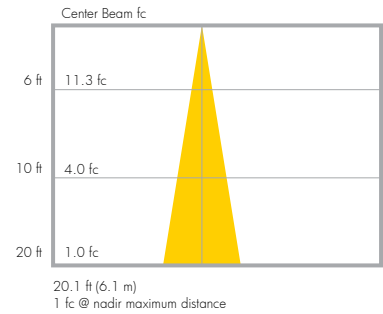
Polar Candela Distribution



Candela Table

	0	22.5	45	67.5	90
0	408	408	408	408	408
5	409	410	407	403	400
15	393	393	385	388	388
25	364	362	363	357	355
35	316	323	320	323	319
45	259	268	269	276	269
55	187	199	203	212	210
65	101	126	133	131	124
75	36	61	64	57	43
85	4	23	25	20	18
90	0	14	17	17	17
95	0	8	14	15	16
105	0	3	8	11	12
115	0	1	4	5	5
125	0	0	1	2	2
135	0	0	0	1	1
145	0	0	0	0	0

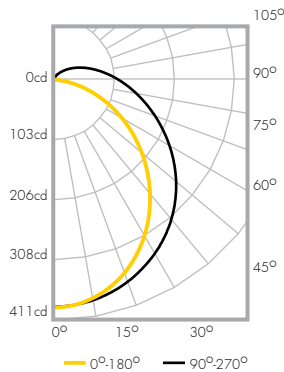
Illuminance at Distance



Lumentube® 4'
4000K
frosted lens

Lamping	21 W
Lumens	1001
Efficacy	47 lm/W

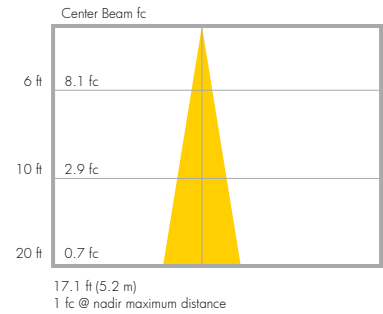
Polar Candela Distribution



Candela Table

	0	22.5	45	67.5	90
0	295	295	295	295	295
5	294	295	293	291	291
15	278	281	281	282	282
25	249	254	258	264	264
35	210	219	226	239	240
45	166	177	190	207	210
55	121	133	151	172	175
65	75	93	114	137	140
75	36	58	83	105	108
85	7	32	59	78	82
90	0	23	49	66	71
95	0	15	41	55	62
105	0	8	27	39	45
115	0	4	17	26	30
125	0	2	10	17	20
135	0	1	6	10	13
145	0	0	3	5	7
155	0	0	1	2	3
165	0	0	0	0	1

Illuminance at Distance



Photometric data based on test results from an independent NIST traceable testing lab. IES data is available at www.lumenpulse.com/en/support. Always refer to our website download section for the latest updates of our IES files.

ACCESSORIES

Order separately

Remote Power Supply in Canopy :

PS24V40 Remote class 2 power supply 40W (120-277V to 24V DC)

Remote Power Supply Without Housing :

PS24V25 Remote wall mounted power supply 25W for Lumentube® Pendant (12 feet leader cable included, 120V to 24V DC)

PS24V60 Remote power supply 60W (120-277V to 24V DC)

PS24V60D Remote power supply 60W c/w dimming module (120-277V to 24V DC)

PS24V100 Remote power supply 100W (120-277V to 24V DC)

PS24V100D Remote power supply 100W c/w dimming module (120-277V to 24V DC)

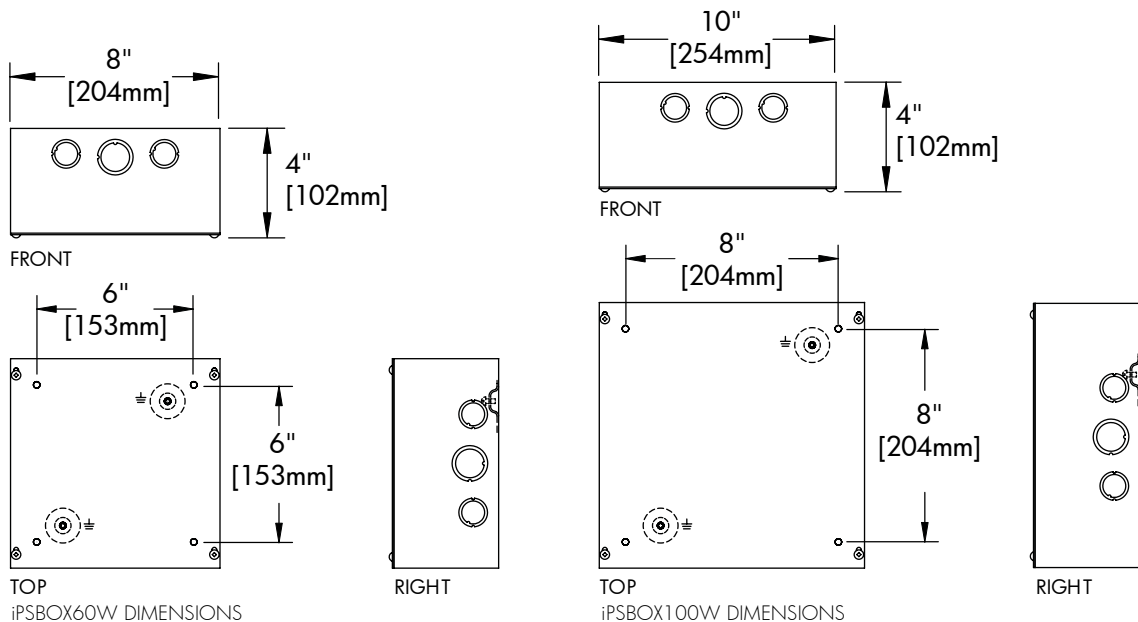
Remote Power Supply With Housing :

iPSBOX60 Interior remote power supply 60W with housing (120-277V to 24V DC)

iPSBOX60D Interior remote dimming power supply 60W with housing (120-277V to 24V DC)

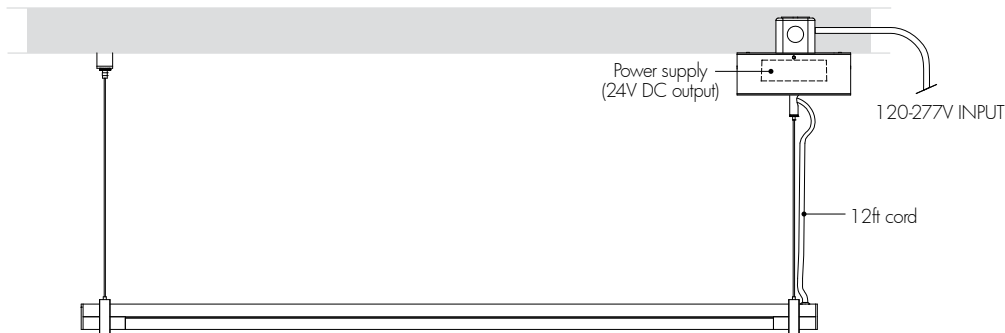
iPSBOX100 Interior remote power supply 100W with housing (120-277V to 24V DC)

iPSBOX100D Interior remote dimming power supply 100W with housing (120-277V to 24V DC)



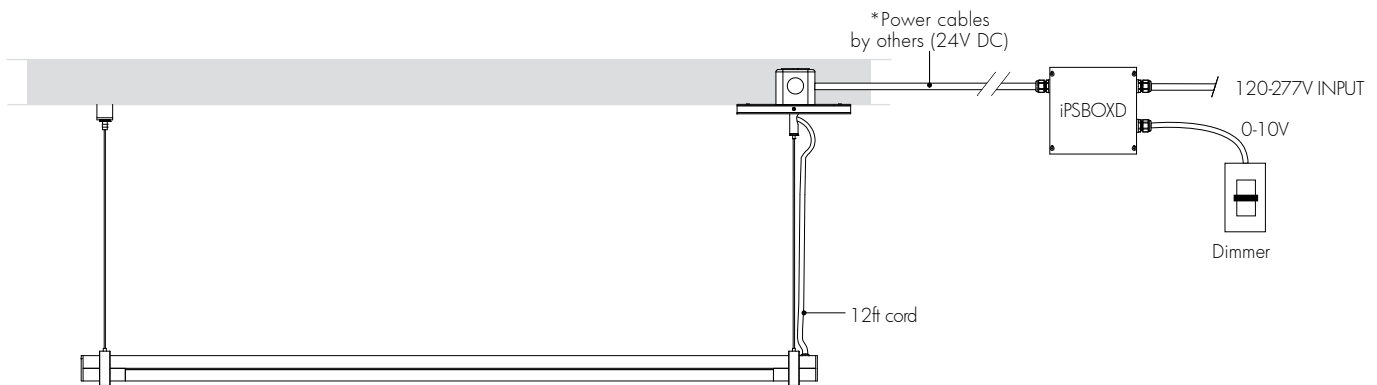
TYPICAL WIRING DIAGRAMS

Non-Dimming Version, power supply in canopy



- OUTPUT QUANTITY DEPENDS ON PROJECT LAYOUT.
- UP TO 6 OUTPUTS TO FIXTURES.
- ADD UP ALL FIXTURE RUN LOADS AND BE SURE THEY DO NOT EXCEED THE CAPACITY OF THE iPSBOX .

Dimming Version (0-10V), remote dimming power supply box



HOW TO ORDER

LTP	24V					
Housing	Voltage	Length	Colors and color temperatures	Lens	Finish	Option
1	2	3	4	5	6	7
1 Housing: LTB - Lumentube® pendant fixture	2 Voltage: *24V DC fixture. Refer to Lumentube pendant accessories on page 5 for remote power supply options.	3 Length: 12 - 12 3/16 inches (310mm) (0.25 kg / 0.56 lbs) 24 - 24 3/16 inches (614mm) (0.38 kg / 0.75 lbs) 36 - 36 3/16 inches (919mm) (0.57 kg / 1.25 lbs) 48 - 48 3/16 inches (1224mm) (0.76 kg / 1.67 lbs) 60 - 60 3/16 inches (1529mm) (0.95 kg / 2.09 lbs) 72 - 72 3/16 inches (1834mm) (1.14 kg / 2.51 lbs)	4 Colors and Color temperatures: 27K - 2700K 30K - 3000K 40K - 4000K	5 Lens: CL - Clear lens FR - Frosted lens	6 Finish: WH - White BK - Black MS - Metallic Silver CC - Custom (please specify RAL color)	7 Option: FC - Flat Canopy (refer to page 2 for details)
				A Dimming: Specify dimming option in remote power supply order code.		

HOW TO ORDER

LTP	24V					
Housing	Voltage	Length	Colors and color temperatures	Lens	Finish	Option
1	2	3	4	5	6	7
1						5
Housing: LTP - Lumentube® pendant fixture						Lens: CL - Clear lens FR - Frosted lens
2						
Voltage: *24V DC fixture. Refer to Lumentube pendant accessories on page 5 for remote power supply options.						6
3						
Length: 12 - 12 3/16 inches (310mm) (0.25 kg / 0.56 lbs) 24 - 24 3/16 inches (614mm) (0.38 kg / 0.75 lbs) 36 - 36 3/16 inches (919mm) (0.57 kg / 1.25 lbs) 48 - 48 3/16 inches (1224mm) (0.76 kg / 1.67 lbs) 60 - 60 3/16 inches (1529mm) (0.95 kg / 2.09 lbs) 72 - 72 3/16 inches (1834mm) (1.14 kg / 2.51 lbs)						Finish: WH - White BK - Black MS - Metallic Silver CC - Custom (please specify RAL color)
4						7
Colors and Color temperatures: 27K - 2700K 30K - 3000K 40K - 4000K						Option: FC - Flat Canopy (refer to page 2 for details)
						A
						Dimming: Specify dimming option in remote power supply order code.