

Client: \_\_\_\_\_  
 Project name: \_\_\_\_\_  
 Order #: \_\_\_\_\_  
 Type: \_\_\_\_\_ Qty: \_\_\_\_\_

## FEATURES AND BENEFITS

### Physical :

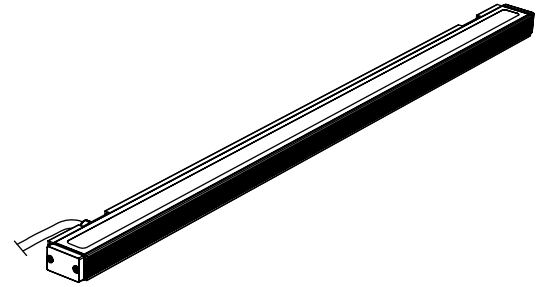
- Low copper content extruded aluminum housing
- Available in 1', 2', 3' or 4' sections
- Electro-statically applied polyester powder coat finish
- Machined aluminum end caps and silicone gaskets
- Stainless steel hardware
- Clear tempered glass
- 10° x 10°, 10° x 60°, 30° x 60° or 60° x 60°
- IP66

### Performance :

- Minimum 1fc (10.7 lux) @ 111 feet (33.8m) distance (4' unit, 10° x 60° optic)
- 2,065 delivered lumens and 11,458 candelas at nadir (4' unit, 10° x 60° optic)
- Lumen maintenance L70 @ 25°C - 120,000 hrs
- Lumen measurements comply with LM - 79 - 08 standard
- Resolution per foot or per fixture (see page 5)
- Operating temperatures: -25°C to 50°C

### Electrical :

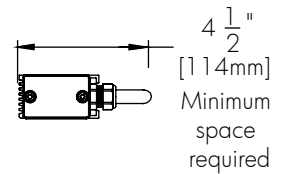
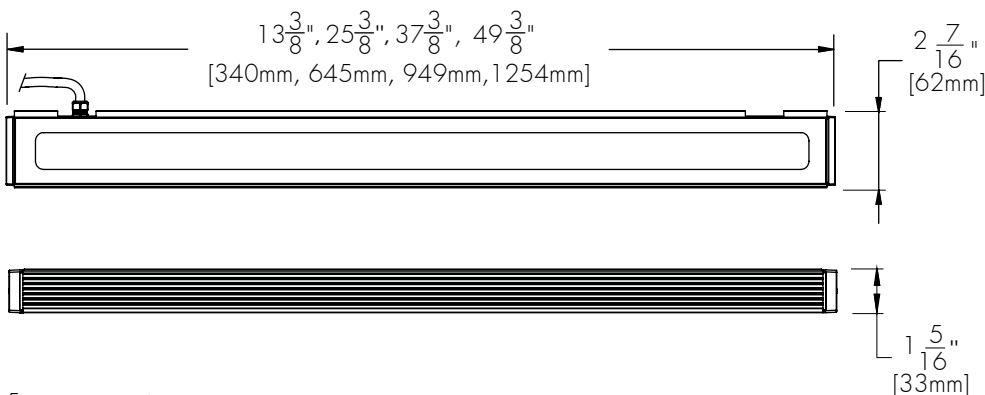
- 15V DC luminaire, remote driver & data supply available for 120 to 277V required but not included. See interior and exterior Control & Power box specification sheets for details.
- Power and data in 1 cable (#16-4), standard 10ft cord included
- 17.25W/ft
- DMX 512 ready



### Wiring detail

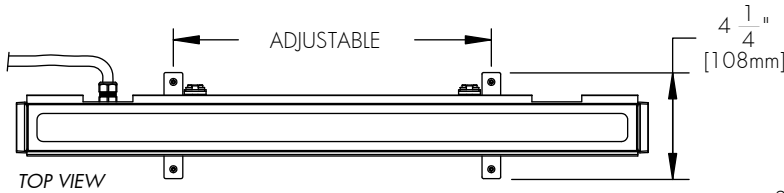
#### WIRE COLOR / USE

GREEN	DATA -
WHITE	VDC -
BLACK	VDC +
RED	0-10V / DATA +

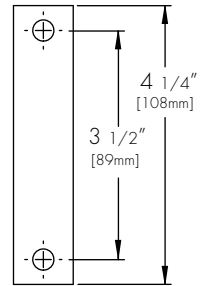
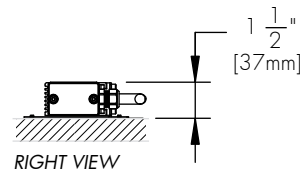


5 year warranty

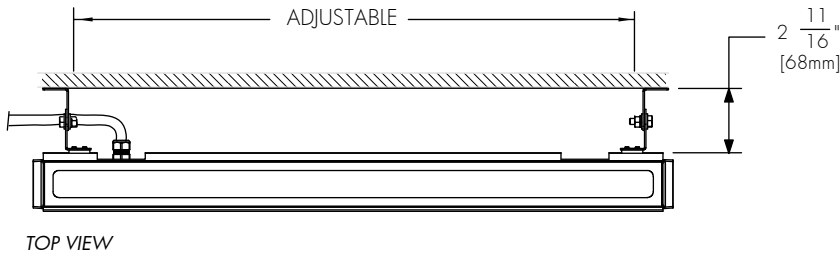
## MOUNTING AND ADJUSTABLE PIVOTS



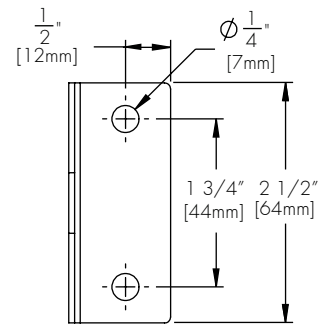
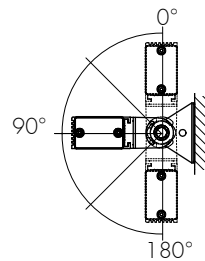
**UMPR**  
Fixed Mounting  
Remote Version



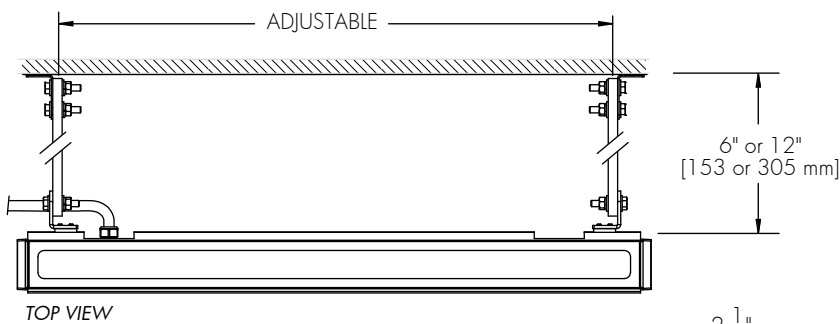
**UMPR**  
Mounting Hole Pattern



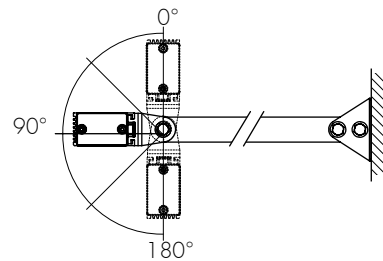
**WAMR3**  
Adjustable Arm Mounting  
Remote version



**WAMR**  
Mounting Hole Pattern



**WAMR6 & WAMR12**  
Adjustable Arm Mounting  
Remote version

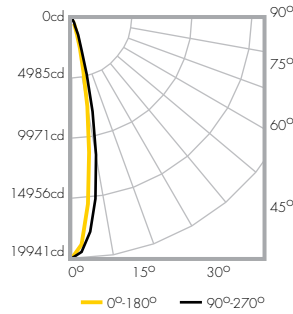


## PHOTOMETRICS

Lumenfacade Remote 4'  
RGB  
10° x 10° optic

Lamping	68 W
Lumens	1472
Efficacy	21 lm/W

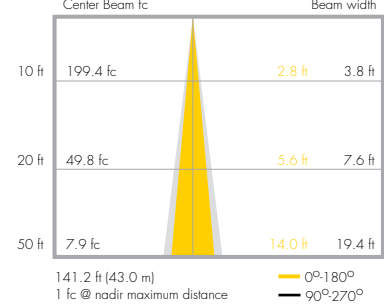
Polar Candela Distribution



Candela Table

	0	22.5	45	67.5	90
0	19941	19941	19941	19941	19941
5	15506	15814	16736	17580	17824
15	2615	2904	3794	4710	4887
25	389	379	381	424	438
35	118	117	94	86	92
45	44	40	37	40	43
55	22	20	18	21	24
65	14	14	13	12	14
75	10	10	10	9	7
85	10	9	9	7	2
90	9	9	9	9	1

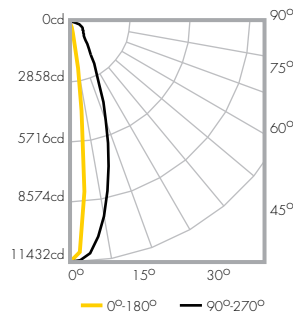
Illuminance at Distance



Lumenfacade Remote 4'  
RGB  
10° x 60° optic

Lamping	68.8 W
Lumens	2065
Efficacy	30 lm/W

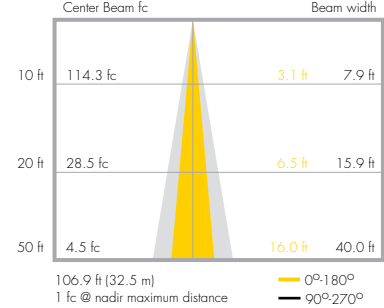
Polar Candela Distribution



Candela Table

	0	22.5	45	67.5	90
0	11432	11432	11432	11432	11432
5	8105	8150	9459	10438	11063
15	546	674	1345	3673	7123
25	89	94	165	746	3342
35	54	58	72	184	1591
45	26	26	35	80	956
55	9	9	9	31	769
65	3	3	3	12	638
75	0	0	0	0	393
85	0	0	0	0	63
90	0	0	0	0	0

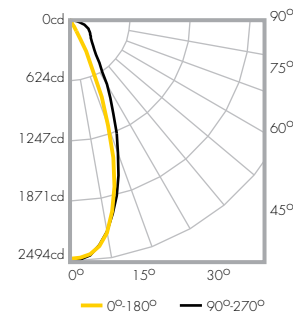
Illuminance at Distance



Lumenfacade Remote 4'  
RGB  
30° x 60° optic

Lamping	67.4 W
Lumens	1584
Efficacy	23 lm/W

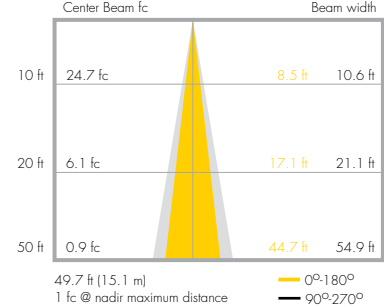
Polar Candela Distribution



Candela Table

	0	22.5	45	67.5	90
0	2473	2473	2473	2473	2473
5	2434	2428	2453	2431	2441
15	1781	1791	1887	1863	1883
25	564	666	892	1050	1070
35	79	106	239	468	538
45	15	18	51	220	323
55	6	8	15	130	260
65	5	4	6	73	213
75	2	2	2	28	132
85	0	0	0	2	22
90	0	0	0	0	0

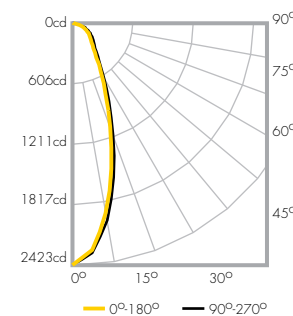
Illuminance at Distance



Lumenfacade Remote 4'  
RGB  
60° x 60° optic

Lamping	69 W
Lumens	1965
Efficacy	28 lm/W

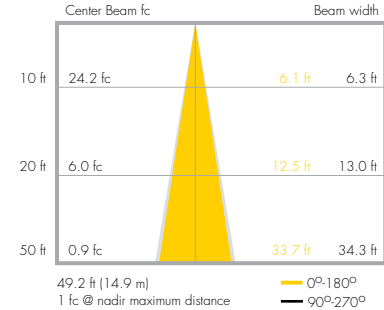
Polar Candela Distribution



Candela Table

	0	22.5	45	67.5	90
0	2423	2423	2423	2423	2423
5	2280	2251	2246	2265	2308
15	1507	1512	1546	1571	1599
25	789	807	829	858	866
35	423	436	450	467	469
45	277	284	296	308	312
55	208	213	226	237	241
65	141	146	159	172	176
75	53	57	69	84	90
85	7	8	8	9	10
90	5	5	5	5	2

Illuminance at Distance



Photometric data based on test results from an independent NIST traceable testing lab. IES data is available at [www.lumenpulse.com/en/support](http://www.lumenpulse.com/en/support). Always refer to our website download section for the latest updates of our IES files.

## ACCESSORIES

Order separately

### Control Systems:

- LTO** Lumentouch is a wall mount DMX 512 controller keypad
- LCU** Lumencue is a USB / mini SD DMX 512 controller
- LID** LumenID is a serializing and addressing DMX 512 controller.  
It must be specified on all DMX applications.  
Refer to LID specification sheet for details.

### Interior Control & Power boxes :

- iCBOX60-\_\_-15V-\_\_** Remote interior control & power box assembly 60W (120-277V to 15V DC)  
Please specify input voltage and finish.
- iCBOX100-\_\_-15V-\_\_** Remote interior control & power box assembly 100W (120-277V to 15V DC)  
Please specify input voltage and finish.

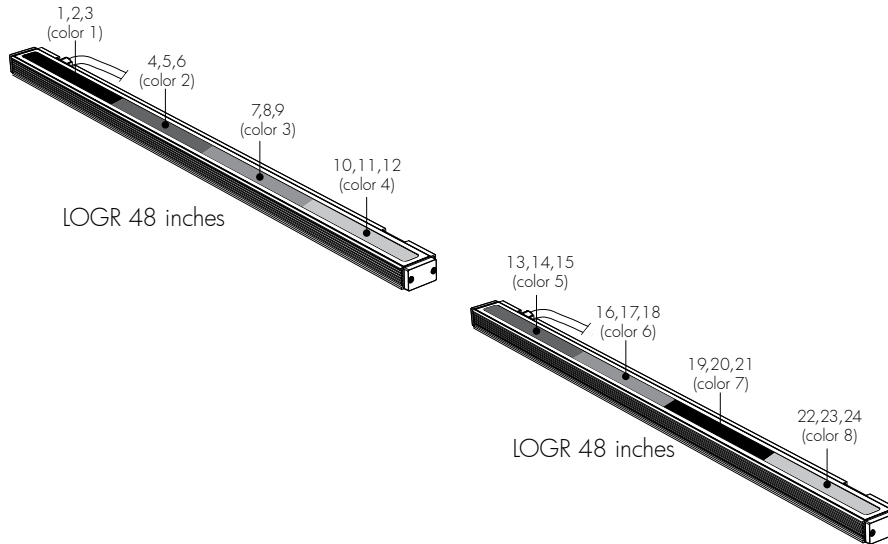
### Exterior Control & Power boxes :

- CBOX60-\_\_-15V-\_\_** Remote exterior control & power box assembly 60W (120-277V to 15V DC)  
Please specify input voltage and finish.
- CBOX100-\_\_-15V-\_\_** Remote exterior control & power box assembly 100W (120-277V to 15V DC)  
Please specify input voltage and finish.

## RESOLUTION DETAILS

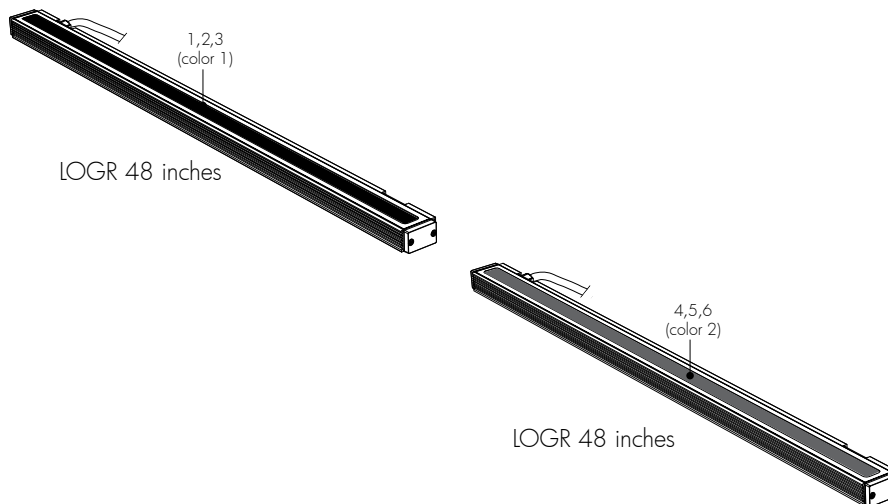
**1FT** - Resolution per foot: each foot is addressed independently (recommended for most installations).

DMX ADDRESSES:



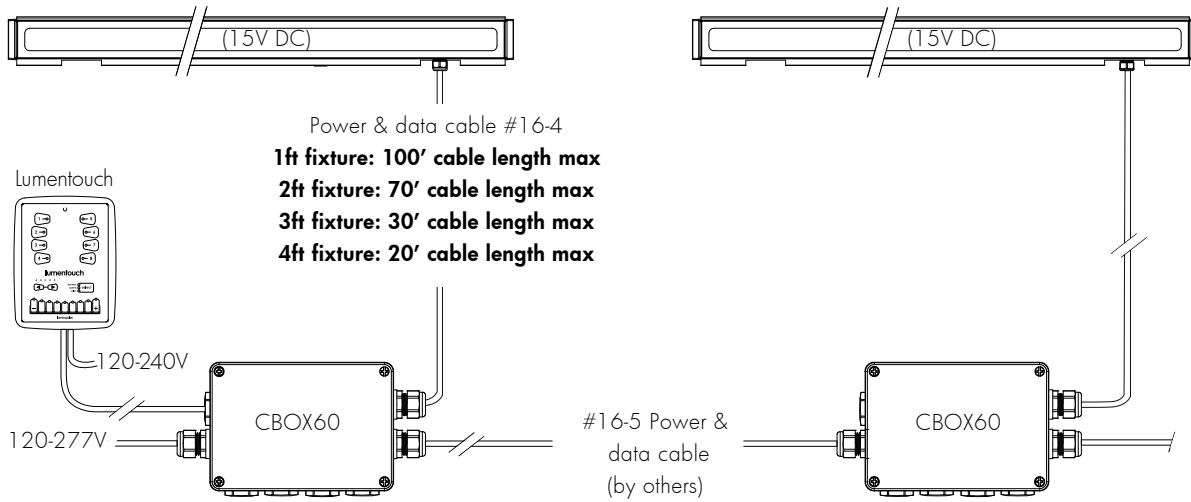
**1FX** - Resolution per fixture: each fixture is addressed independently

DMX ADDRESSES:



\*Warning: resolution is a factory setting and cannot be changed in the field.

## TYPICAL WIRING DIAGRAM



\* Maximum 48 linear feet of fixture.  
See accessories page for details.

## HOW TO ORDER

LOGR	15V		RGB				
Housing	Voltage	Length	Colors and color temperatures	Resolution	Optic	Mounting	Finish
1	2	3	4	5	6	7	8

1

### Housing:

**LOGR** \_\_\_ - lumenfacade™ Remote Driver  
 please specify desired cable length:  
 1ft fixture - 100' cable length max  
 2ft fixture - 70' cable length max  
 3ft fixture - 30' cable length max  
 4ft fixture - 20' cable length max

2

### Voltage:

15V DC fixture. Refer to accessories on page 4 for control & power box options.

3

### Length:

**12** - 13 3/8 inches (340mm) (0.95 kg/2.10 lbs)  
**24** - 25 3/8 inches (645mm) (1.78 kg/3.90 lbs)  
**36** - 37 3/8 inches (949mm) (2.55 kg/5.60 lbs)  
**48** - 49 3/8 inches (1254mm) (3.40 kg/7.40 lbs)



4

### Colors and Color temperatures:

**RGB** - 16.7 million colors, additive RGB

5

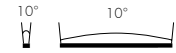
### Resolution:

**1FT** - Resolution per foot   
**1FX** - Resolution per fixture 

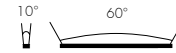
6

### Optics:

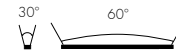
**10x10** - 10° x 10°



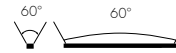
**10x60** - 10° x 60°



**30x60** - 30° x 60°



**60x60** - 60° x 60°



7

### Mounting:

**UMPR** - Fixed Mounting remote version

**WAMR3** - Adjustable arm mounting 3" remote version

**WAMR6** - Adjustable arm mounting 6" remote version

**WAMR12** - Adjustable arm mounting 12" remote version

8

### Finish:

**SI** - Silver SandText

**BK** - Black SandText

**WH** - White

**CC** - Custom (please specify RAL color)