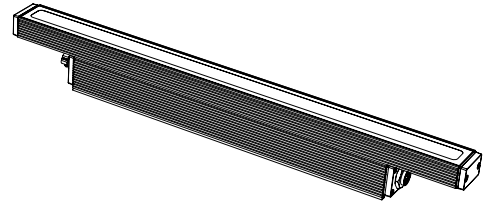


Client: \_\_\_\_\_  
 Project name: \_\_\_\_\_  
 Order #: \_\_\_\_\_  
 Type: \_\_\_\_\_ Qty: \_\_\_\_\_

## FEATURES AND BENEFITS

### Physical :

- Low copper content extruded aluminum housing
- Available in 1', 2', 3' or 4' sections
- Electro-statically applied polyester powder coat finish
- Machined aluminum end caps and silicone gaskets
- Stainless steel hardware
- Clear tempered glass
- 10° x 10°, 10° x 60°, 30° x 60° or 60° x 60° optics
- IP66



### Performance :

- Minimum 1fc (10.7 lux) @ 135 feet (41.1m) distance (4000K, 4' unit, 10° x 60° optic, HO version)
- 3,203 delivered lumens and 18,277 candelas at nadir (4000K, 4' unit, 10° x 60° optic, HO version)
- Lumen maintenance L70 @ 25°C - 120,000 hrs
- Lumen measurements comply with LM - 79 - 08 standard
- Resolution per foot or per fixture (see page 8)
- Operating temperatures: -25°C to 50°C



### Electrical :

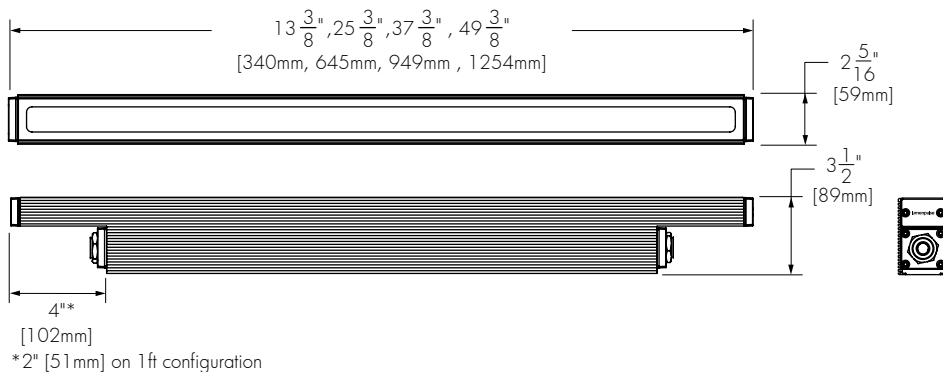
- Line voltage luminaire for 120 to 277V
- Power and data in 1 cable (#16-5)
- Up to 92 feet with a single 120V power feed, HO version
- 5W/ft version meets ASHRAE standards for linear lighting on building facades
- 8.5W/ft Regular Output version
- 15.25W/ft High Output version
- 0-10 volt, DMX or DALI dimming options

### Wiring detail - non dimming

PIN ID	WIRE COLOR	USE
⊕	GREEN	GROUND
N	WHITE	NEUTRAL
1	BLACK	LIVE 120-277V

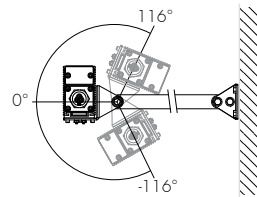
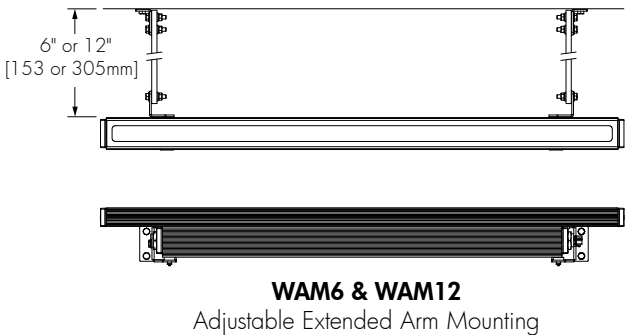
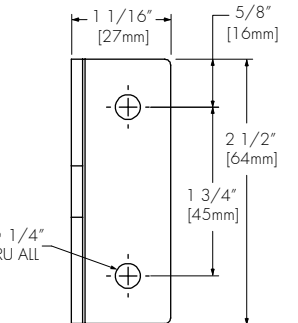
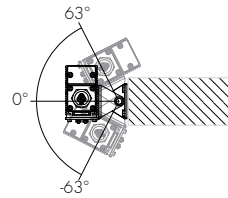
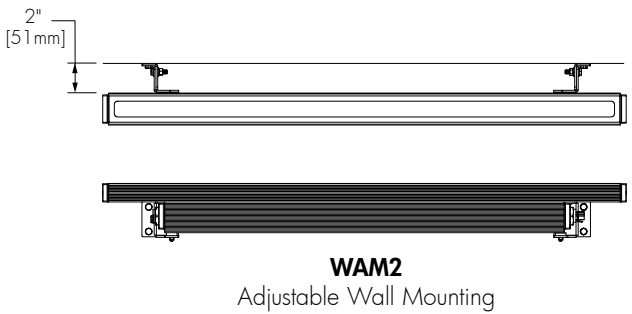
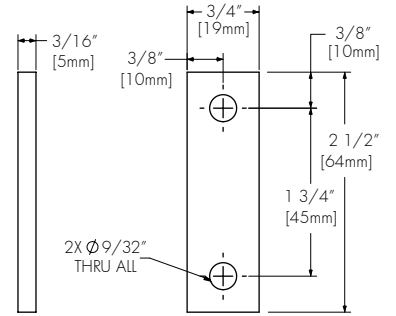
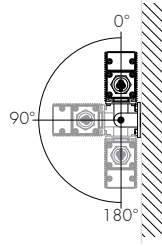
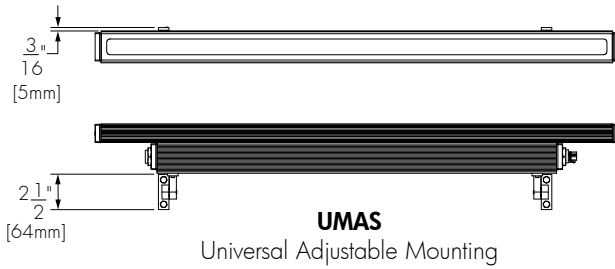
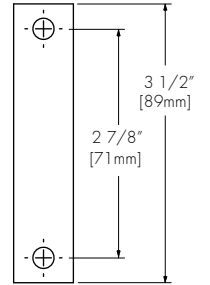
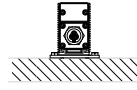
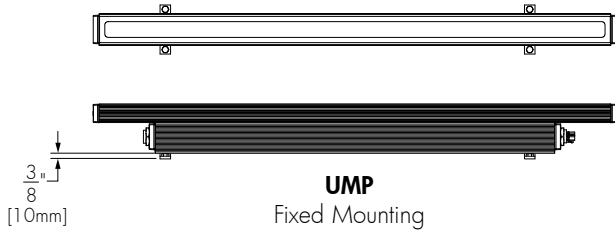
### Wiring detail - dimming

PIN ID	WIRE COLOR	USE
⊕	GREEN	GROUND
N	WHITE	NEUTRAL
1	BLACK	LIVE 120-277V
2	RED	0-10V / DATA +
3	ORANGE	0-10V / DATA -

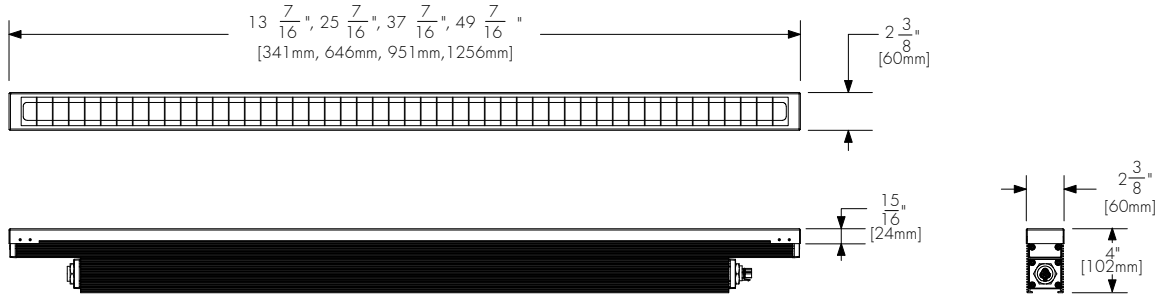


5 year warranty

## MOUNTING AND ADJUSTABLE PIVOTS



## LOUVER ACCESSORY INSTALLATION DETAIL

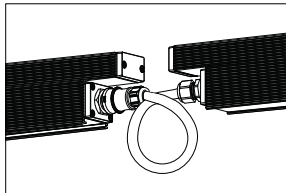


### LOGRD

Radial Louver for Lumenfacade  
(See page 7 for ordering code)

## OPTION

**ETE** - End-to-end configuration,  
no jumper cable needed.  
16" cable included at input.

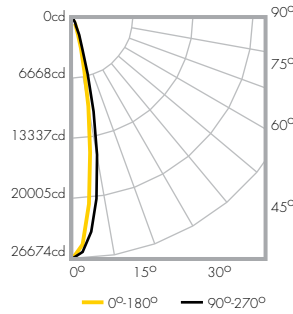


## PHOTOMETRICS

Lumenfacade HO 4'  
2700K  
10° x 10° optic

Lamping	61 W
Lumens	1969
Efficacy	32 lm/W

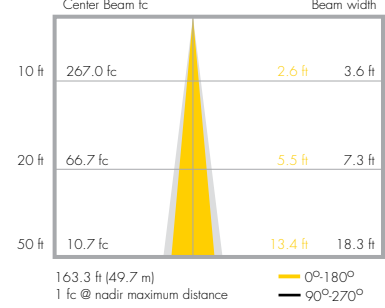
Polar Candela Distribution



Candela Table

	0	22.5	45	67.5	90
0	26674	26674	26674	26674	26674
5	20741	21154	22386	23516	23842
15	3497	3884	5075	6300	6537
25	520	507	509	568	586
35	158	157	125	115	123
45	59	53	50	54	58
55	29	27	24	29	31
65	19	19	18	16	19
75	13	14	13	13	10
85	13	12	12	9	3
90	12	12	12	12	1

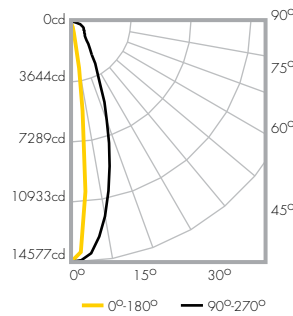
Illuminance at Distance



Lumenfacade HO 4'  
2700K  
10° x 60° optic

Lamping	61 W
Lumens	2563
Efficacy	42 lm/W

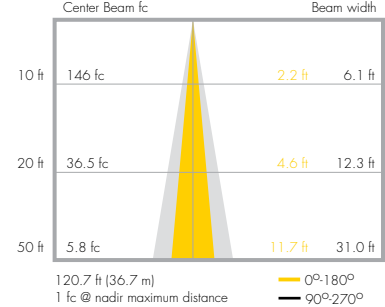
Polar Candela Distribution



Candela Table

	0	22.5	45	67.5	90
0	14577	14577	14577	14577	14577
5	10051	10213	11965	13334	14086
15	741	914	1576	4531	9037
25	105	113	201	942	4228
35	64	64	80	230	1981
45	32	32	49	96	1192
55	8	8	8	41	942
65	3	3	3	19	776
75	0	0	0	0	483
85	0	0	0	0	80
90	0	0	0	0	0

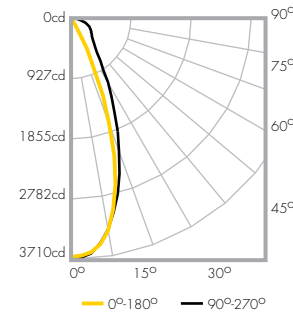
Illuminance at Distance



Lumenfacade HO 4'  
2700K  
30° x 60° optic

Lamping	61 W
Lumens	1915
Efficacy	31 lm/W

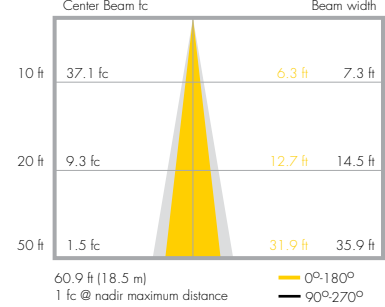
Polar Candela Distribution



Candela Table

	0	22.5	45	67.5	90
0	3710	3710	3710	3710	3710
5	3630	3624	3662	3624	3641
15	2637	2659	2772	2781	2797
25	850	1018	1321	1550	1588
35	119	156	363	688	802
45	25	30	75	327	481
55	10	14	24	191	386
65	6	6	10	106	315
75	3	3	3	42	196
85	0	0	0	3	34
90	0	0	0	0	0

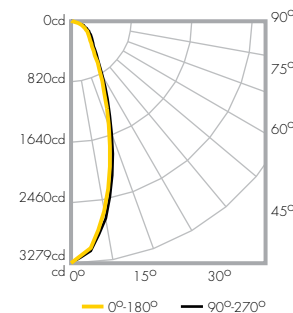
Illuminance at Distance



Lumenfacade HO 4'  
2700K  
60° x 60° optic

Lamping	61 W
Lumens	2660
Efficacy	43 lm/W

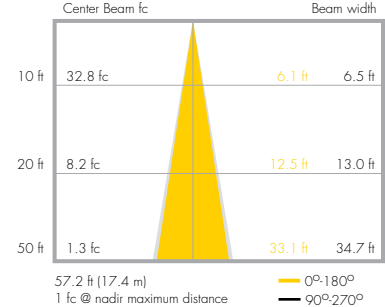
Polar Candela Distribution



Candela Table

	0	22.5	45	67.5	90
0	3279	3279	3279	3279	3279
5	3087	3047	3040	3067	3124
15	2040	2047	2093	2126	2164
25	1068	1092	1122	1162	1172
35	572	590	609	632	635
45	375	384	401	417	423
55	282	288	306	321	326
65	191	197	215	233	238
75	72	78	94	114	122
85	10	10	11	12	13
90	7	7	7	7	2

Illuminance at Distance



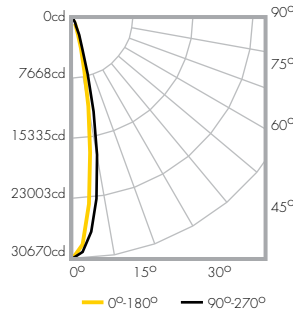
Photometric data based on test results from an independent NIST traceable testing lab. IES data is available at [www.lumenpulse.com/en/support](http://www.lumenpulse.com/en/support). Always refer to our website download section for the latest updates of our IES files.

## PHOTOMETRICS

Lumenfacade HO 4'  
3000K  
10° x 10° optic

Lamping	61 W
Lumens	2264
Efficacy	37 lm/W

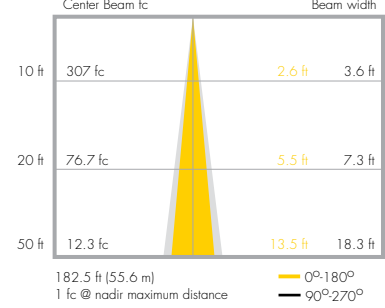
Polar Candela Distribution



Candela Table

	0	22.5	45	67.5	90
0	30670	30670	30670	30670	30670
5	23849	24323	25740	27039	27414
15	4021	4466	5836	7244	7517
25	598	583	585	653	674
35	182	180	144	132	142
45	68	61	58	62	67
55	33	31	27	33	36
65	22	22	20	19	22
75	15	16	15	14	11
85	15	14	14	10	3
90	14	14	14	14	1

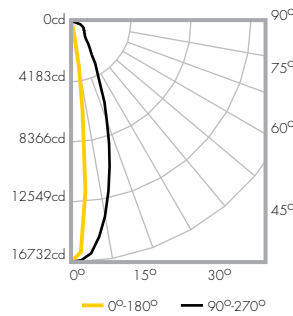
Illuminance at Distance



Lumenfacade HO 4'  
3000K  
10° x 60° optic

Lamping	60.9 W
Lumens	2947
Efficacy	48 lm/W

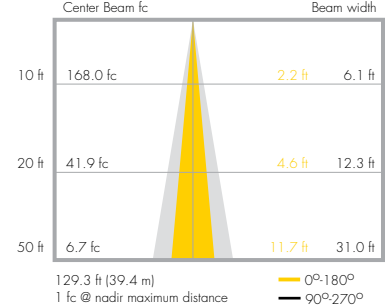
Polar Candela Distribution



Candela Table

	0	22.5	45	67.5	90
0	16732	16732	16732	16732	16732
5	12252	11890	13662	15328	16144
15	842	1084	1978	1120	10431
25	122	144	242	287	4902
35	82	82	102	134	2405
45	40	40	62	52	1521
55	10	10	10	51	1243
65	3	4	4	24	1021
75	0	0	0	0	638
85	0	0	0	0	102
90	0	0	0	0	0

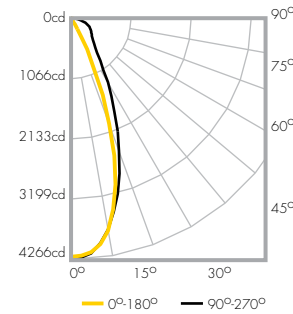
Illuminance at Distance



Lumenfacade HO 4'  
3000K  
30° x 60° optic

Lamping	60.3 W
Lumens	2202
Efficacy	36 lm/W

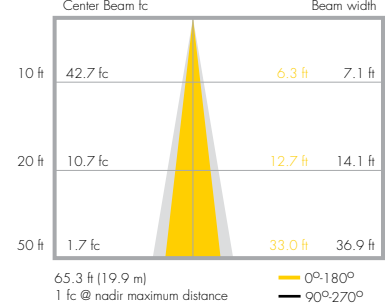
Polar Candela Distribution



Candela Table

	0	22.5	45	67.5	90
0	4266	4266	4266	4266	4266
5	4183	4175	4206	4159	4177
15	3028	3048	3169	3131	3132
25	920	1083	1453	1730	1733
35	122	162	379	777	873
45	25	32	80	367	540
55	11	13	24	213	439
65	8	8	11	117	355
75	4	4	4	44	214
85	0	0	0	3	32
90	0	0	0	0	0

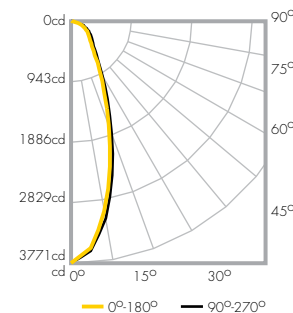
Illuminance at Distance



Lumenfacade HO 4'  
3000K  
60° x 60° optic

Lamping	62 W
Lumens	3023
Efficacy	48 lm/W

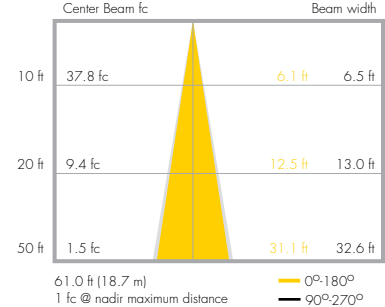
Polar Candela Distribution



Candela Table

	0	22.5	45	67.5	90
0	3771	3771	3771	3771	3771
5	3550	3504	3496	3527	3593
15	2346	2355	2407	2445	2489
25	1228	1256	1291	1336	1348
35	658	678	701	727	730
45	431	442	461	480	486
55	324	331	352	369	375
65	220	227	248	268	274
75	83	89	108	131	140
85	11	12	13	14	15
90	8	8	8	8	3

Illuminance at Distance



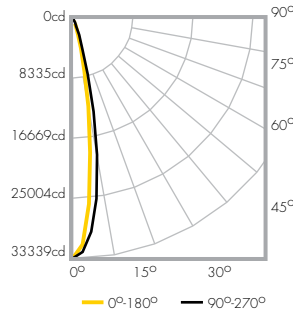
Photometric data based on test results from an independent NIST traceable testing lab. IES data is available at [www.lumenpulse.com/en/support](http://www.lumenpulse.com/en/support). Always refer to our website download section for the latest updates of our IES files.

## PHOTOMETRICS

Lumenfacade HO 4'  
4000K  
10° x 10° optic

Lamping	60.5 W
Lumens	2461
Efficacy	40 lm/W

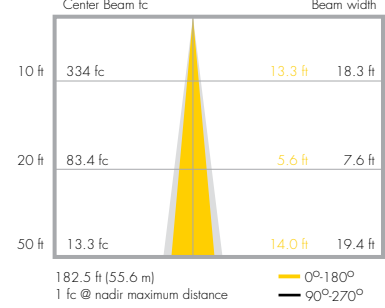
Polar Candela Distribution



Candela Table

	0	22.5	45	67.5	90
0	33339	33339	19941	33339	33339
5	25924	26440	27980	29392	29800
15	4371	4855	6344	7874	8171
25	650	634	636	710	732
35	198	196	157	144	154
45	74	67	63	67	73
55	36	34	30	36	39
65	24	24	22	20	24
75	17	17	16	16	12
85	17	15	15	11	3
90	15	15	15	15	2

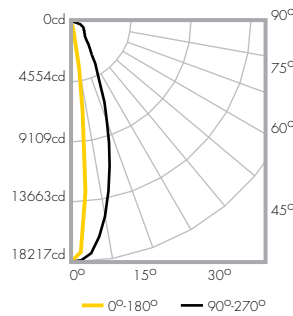
Illuminance at Distance



Lumenfacade HO 4'  
4000K  
10° x 60° optic

Lamping	60.5 W
Lumens	3203
Efficacy	52 lm/W

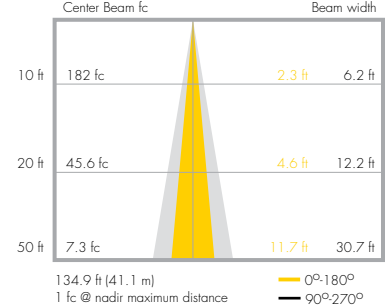
Polar Candela Distribution



Candela Table

	0	22.5	45	67.5	90
0	18217	18217	18217	18217	18217
5	12561	12763	14952	16663	17604
15	926	1142	2194	5662	11293
25	131	141	252	1177	5284
35	81	81	100	287	2476
45	40	40	61	120	1489
55	10	10	10	51	1177
65	4	4	4	24	970
75	0	0	0	0	603
85	0	0	0	0	100
90	0	0	0	0	0

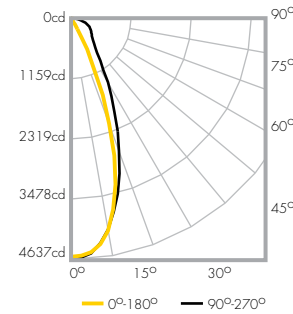
Illuminance at Distance



Lumenfacade HO 4'  
4000K  
30° x 60° optic

Lamping	60.6 W
Lumens	2394
Efficacy	39 lm/W

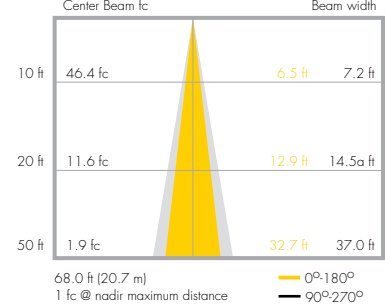
Polar Candela Distribution



Candela Table

	0	22.5	45	67.5	90
0	4637	4637	4637	4637	4637
5	4537	4531	4578	4531	4552
15	3297	3324	3466	3476	3497
25	1063	1273	1651	1938	1985
35	149	195	453	860	1003
45	31	38	94	409	601
55	13	17	30	239	482
65	8	8	13	132	394
75	4	4	4	28	132
85	0	0	0	4	43
90	0	0	0	0	0

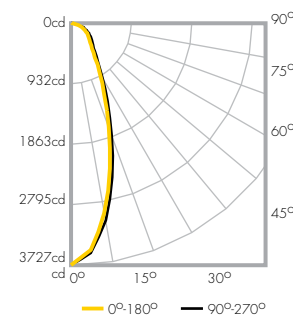
Illuminance at Distance



Lumenfacade HO 4'  
4000K  
60° x 60° optic

Lamping	62 W
Lumens	3023
Efficacy	48 lm/W

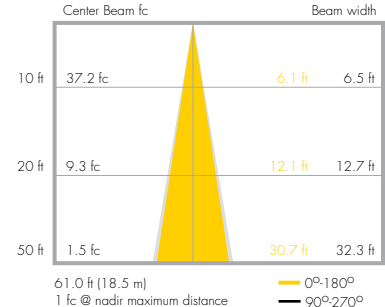
Polar Candela Distribution



Candela Table

	0	22.5	45	67.5	90
0	3727	3727	3727	3727	3727
5	3508	3462	3455	3485	3550
15	2319	2327	2379	2416	2460
25	1214	1241	1276	1321	1332
35	650	670	693	719	721
45	426	437	456	474	480
55	320	328	348	365	371
65	218	224	245	265	271
75	82	88	107	130	138
85	11	12	12	14	15
90	8	8	8	8	3

Illuminance at Distance



Photometric data based on test results from an independent NIST traceable testing lab. IES data is available at [www.lumenpulse.com/en/support](http://www.lumenpulse.com/en/support). Always refer to our website download section for the latest updates of our IES files.

## ACCESSORIES

Order separately

### Control Systems:

- LTO** Lumentouch is a wall mount DMX 512 controller keypad
- LCU** Lumencue is a USB / mini SD DMX 512 controller
- LID** LumenID is a serializing and addressing DMX 512 controller. It must be specified on all white DMX applications. Refer to LID specification sheet for details.

### CBOX :

**iCBOX-\_\_V-\_\_-\_\_** Interior DMX 512 dimming data box.  
Data input and output, M20 provision holes with plugs.  
Voltage input and output, M20 provision holes with plugs.  
Up to four outputs to fixtures, M20 provision holes with plugs.  
Please specify desired input voltage and finish.  
Refer to iCBOX specification sheet for details.

**CBOX-\_\_V-\_\_-\_\_** DMX 512 dimming data box.  
Data input and output, M20 provision holes with plugs.  
Voltage input and output, M20 provision holes with plugs.  
Up to four outputs to fixtures, M20 provision holes with plugs.  
Please specify desired input voltage and finish.  
Refer to CBOX specification sheet for details.

### Leader Cable :

**LOGIC\_\_** Leader Cable for Lumenfacade (3 conductor cable).  
Please add desired cable length : 6, 8 or 10 feet  
Sealing endcap is mandatory for any unused connector.  
(1) included with every leader cable

**LOGLCD\_\_** Leader Cable for dimming Lumenfacade (5 conductor cable).  
Please add desired cable length : 6, 8 or 10 feet  
Sealing endcap is mandatory for any unused connector.  
(1) included with every leader cable

### Jumper Cable :

**LOGJC\_\_** Jumper Cable for Lumenfacade (3 conductor cable).  
Please add desired cable length : 1, 2, 4 or 8 feet

**LOGJCD\_\_** Jumper Cable for dimming Lumenfacade (5 conductor cable).  
Please add desired cable length : 1, 2, 4 or 8 feet

### Radial Louver :

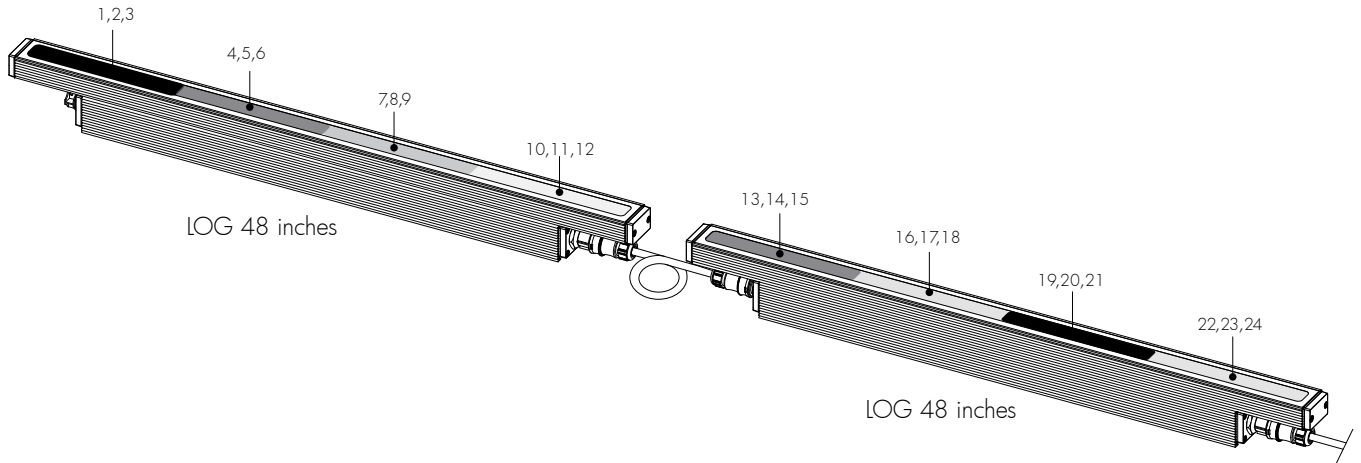
**LOGRD\_\_-\_\_** Radial louver for Lumenfacade.  
Please specify desired nominal length: 1', 2', 3' or 4' available.  
Please specify desired finish : BKM - Matte black  
or CC - Custom, please specify RAL color : \_\_\_\_\_



## RESOLUTION DETAILS APPLICABLE FOR DMX DIMMING OPTION ONLY

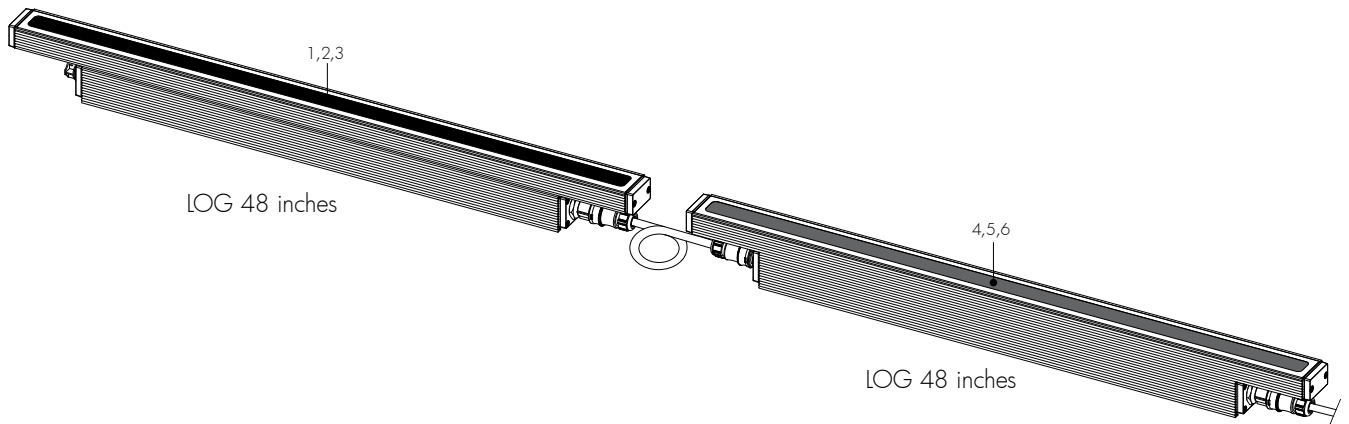
**DMX 1FT** - Resolution per foot: each foot is addressed independently (recommended for most installations).

DMX ADDRESSES:



**DMX 1FX** - Resolution per fixture: each fixture is addressed independently

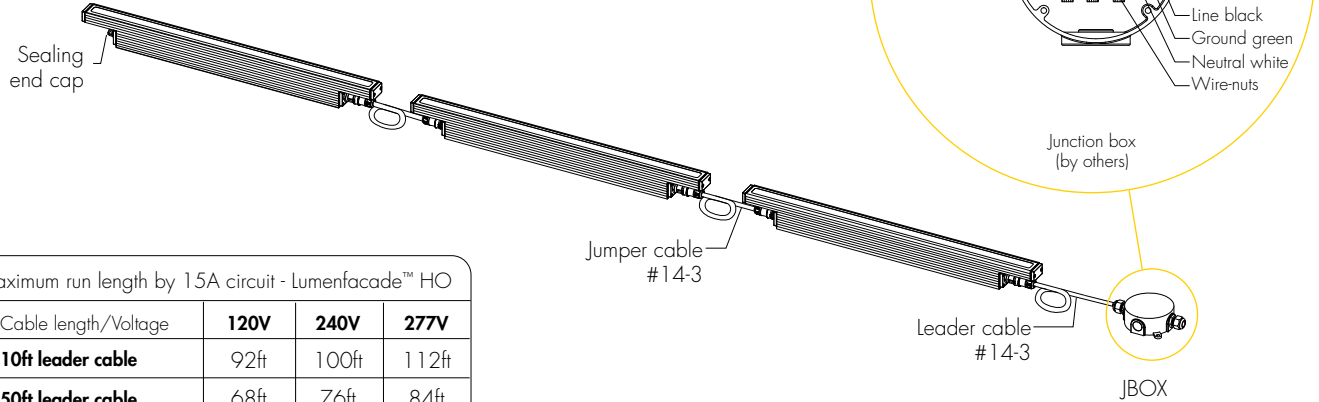
DMX ADDRESSES:



\*Warning: resolution is a factory setting and cannot be changed in the field.

## TYPICAL WIRING DIAGRAMS

### Non-Dimming Version



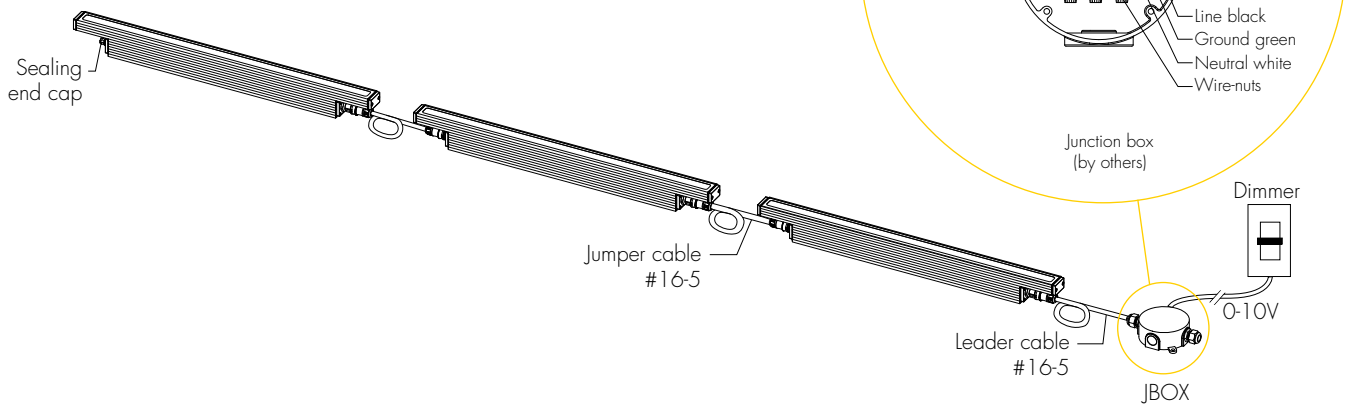
Maximum run length by 15A circuit - Lumenfacade™ HO			
Cable length/Voltage	120V	240V	277V
10ft leader cable	92ft	100ft	112ft
50ft leader cable	68ft	76ft	84ft

Maximum run length by 15A circuit - Lumenfacade™ RO			
Cable length/Voltage	120V	240V	277V
10ft leader cable	152ft	168ft	184ft
50ft leader cable	120ft	132ft	148ft

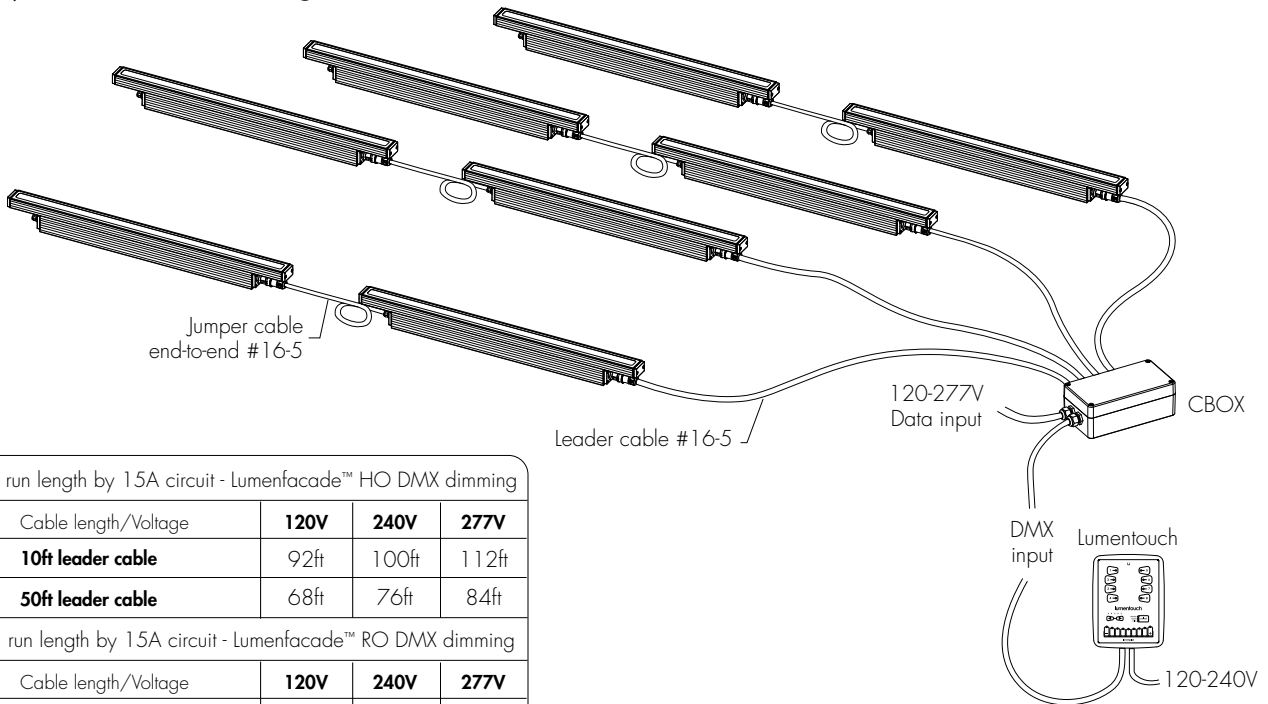
ASHRAE Code Compliant - Lumenfacade™ 5W/ft Maximum run length by 15A circuit			
Cable length/Voltage	120V	240V	277V
10ft leader cable	180ft	250ft	300ft
50ft leader cable	168ft	230ft	280ft

### Dimming Version (0-10V)



## TYPICAL WIRING DIAGRAMS - continued from page 9

### Star Layout (DMX Dimming)

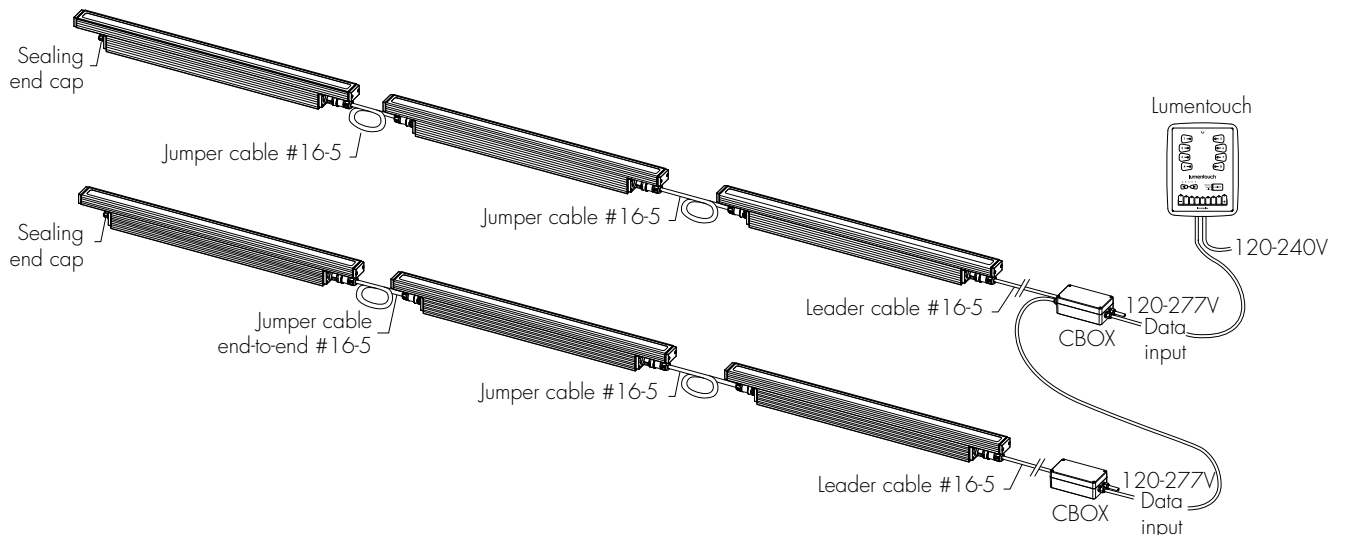


Maximum run length by 15A circuit - Lumenfacade™ HO DMX dimming			
Cable length/Voltage	120V	240V	277V
10ft leader cable	92ft	100ft	112ft
50ft leader cable	68ft	76ft	84ft
Maximum run length by 15A circuit - Lumenfacade™ RO DMX dimming			
Cable length/Voltage	120V	240V	277V
10ft leader cable	152ft	168ft	170ft
50ft leader cable	120ft	132ft	148ft

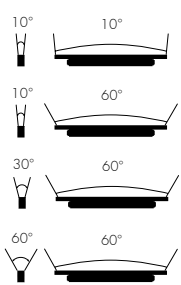


ASHRAE Code Compliant - Lumenfacade™ 5W/ft DMX dimming Maximum run length by 15A circuit			
Cable length/Voltage	120V	240V	277V
10ft leader cable	170ft	170ft	170ft
50ft leader cable	168ft	170ft	170ft

\*Up to 170 individually addressable 1 foot sections per DMX run.  
Consult factory for specific applications.

### Daisy Chain Layout (DMX Dimming)



## HOW TO ORDER

LOG	Housing	Voltage	Length	Colors and color temperatures	Optic	Mounting	Finish	Dimming	Option
	1	2	3	4	5	6	7	8	9
1	<p><b>Housing:</b></p> <p><b>LOG ASHRAE</b> - lumenfacade™, 5W/ft ASHRAE compliant</p> <p><b>LOG RO</b> - lumenfacade™ Regular Output, 8.5W/ft</p> <p><b>LOG HO</b> - lumenfacade™ High Output, 15.25W/ft</p>								
2		<p><b>Voltage:</b></p> <p><b>120</b> - 120 volts</p> <p><b>208</b> - 208 volts</p> <p><b>240</b> - 240 volts</p> <p><b>277</b> - 277 volts</p>							
3			<p><b>Length:</b></p> <p><b>12</b> - 13 3/8 inches (340mm) (2 kg/4.5 lbs)</p> <p><b>24</b> - 25 3/8 inches (645mm) (3.17 kg/7 lbs)</p> <p><b>36</b> - 37 3/8 inches (949mm) (4.75 kg/10.5 lbs)</p> <p><b>48</b> - 49 3/8 inches (1254mm) (6.35 kg/14 lbs)</p>						
4				<p><b>Colors and Color temperatures:</b></p> <p><b>27K</b> - 2700K</p> <p><b>30K</b> - 3000K</p> <p><b>40K</b> - 4000K</p> <p><b>RD</b> - Red</p> <p><b>GR</b> - Green</p> <p><b>BL</b> - Blue</p>					
5					<p><b>Optics:</b></p> <p><b>10x10</b> - 10° x 10°</p> <p><b>10x60</b> - 10° x 60°</p> <p><b>30x60</b> - 30° x 60°</p> <p><b>60x60</b> - 60° x 60°</p> 				
6						<p><b>Mounting:</b></p> <p><b>UMP</b> - Fixed Mounting</p> <p><b>UMAS</b> - Universal Adjustable Mounting</p> <p><b>WAM2</b> - Adjustable Wall Mounting 2"</p> <p><b>WAM6</b> - Adjustable Extended Arm Mounting 6"</p> <p><b>WAM12</b> - Adjustable Extended Arm Mounting 12"</p>			
7							<p><b>Finish:</b></p> <p><b>SI</b> - Silver SandText</p> <p><b>BK</b> - Black SandText</p> <p><b>WH</b> - White</p> <p><b>CC</b> - Custom (please specify RAL color)</p>		
8								<p><b>Dimming:</b></p> <p><b>DIM</b> - 0-10V Dimming option</p> <p><b>DMX 1FT</b> - DMX Dimming option, resolution per foot </p> <p><b>DMX 1FX</b> - DMX Dimming option, resolution per fixture </p> <p><b>DALI</b> - DALI Dimming option</p> <p><b>NO</b> - No Dimming</p>	
9									<p><b>Option:</b></p> <p><b>ETE</b> - End - to - end configuration, no jumper cable needed</p>