

Client: \_\_\_\_\_

Project name: \_\_\_\_\_

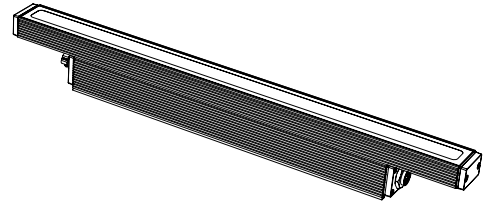
Order # \_\_\_\_\_

Type: \_\_\_\_\_ Qty: \_\_\_\_\_

## FEATURES AND BENEFITS

### Physical :

- Low copper content extruded aluminum housing
- Available in 1', 2', 3' or 4' sections
- Electro-statically applied polyester powder coat finish
- Machined aluminum end caps and silicone gaskets
- Stainless steel hardware
- Clear tempered glass
- 10° x 10°, 10° x 60°, 30° x 60° or 60° x 60° optics
- IP66



### Performance :

- Minimum 1fc (10.7 lux) @ 107 feet (32.6m) distance (4' unit, 10° x 60° optic)
- 2,065 delivered lumens and 11,458 candelas at nadir (4' unit, 10° x 60° optic)
- Lumen maintenance L70 @ 25°C - 120,000 hrs
- Lumen measurements comply with LM - 79 - 08 standard
- Resolution per foot or per fixture (see page 5)
- Operating temperatures: -25°C to 50°C

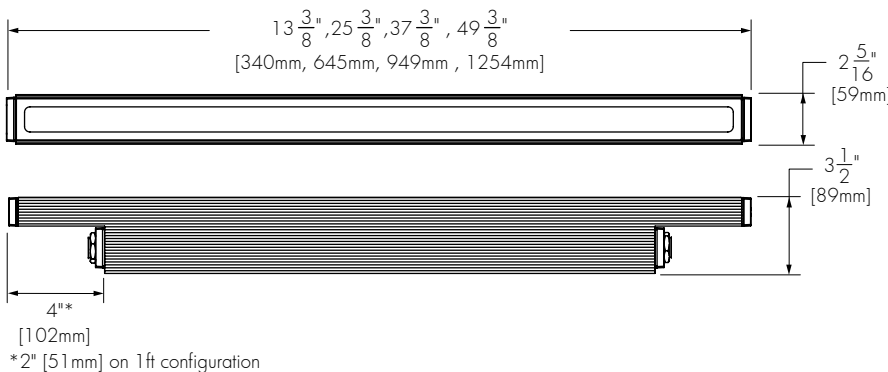


### Electrical :

- Line voltage luminaire for 120 to 277V
- Power and data in 1 cable (#16-5)
- Up to 112 feet with 1 power & data feed
- 17.25W/ft
- DMX 512 ready

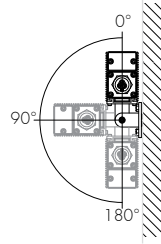
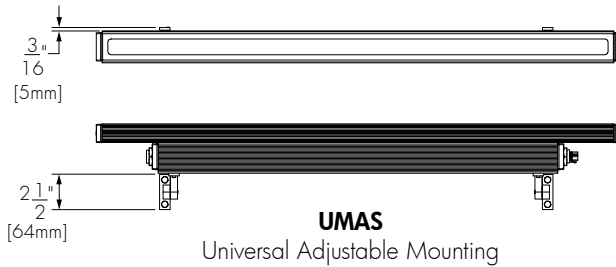
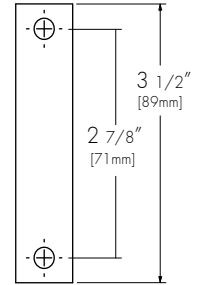
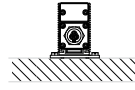
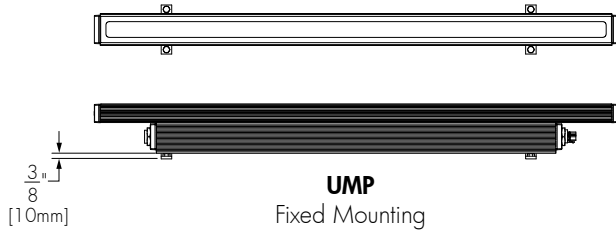
### Wiring detail - male connector

PIN ID	WIRE COLOR	USE
⊥	GREEN	GROUND
N	WHITE	NEUTRAL
1	BLACK	LIVE 120-277V
2	RED	0-10V / DATA +
3	ORANGE	0-10V / DATA -

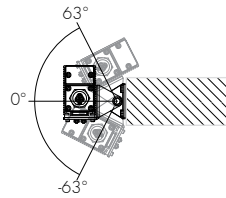
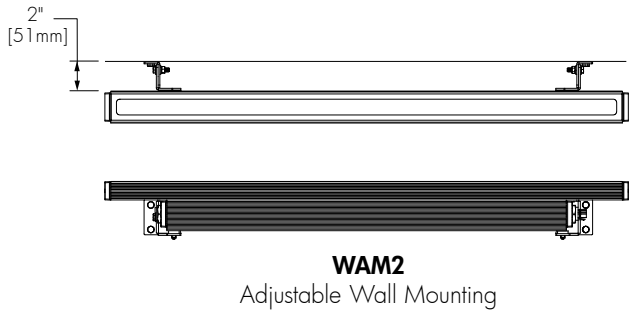
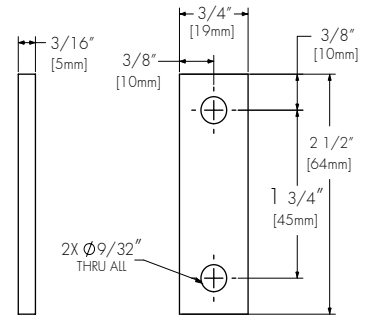


5 year warranty

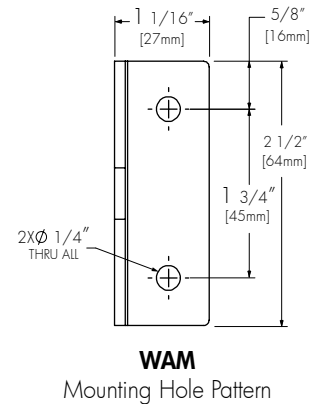
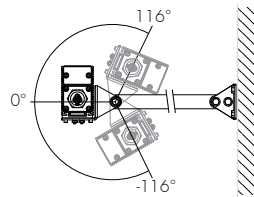
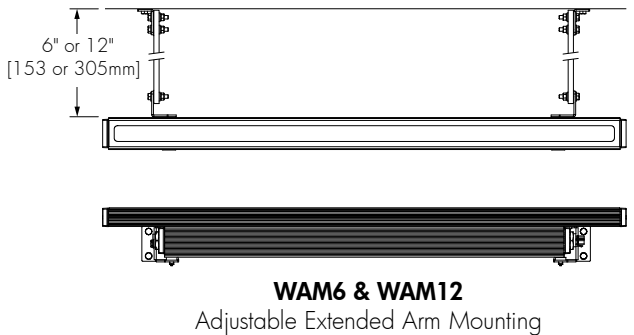
## MOUNTING AND ADJUSTABLE PIVOTS



**UMP**  
Mounting Hole Pattern

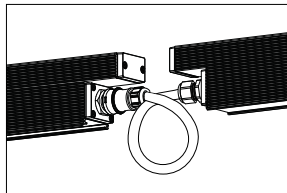


**UMAS**  
Mounting Hole Pattern



## OPTION

**ETE** - End-to-end configuration, no jumper cable needed. 16" cable included at input.

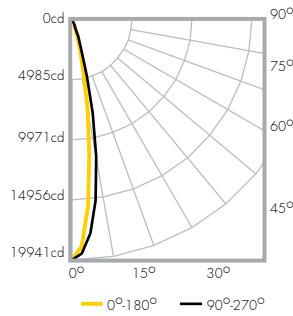


## PHOTOMETRICS

Lumenfacade 4'  
RGB  
10° x 10° optic

Lamping	68 W
Lumens	1472
Efficacy	21 lm/W

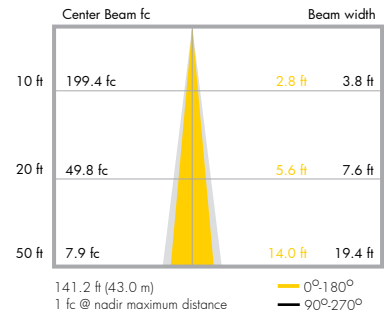
Polar Candela Distribution



Candela Table

	0	22.5	45	67.5	90
0	19941	19941	19941	19941	19941
5	15506	15814	16736	17580	17824
15	2615	2904	3794	4710	4887
25	389	379	381	424	438
35	118	117	94	86	92
45	44	40	37	40	43
55	22	20	18	21	24
65	14	14	13	12	14
75	10	10	10	9	7
85	10	9	9	7	2
90	9	9	9	9	1

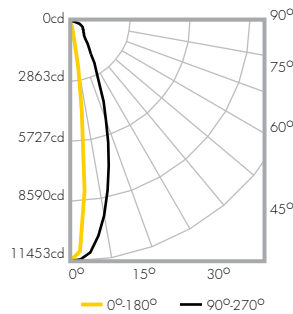
Illuminance at Distance



Lumenfacade 4'  
RGB  
10° x 60° optic

Lamping	68.8 W
Lumens	2065
Efficacy	30 lm/W

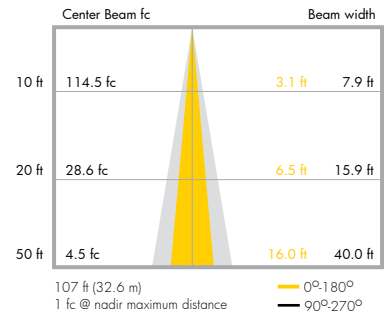
Polar Candela Distribution



Candela Table

	0	22.5	45	67.5	90
0	11453	11453	11453	11453	11453
5	8120	8165	9476	10457	11083
15	547	676	1348	3680	7135
25	89	94	165	747	3348
35	54	58	72	184	1593
45	26	26	35	80	958
55	9	9	9	31	770
65	3	3	3	12	639
75	0	0	0	0	393
85	0	0	0	0	63
90	0	0	0	0	0

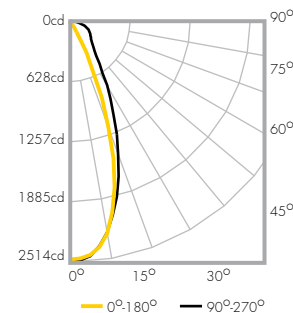
Illuminance at Distance



Lumenfacade 4'  
RGB  
30° x 60° optic

Lamping	67.4 W
Lumens	1584
Efficacy	23 lm/W

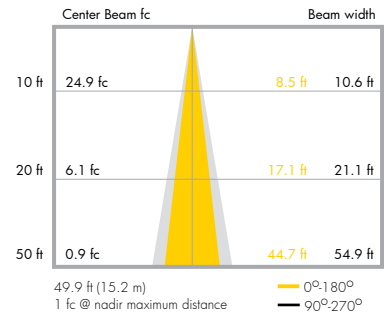
Polar Candela Distribution



Candela Table

	0	22.5	45	67.5	90
0	2493	2493	2493	2493	2493
5	2453	2447	2473	2450	2461
15	1795	1805	1902	1878	1898
25	569	671	899	1058	1079
35	80	107	241	472	542
45	15	18	51	222	326
55	6	8	15	131	262
65	5	4	6	74	215
75	2	2	2	28	133
85	0	0	0	2	22
90	0	0	0	0	0

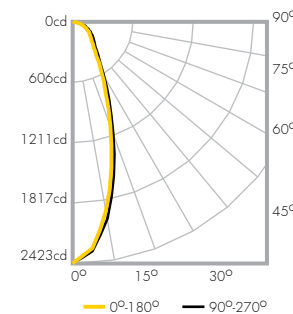
Illuminance at Distance



Lumenfacade 4'  
RGB  
60° x 60° optic

Lamping	69 W
Lumens	1965
Efficacy	28 lm/W

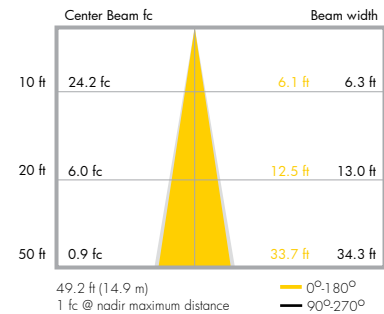
Polar Candela Distribution



Candela Table

	0	22.5	45	67.5	90
0	2423	2423	2423	2423	2423
5	2280	2251	2246	2265	2308
15	1507	1512	1546	1571	1599
25	789	807	829	858	866
35	423	436	450	467	469
45	277	284	296	308	312
55	208	213	226	237	241
65	141	146	159	172	176
75	53	57	69	84	90
85	7	8	8	9	10
90	5	5	5	5	2

Illuminance at Distance



Photometric data based on test results from an independent NIST traceable testing lab. IES data is available at [www.lumenpulse.com/en/support](http://www.lumenpulse.com/en/support). Always refer to our website download section for the latest updates of our IES files.

## ACCESSORIES

Order separately

### Control Systems:

- LTO** Lumentouch is a wall mount DMX 512 controller keypad
- LCU** Lumencue is a USB / mini SD DMX 512 controller
- LID** LumenID is a serializing and addressing DMX 512 controller.  
It must be specified on all DMX applications.  
Refer to LID specification sheet for details.

### CBOX :

**iCBOX-\_\_V-\_\_-\_\_** Interior DMX 512 data box.  
Data input and output, M20 provision holes with plugs.  
Voltage input and output, M20 provision holes with plugs.  
Up to four outputs to fixtures, M20 provision holes with plugs.  
Please specify desired input voltage and finish.  
Refer to iCBOX specification sheet for details.

**CBOX-\_\_V-\_\_-\_\_** DMX 512 data box.  
Data input and output, M20 provision holes with plugs.  
Voltage input and output, M20 provision holes with plugs.  
Up to four outputs to fixtures, M20 provision holes with plugs.  
Please specify desired input voltage and finish.  
Refer to CBOX specification sheet for details.

### Leader Cable RGB :

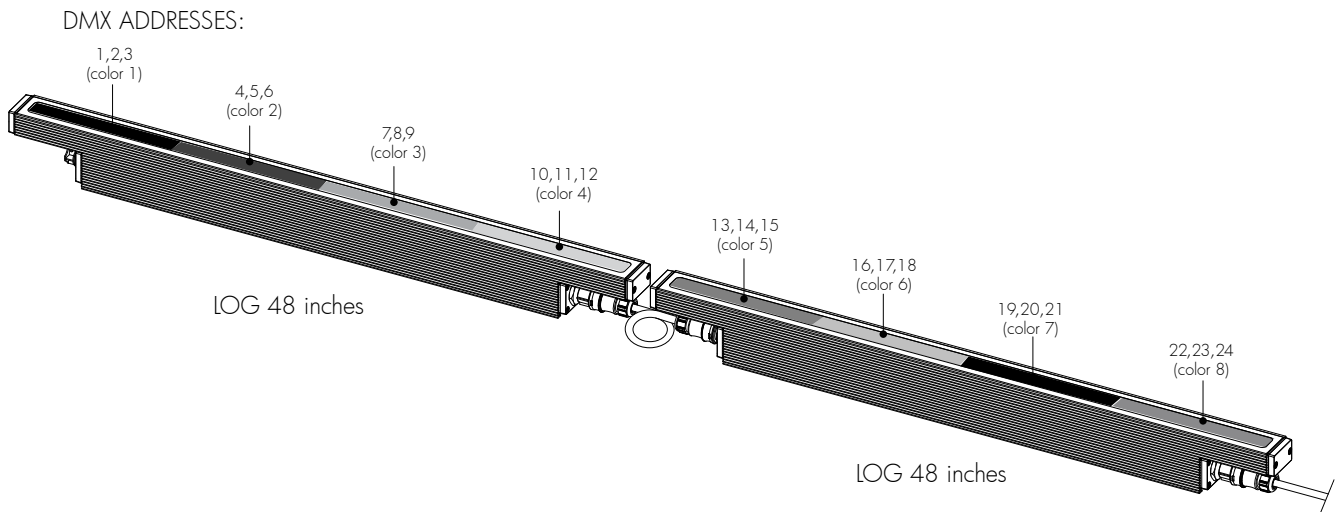
**LOGLCD\_\_** Leader Cable for Lumenfacade RGB.  
Please add desired cable length : 6, 8 or 10 feet  
Sealing endcap is mandatory for any unused connector.  
(1) included with every leader cable

### Jumper Cable RGB :

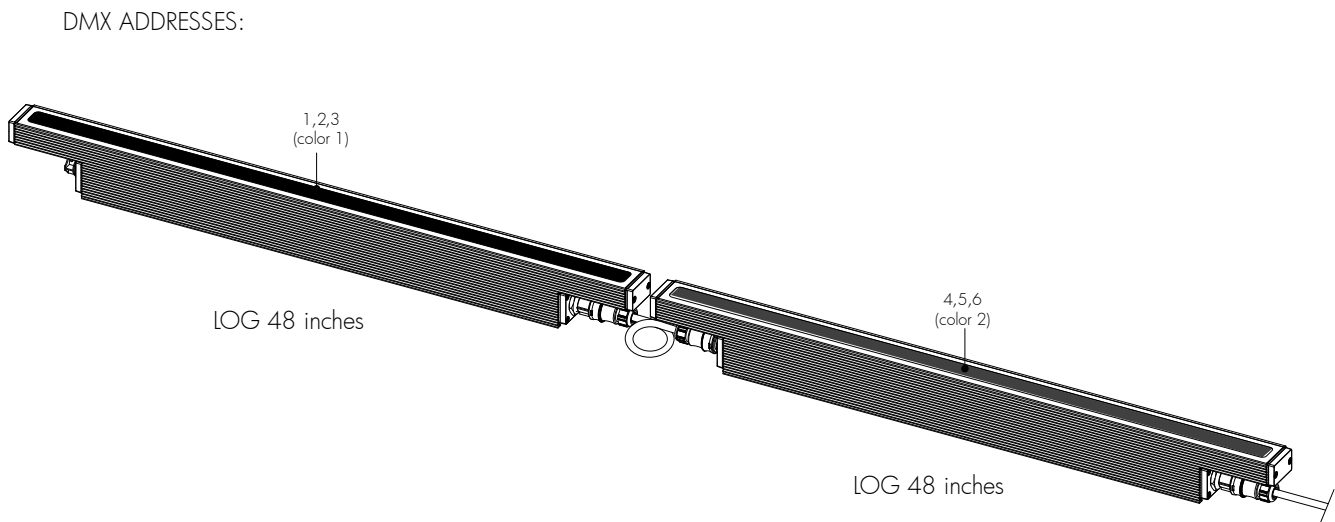
**LOGJCD\_\_** Jumper Cable for Lumenfacade RGB.  
Please add desired cable length : 1, 2, 4 or 8 feet

## RESOLUTION DETAILS

**1FT** - Resolution per foot: each foot is addressed independently (recommended for most installations).



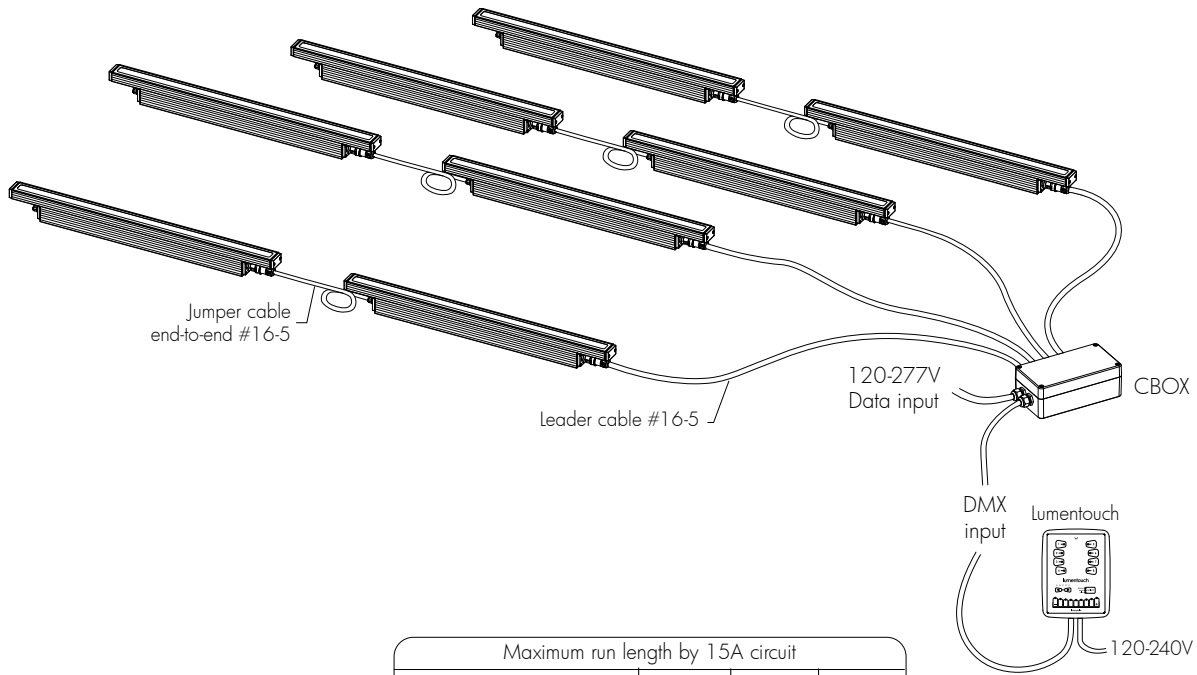
**1FX** - Resolution per fixture: each fixture is addressed independently



\*Warning: resolution is a factory setting and cannot be changed in the field.

## TYPICAL WIRING DIAGRAMS

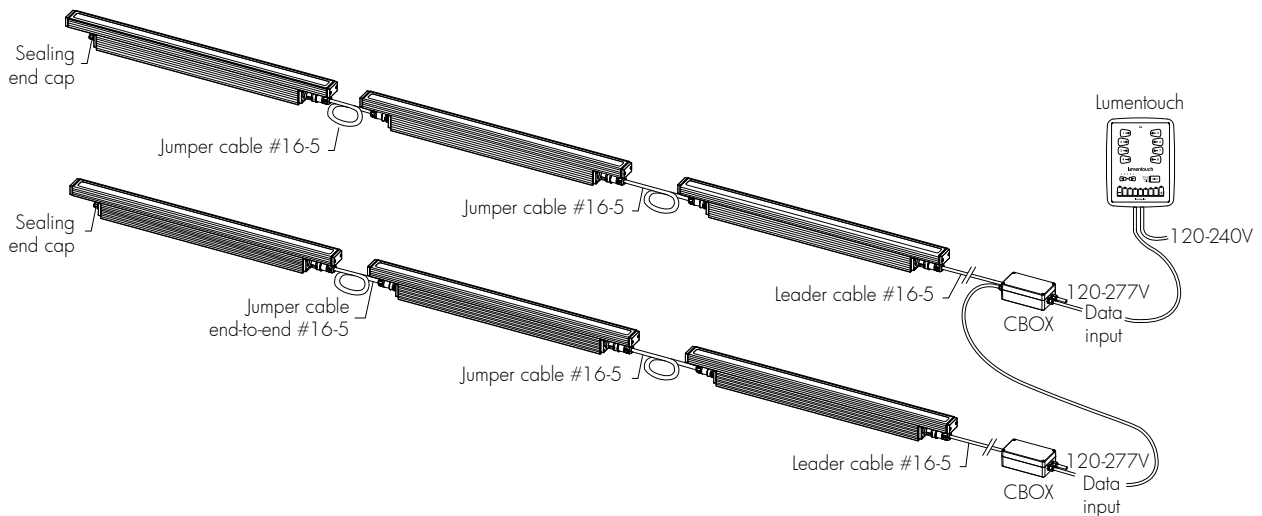
### Star Layout (DMX)






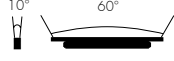
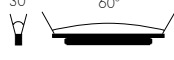
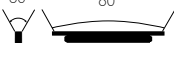
Maximum run length by 15A circuit			
Cable length/Voltage	120V	240V	277V
10ft leader cable	92ft	100ft	112ft
50ft leader cable	72ft	80ft	88ft

\*Up to 170 individually addressable 1 foot sections per DMX run.  
Consult factory for specific applications.

### Daisy Chain Layout (DMX)



## HOW TO ORDER

LOG	RGB							
Housing	Voltage	Length	Colors and color temperatures	Resolution	Optic	Mounting	Finish	Option
1	2	3	4	5	6	7	8	9
<p><b>1</b></p> <p><b>Housing:</b> LOG - Lumenfacade™</p>	<p><b>2</b></p> <p><b>Voltage:</b> 120 - 120 volts 208 - 208 volts 240 - 240 volts 277 - 277 volts</p>	<p><b>3</b></p> <p><b>Length:</b> 12 - 13 3/8 inches (340mm) (2 kg/4.5 lbs) 24 - 25 3/8 inches (645mm) (3.17 kg/7 lbs) 36 - 37 3/8 inches (949mm) (4.75 kg/10.5 lbs) 48 - 49 3/8 inches (1254mm) (6.35 kg/14 lbs)</p>	<p><b>4</b></p> <p><b>Colors and Color temperatures:</b> RGB - 16.7 million colors, additive RGB</p>	<p><b>5</b></p> <p><b>Resolution:</b> 1FT - Resolution per foot  1FX - Resolution per fixture </p>	<p><b>6</b></p> <p><b>Optics:</b> 10x10 - 10° x 10°  10x60 - 10° x 60°  30x60 - 30° x 60°  60x60 - 60° x 60° </p>	<p><b>7</b></p> <p><b>Mounting:</b> UMP - Fixed Mounting UMAS - Universal Adjustable Mounting WAM2 - Adjustable Wall Mounting 2" WAM6 - Adjustable Extended Arm Mounting 6" WAM12 - Adjustable Extended Arm Mounting 12"</p>	<p><b>8</b></p> <p><b>Finish:</b> SI - Silver SandText BK - Black SandText WH - White CC - Custom (please specify RAL color)</p>	<p><b>9</b></p> <p><b>Option:</b> ETE - End - to - end configuration, no jumper cable needed</p>