

ACCESSORIES

Order separately

Control Systems:

- LTO** Lumentouch is a wall mount DMX 512 controller keypad
- LCU** Lumencue is a USB / mini SD DMX 512 controller
- LID** LumenID is a serializing and addressing DMX 512 controller. It must be specified on all white DMX applications. Refer to LID specification sheet for details.

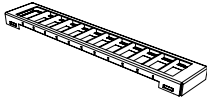
CBOX :

iCBOX-__V-__-__ Interior DMX 512 dimming data box.
Data input and output, M20 provision holes with plugs.
Voltage input and output, M20 provision holes with plugs.
Up to four outputs to fixtures, M20 provision holes with plugs.
Please specify desired input voltage and finish.
Refer to iCBOX specification sheet for details.

CBOX-__V-__-__ DMX 512 dimming data box.
Data input and output, M20 provision holes with plugs.
Voltage input and output, M20 provision holes with plugs.
Up to four outputs to fixtures, M20 provision holes with plugs.
Please specify desired input voltage and finish.
Refer to CBOX specification sheet for details.

Radial Louver :

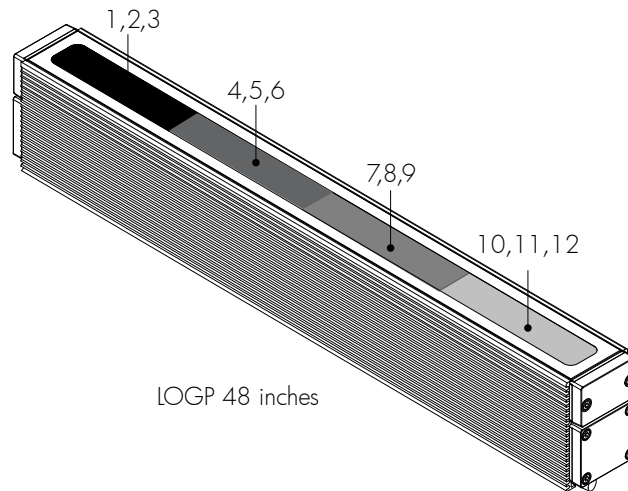
LOGRD __-__ Radial louver for Lumenfacade.
Please specify desired nominal length: 1', 2', 3' or 4' available.
Please specify desired finish : BKM - Matte black
or CC - Custom, please specify RAL color : _____



RESOLUTION DETAILS APPLICABLE FOR DMX DIMMING OPTION ONLY

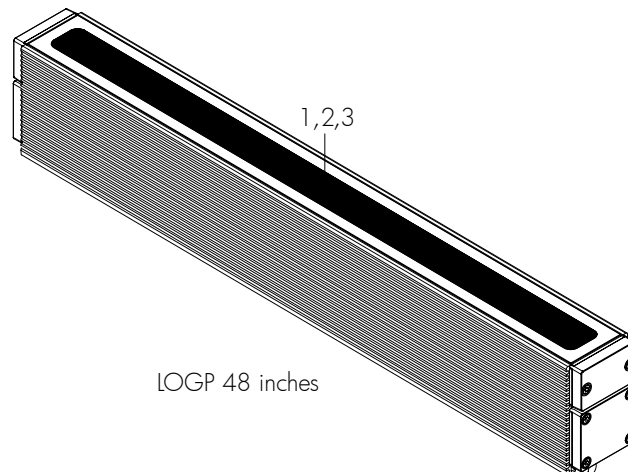
DMX 1FT - Resolution per foot: each foot is addressed independently (recommended for most installations).

DMX ADDRESSES:



DMX 1FX - Resolution per fixture: each fixture is addressed independently

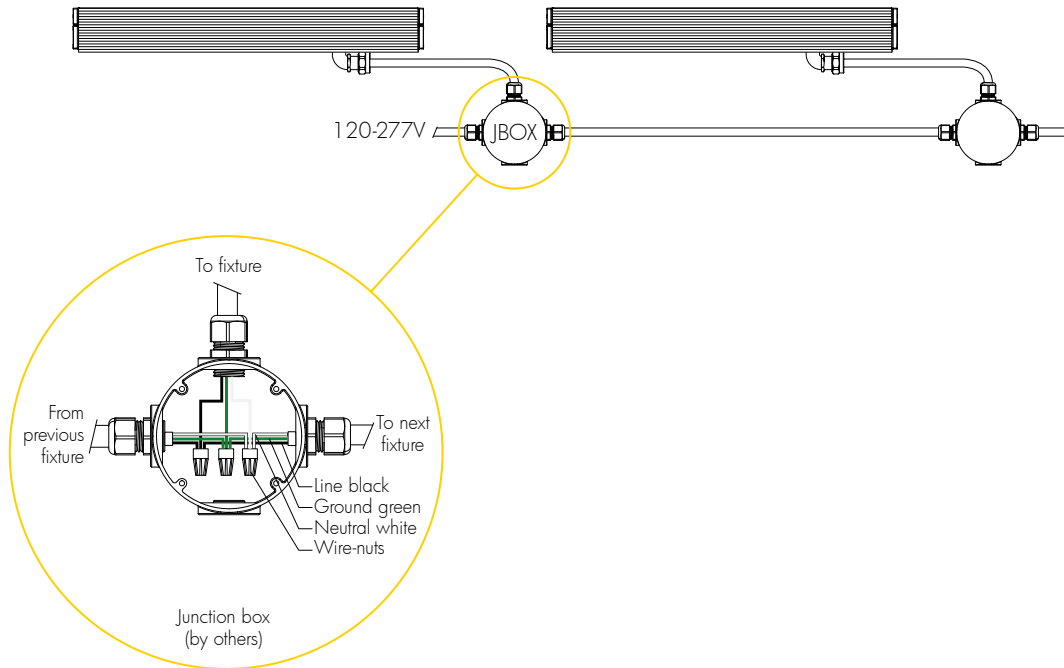
DMX ADDRESSES:



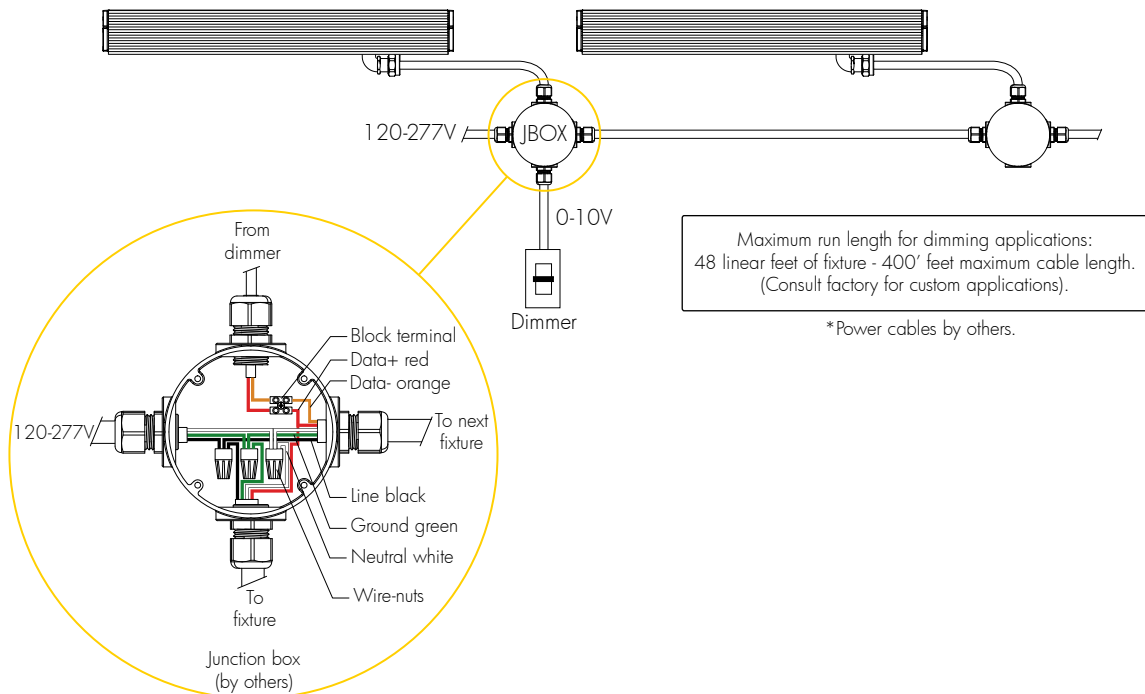
*Warning: resolution is a factory setting and cannot be changed in the field.

TYPICAL WIRING DIAGRAMS

Non-Dimming Version

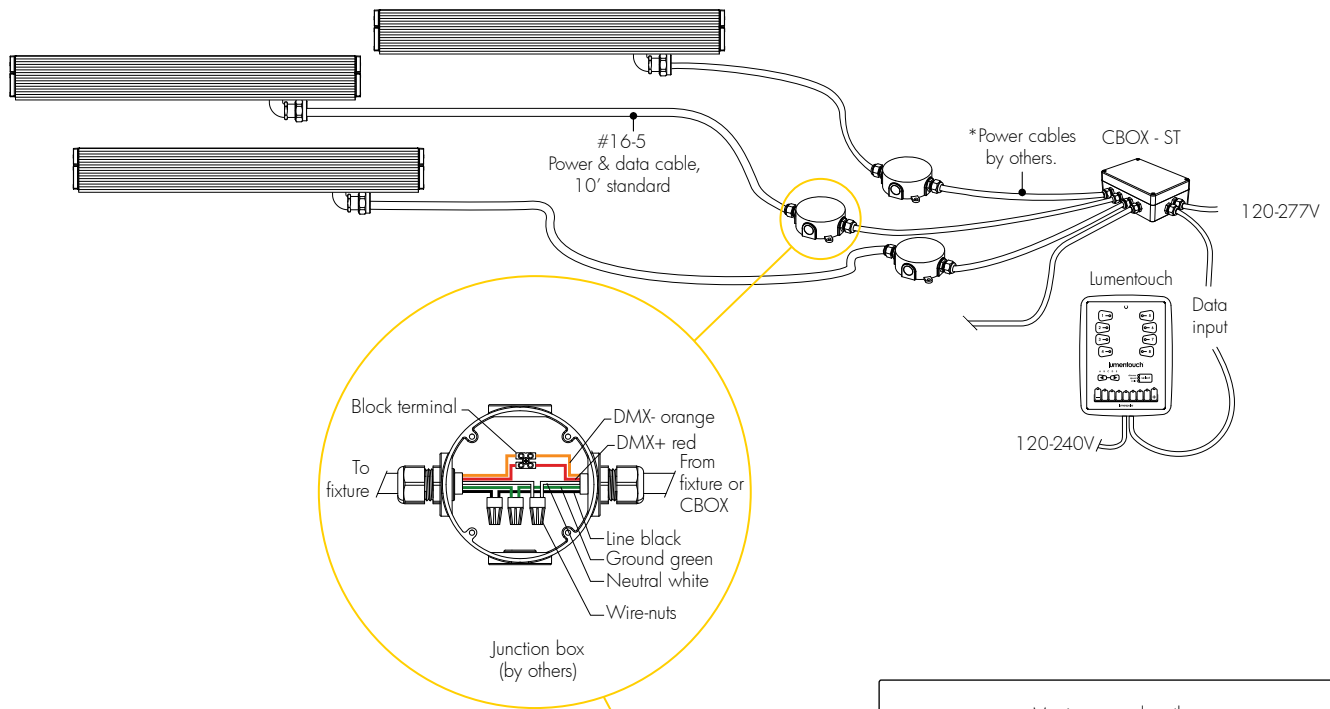


Dimming Version (0-10V)



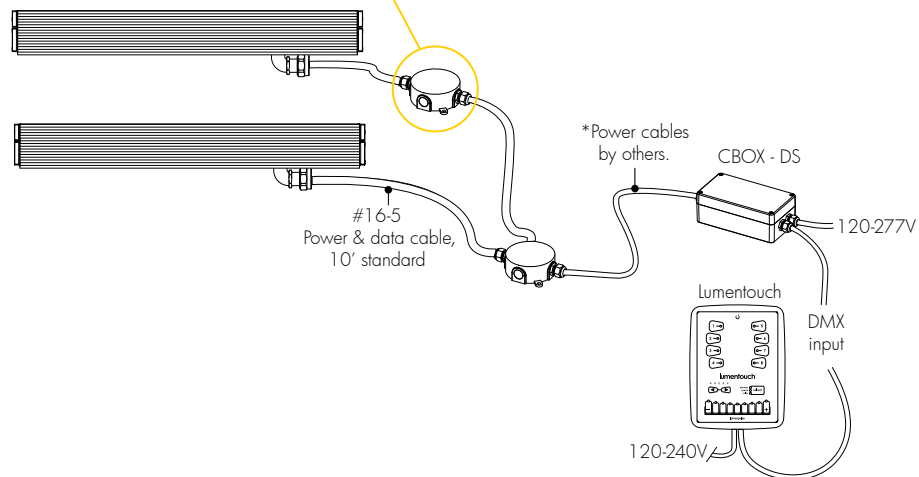
TYPICAL WIRING DIAGRAMS - continued from page 10

DMX Dimming Version (Star layout)



Maximum run length:
48 linear feet of fixture - 400' feet maximum cable length.
(Consult factory for custom applications).

DMX Dimming Version (Daisy Chain layout)



HOW TO ORDER

LOGP

Housing	Voltage	Length	Colors and color temperatures	Optic	Mounting	Finish	Dimming	Option
1	2	3	4	5	6	7	8	9

1

Housing:

- LOGP ASHRAE** - Lumenfacade™ Stand Alone, 5W/ft ASHRAE compliant
- LOGP RO** - Lumenfacade™ Stand Alone Regular Output, 8.5W/ft
- LOGP HO** - Lumenfacade™ Stand Alone High Output, 15.25W/ft

2

Voltage:

- 120** - 120 volts
- 208** - 208 volts
- 240** - 240 volts
- 277** - 277 volts

3

Length:

- 12** - 13 3/8 inches (340mm) (2 kg/4.5 lbs)
- 24** - 25 3/8 inches (645mm) (3.17 kg/7 lbs)
- 36** - 37 3/8 inches (949mm) (4.75 kg/10.5 lbs)
- 48** - 49 3/8 inches (1254mm) (6.35 kg/14 lbs)

4

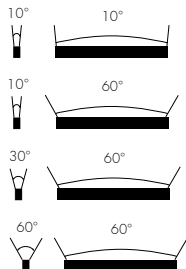
Colors and Color temperatures:

- 27K** - 2700K
- 30K** - 3000K
- 40K** - 4000K
- RD** - Red
- GR** - Green
- BL** - Blue

5

Optics:

- 10x10** - 10° x 10°
- 10x60** - 10° x 60°
- 30x60** - 30° x 60°
- 60x60** - 60° x 60°



6

Mounting:

- UMP** - Fixed Mounting
- UMAS** - Universal Adjustable Mounting
- WAM2** - Adjustable Wall Mounting 2"
- WAM6** - Adjustable Extended Arm Mounting 6"
- WAM12** - Adjustable Extended Arm Mounting 12"
- STEM1** - Stem Mounting 1 foot
- STEM2** - Stem Mounting 2 feet
- STEM4** - Stem Mounting 4 feet

7

Finish:

- SI** - Silver SandText
- BK** - Black SandText
- MS** - Metallic Silver semi-gloss
- WH** - White
- CC** - Custom (please specify RAL color)

8

Dimming:

- DIM** - 0-10V Dimming option
- DMX 1FT** - DMX Dimming option, resolution per foot
- DMX 1FX** - DMX Dimming option, resolution per fixture
- DALI** - DALI Dimming option
- NO** - No Dimming



9

Option:

- A** - 90° angle cord output, bottom feed