

Client: _____
 Project name: _____
 Order #: _____
 Type: _____ Qty: _____

FEATURES AND BENEFITS

Physical :

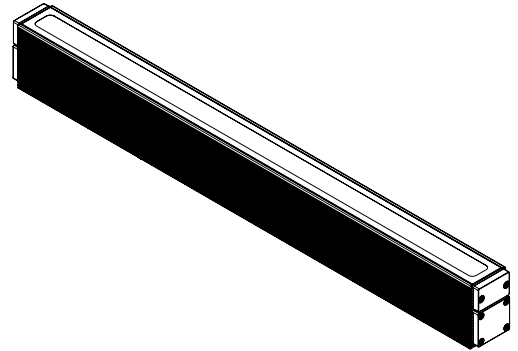
- Low copper content extruded aluminum housing
- Available in 1', 2', 3' or 4' sections
- Electro-statically applied polyester powder coat finish
- Machined aluminum end caps and silicone gaskets
- Stainless steel hardware
- Clear tempered glass
- 10° x 10°, 10° x 60°, 30° x 60° or 60° x 60° optics
- IP66

Performance :

- Minimum 1 fc (10.7 lux) @ 107 feet (32.6m) distance (4' unit, 10° x 60° optic).
- 2,065 delivered lumens and 11,458 candelas at nadir (4' unit, 10° x 60° optic).
- Lumen maintenance L70 @ 25°C - 120,000 hrs
- Lumen measurements comply with LM - 79 - 08 standard
- Resolution per foot or per fixture (see page 6)
- Operating temperatures: -25°C to 50°C

Electrical :

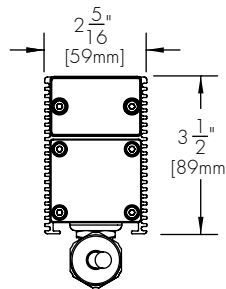
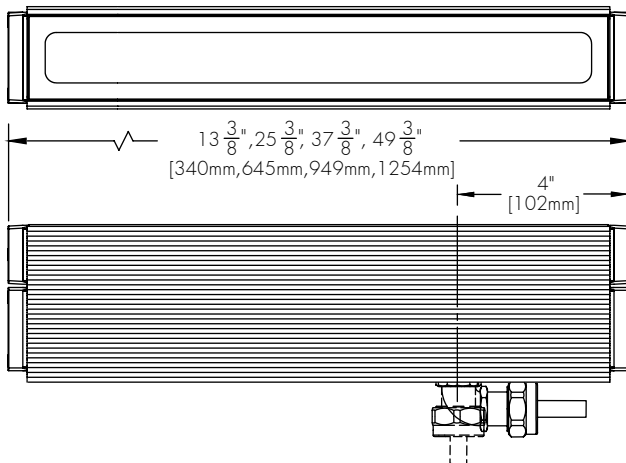
- Line voltage luminaire for 120 to 277V
- Power and data in 1 cable (#16-5)
- Up to 92 feet with 1 power & data feed
- Standard 10ft cord
- 17.25W/ft
- DMX 512 ready



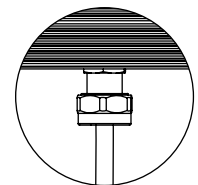
Wiring detail

WIRE COLOR / USE

GREEN	GROUND
WHITEN	EUTRAL
BLACKL	IVE 120-277V
RED	0-10V / DATA +
ORANGE	0-10V / DATA -

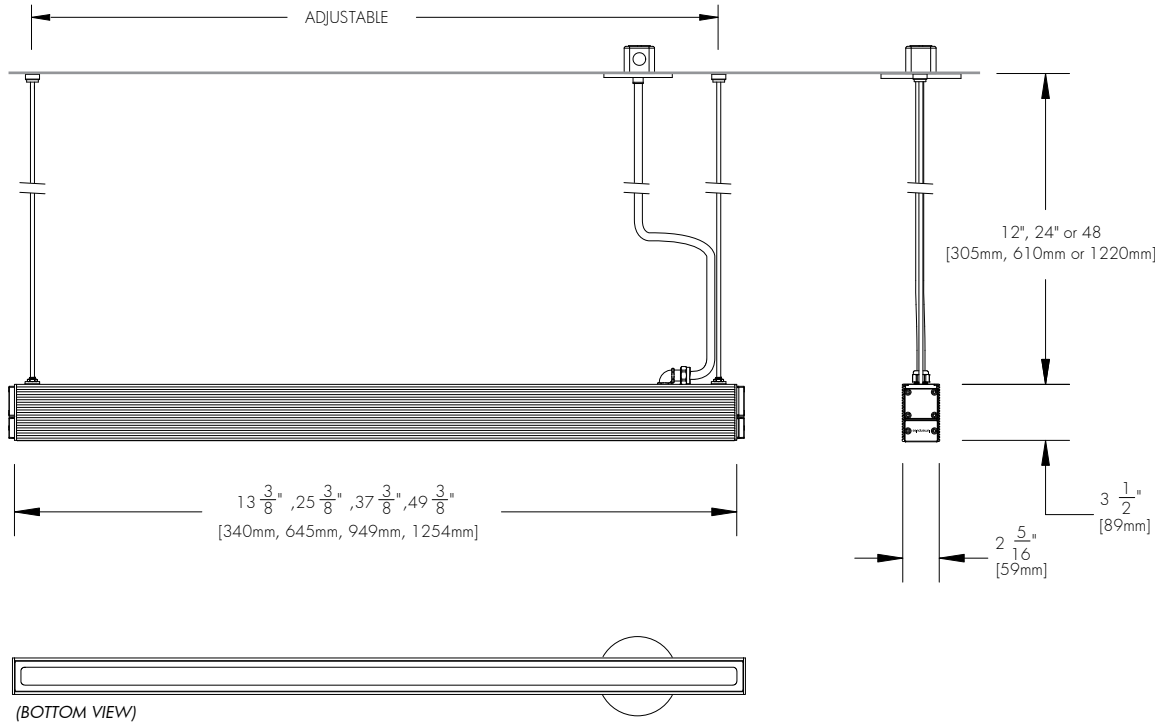


Standard straight cord
output, bottom feed



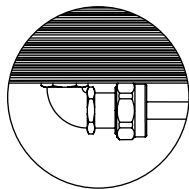
5 year warranty

MOUNTING AND ADJUSTABLE PIVOTS (continued from page 2)



OPTION

A - 90° angle cord output
bottom feed



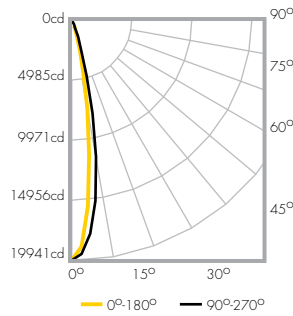
PHOTOMETRICS

Lumenfacade Stand Alone 4' RGB

10° x 10° optic

Lamping	68 W
Lumens	1472
Efficacy	21 lm/W

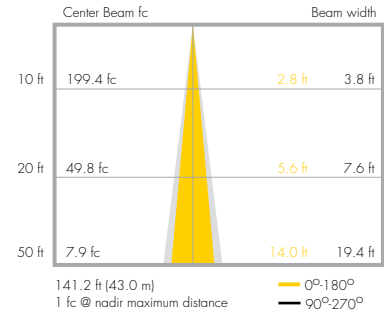
Polar Candela Distribution



Candela Table

	0	22.5	45	67.5	90
0	1994	1994	1994	1994	1994
5	15506	15814	16736	17580	17824
15	2615	2904	3794	4710	4887
25	389	379	381	424	438
35	118	117	94	86	92
45	44	40	37	40	43
55	22	20	18	21	24
65	14	14	13	12	14
75	10	10	10	9	7
85	10	9	9	7	2
90	9	9	9	9	1

Illuminance at Distance

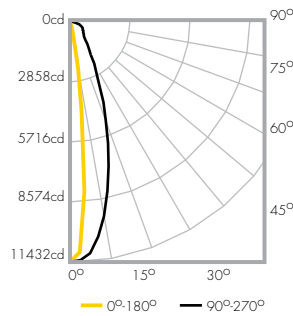


Lumenfacade Stand Alone 4' RGB

10° x 60° optic

Lamping	68.8 W
Lumens	2065
Efficacy	30 lm/W

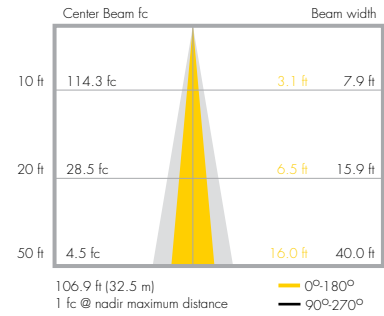
Polar Candela Distribution



Candela Table

	0	22.5	45	67.5	90
0	11432	11432	11432	11432	11432
5	8105	8150	9459	10438	11063
15	546	674	1345	3673	7123
25	89	94	165	746	3342
35	54	58	72	184	1591
45	26	26	35	80	956
55	9	9	9	31	769
65	3	3	3	12	638
75	0	0	0	0	393
85	0	0	0	0	63
90	0	0	0	0	0

Illuminance at Distance

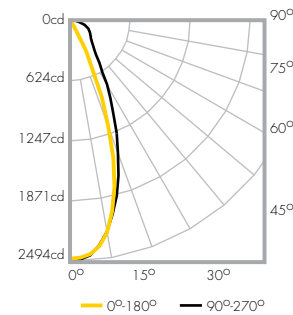


Lumenfacade Stand Alone 4' RGB

30° x 60° optic

Lamping	67.4 W
Lumens	1584
Efficacy	23 lm/W

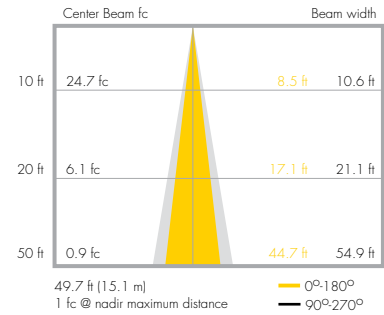
Polar Candela Distribution



Candela Table

	0	22.5	45	67.5	90
0	2473	2473	2473	2473	2473
5	2434	2428	2453	2431	2441
15	1781	1791	1887	1863	1883
25	564	666	892	1050	1070
35	79	106	239	468	538
45	15	18	51	220	323
55	6	8	15	130	260
65	5	4	6	73	213
75	2	2	2	28	132
85	0	0	0	2	22
90	0	0	0	0	0

Illuminance at Distance

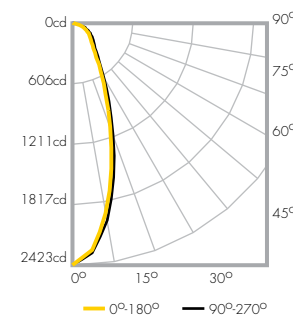


Lumenfacade Stand Alone 4' RGB

60° x 60° optic

Lamping	69 W
Lumens	1965
Efficacy	28 lm/W

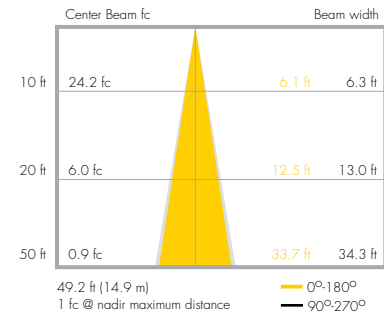
Polar Candela Distribution



Candela Table

	0	22.5	45	67.5	90
0	2423	2423	2423	2423	2423
5	2280	2251	2246	2265	2308
15	1507	1512	1546	1571	1599
25	789	807	829	858	866
35	423	436	450	467	469
45	277	284	296	308	312
55	208	213	226	237	241
65	141	146	159	172	176
75	53	57	69	84	90
85	7	8	8	9	10
90	5	5	5	5	2

Illuminance at Distance



Photometric data based on test results from an independent NIST traceable testing lab. IES data is available at www.lumenpulse.com/en/support. Always refer to our website download section for the latest updates of our IES files.

ACCESSORIES

Order separately

Control Systems:

- LTO** Lumentouch is a wall mount DMX 512 controller keypad
- LCU** Lumencue is a USB / mini SD DMX 512 controller
- LID** LumenID is a serializing and addressing DMX 512 controller.
It must be specified on all DMX applications.
Refer to LID specification sheet for details.

CBOX :

iCBOX-__V-__-__ Interior DMX 512 data box.
Data input and output, M20 provision holes with plugs.
Voltage input and output, M20 provision holes with plugs.
Up to four outputs to fixtures, M20 provision holes with plugs.
Please specify desired input voltage and finish.
Refer to iCBOX specification sheet for details.

CBOX-__V-__-__ DMX 512 data box.
Data input and output, M20 provision holes with plugs.
Voltage input and output, M20 provision holes with plugs.
Up to four outputs to fixtures, M20 provision holes with plugs.
Please specify desired input voltage and finish.
Refer to CBOX specification sheet for details.

Leader Cable RGB :

LOGLCD__ Leader Cable for lumenfacade RGB.
Please add desired cable length : 6, 8 or 10 feet
Sealing endcap is mandatory for any unused connector.
(1) included with every leader cable

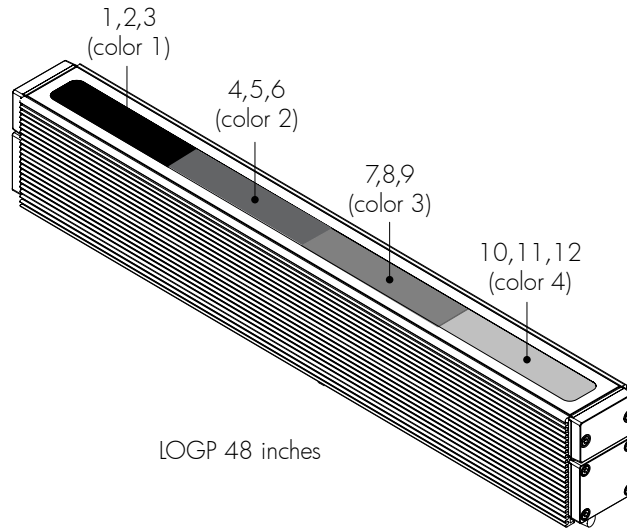
Jumper Cable RGB :

LOGJCD__ Jumper Cable for lumenfacade RGB.
Please add desired cable length : 1, 2, 4 or 8 feet

RESOLUTION DETAILS

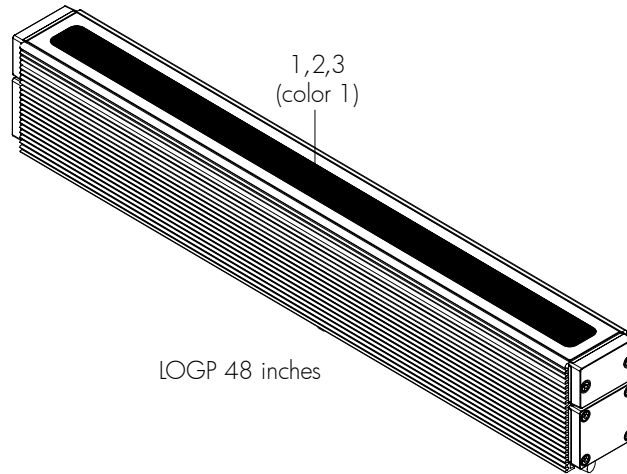
1FT - Resolution per foot: each foot is addressed independently (recommended for most installations).

DMX ADDRESSES:



1FX - Resolution per fixture: each fixture is addressed independently

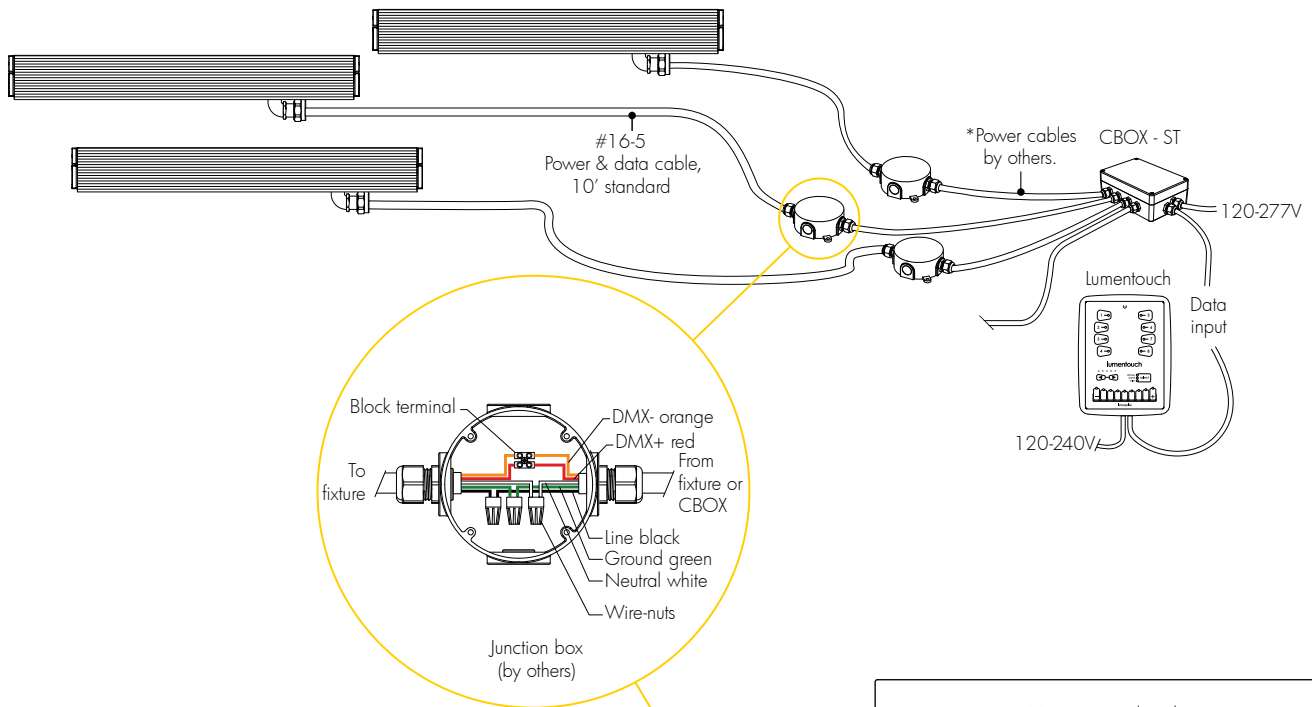
DMX ADDRESSES:



*Warning: resolution is a factory setting and cannot be changed in the field.

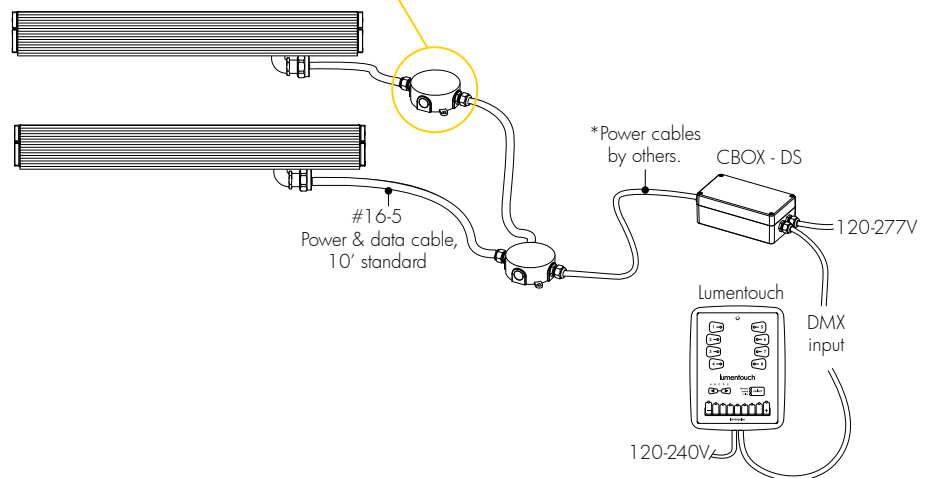
TYPICAL WIRING DIAGRAMS

Star Layout (DMX)




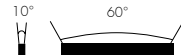
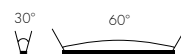
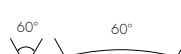


Maximum run length:
48 linear feet of fixture - 400' feet maximum cable length.
(Consult factory for custom applications).

Daisy Chain Layout (DMX)



HOW TO ORDER

LOGP			RGB						
Housing	Voltage	Length	Colors and color temperatures	Resolution	Optic	Mounting	Finish	Option	
1	2	3	4	5	6	7	8	9	
1	<p>Housing:</p> <p>LOGP - lumenfacade™ Stand Alone</p>	<p>Voltage:</p> <p>120 - 120 volts 208 - 208 volts 240 - 240 volts 277 - 277 volts</p>	<p>Length:</p> <p>12 - 13 3/8 inches (340mm) (2 kg/4.50 lbs) 24 - 25 3/8 inches (645mm) (3.17 kg/7 lbs) 36 - 37 3/8 inches (949mm) (4.75 kg/10.50 lbs) 48 - 49 3/8 inches (1254mm) (6.35 kg/14 lbs)</p>	<p>Colors and Color temperatures:</p> <p>RGB - 16.7 million colors, additive RGB</p>	<p>Resolution:</p> <p>1FT - Resolution per foot </p> <p>1FX - Resolution per fixture </p>	<p>Optics:</p> <p>10x10 - 10° x 10° </p> <p>10x60 - 10° x 60° </p> <p>30x60 - 30° x 60° </p> <p>60x60 - 60° x 60° </p>	<p>Mounting:</p> <p>UMP - Fixed Mounting UMAS - Universal Adjustable Mounting WAM2 - Adjustable Wall Mounting 2" WAM6 - Adjustable Extended Arm Mounting 6" WAM12 - Adjustable Extended Arm Mounting 12"</p>	<p>Finish:</p> <p>SI - Silver SandText BK - Black SandText WH - White CC - Custom (please specify RAL color)</p>	<p>Option:</p> <p>A - 90° angle cord output, bottom feed</p>