

Client: \_\_\_\_\_  
 Project name: \_\_\_\_\_  
 Order #: \_\_\_\_\_  
 Type: \_\_\_\_\_ Qty: \_\_\_\_\_

## FEATURES AND BENEFITS

### Physical :

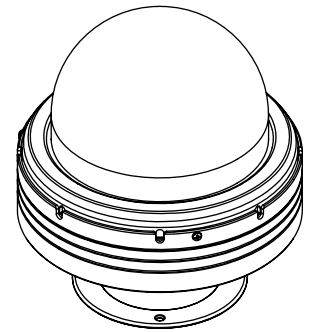
- Low copper content machined aluminum housing
- Electro-statically applied polyester powder coat finish
- White polycarbonate dome lens, UV resistant
- 1,54 kg / 3,41 lbs
- IP66

### Performance :

- 2700K, 3000K, 4000K, Red, Green, Blue static colors available
- Lumen maintenance L70 @ 25°C - 120,000 hrs
- Lumen measurements comply with LM - 79 - 08 standard
- Operating temperatures: -25°C to 50°C

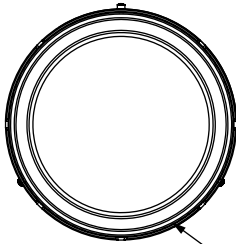
### Electrical :

- 24V DC luminaire, remote driver & data supply available for 120 to 277V (not included)
- 25 watts
- 0-10 volt, DMX or DALI dimming options

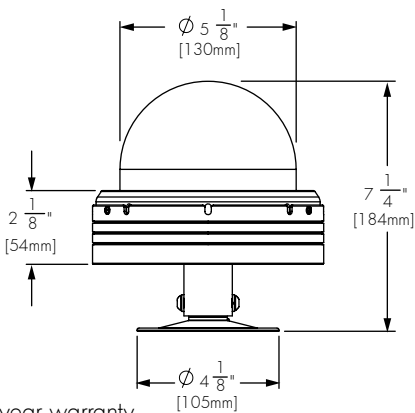


### Wiring detail

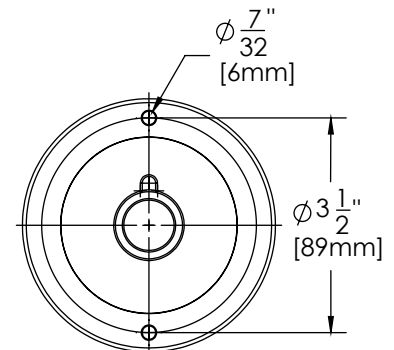
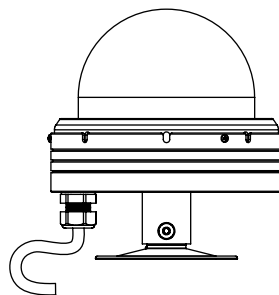
PIN ID	WIRE COLOR	USE
N	WHITE	POWER - 24V
⊥	GREEN	DATA -
1	BLACK	POWER + 24V
2	RED	DATA +



$\phi 6 \frac{3}{4}$ "  
[171mm]



5 year warranty



Mounting base  
screw hole pattern

## ACCESSORIES

Order separately

### Control Systems:

- LTO** Lumentouch is a wall mount DMX 512 controller keypad
- LCU** Lumencue is a USB / mini SD DMX 512 controller
- LID** LumenID is a serializing and addressing DMX 512 controller.  
It must be specified on all white DMX applications.  
Refer to LID specification sheet for details.

### CBOX (DMX Dimming Applications)

- iCBOX60-\_\_\_V-\_\_\_** Interior power & data box, 60W load maximum  
(8X) 1/2" and (8X) 3/4" knockouts total.  
Up to two outputs to fixtures (24V DC & dimming).  
Please specify input voltage and finish.  
Refer to iCBOX60 & iCBOX100 specification sheet for details.
- iCBOX100-\_\_\_V-\_\_\_** Interior power & data box, 100W load maximum  
(8X) 1/2" and (8X) 3/4" knockouts total.  
Up to four outputs to fixtures (24V DC & dimming).  
Please specify input voltage and finish.  
Refer to iCBOX60 & iCBOX100 specification sheet for details.
- CBOX60-\_\_\_V-\_\_\_** Exterior power & data box, 60W load maximum  
Data input and output, M20 provision holes with plugs.  
Voltage input and output, M20 provision holes with plugs.  
Up to two outputs to fixtures (24V DC & dimming), M20 provision holes with plugs.  
Please specify input voltage and finish (SI - silver standard finish).  
Refer to CBOX60 & CBOX100 specification sheet for details.
- CBOX100-\_\_\_V-\_\_\_** Exterior power & data box, 100W load maximum  
Data input and output, M20 provision holes with plugs.  
Voltage input and output, M20 provision holes with plugs.  
Up to four outputs to fixtures (24V DC & dimming), M20 provision holes with plugs.  
Please specify input voltage and finish (SI - silver standard finish).  
Refer to CBOX60 & CBOX100 specification sheet for details.

**ACCESSORIES** - continued from page 2  
Order separately

## Exterior Remote Power Supply Boxes

**PSBOX60-\_\_V-\_\_** Remote class 2 power supply 60W (120-277V to 24V DC) with enclosure for outdoor applications.  
Please specify input voltage and finish.  
Refer to PSBOX60 specification sheet for dimensions.

**PSBOX60-010-\_\_V-\_\_** Remote class 2 power supply 60W (120-277V to 24V DC) and outdoor rated enclosure, 0-10V dimming enabled.  
Please specify input voltage and finish.  
Refer to PSBOX60-010 specification sheet for dimensions.

**PSBOX100-\_\_V-\_\_** Remote class 2 power supply 100W (120-277V to 24V DC) with enclosure for outdoor applications.  
Please specify input voltage and finish.  
Refer to PSBOX100 specification sheet for dimensions.

**PSBOX100-010-\_\_V-\_\_** Remote class 2 power supply 100W (120-277V to 24V DC) and outdoor rated enclosure, 0-10V dimming enabled.  
Please specify input voltage and finish.  
Refer to PSBOX100-010 specification sheet for dimensions.

## Interior Remote Power Supply Boxes

**iPSBOX60-\_\_V-\_\_** Interior remote class 2 power supply 60W (120-277V to 24V DC) and enclosure for indoor applications.  
Please specify input voltage and finish.  
Refer to iPSBOX60 specification sheet for dimensions.

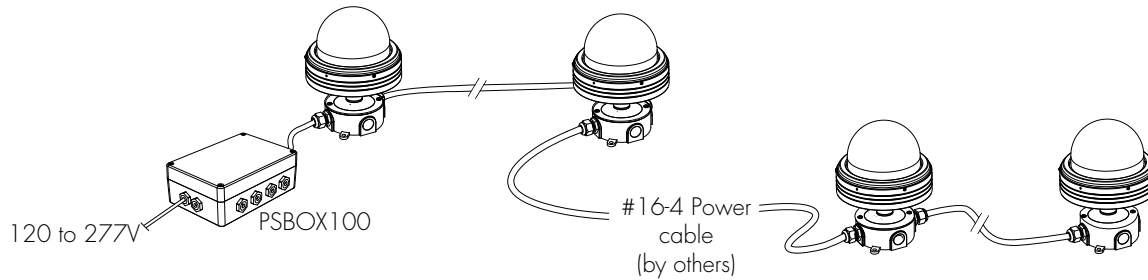
**iPSBOX60-010-\_\_V-\_\_** Remote class 2 power supply 60W (120-277V to 24V DC) and indoor rated enclosure, 0-10V dimming enabled.  
Please specify input voltage and finish.  
Refer to iPSBOX60-010 specification sheet for dimensions.

**iPSBOX100-\_\_V-\_\_** Remote class 2 power supply 100W (120-277V to 24V DC) and enclosure for indoor applications.  
Please specify input voltage and finish.  
Refer to iPSBOX100 specification sheet for dimensions.

**iPSBOX100-010-\_\_V-\_\_** Remote class 2 power supply 100W (120-277V to 24V DC) and indoor rated enclosure, 0-10V dimming enabled.  
Please specify input voltage and finish.  
Refer to iPSBOX100-010 specification sheet for dimensions.

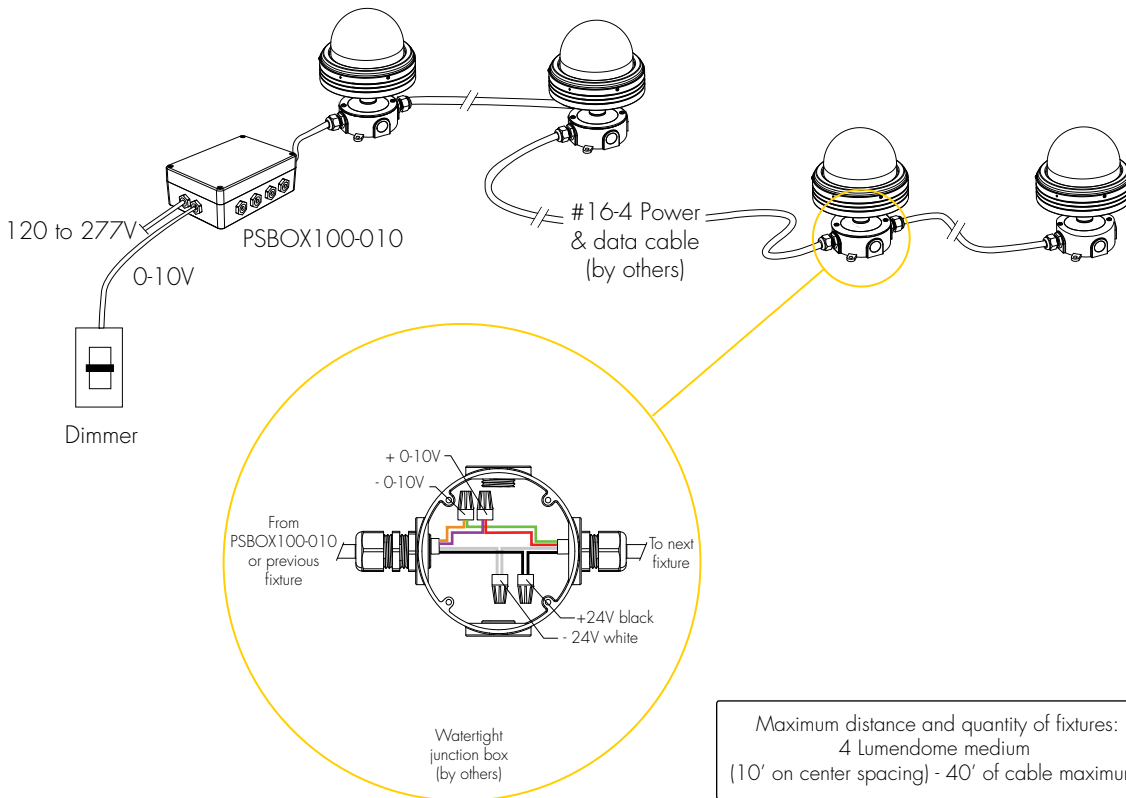
## TYPICAL WIRING DIAGRAMS

### Non-Dimming Version



Maximum distance and quantity of fixtures:  
4 Lumendome medium  
(10' on center spacing) - 40' of cable maximum.

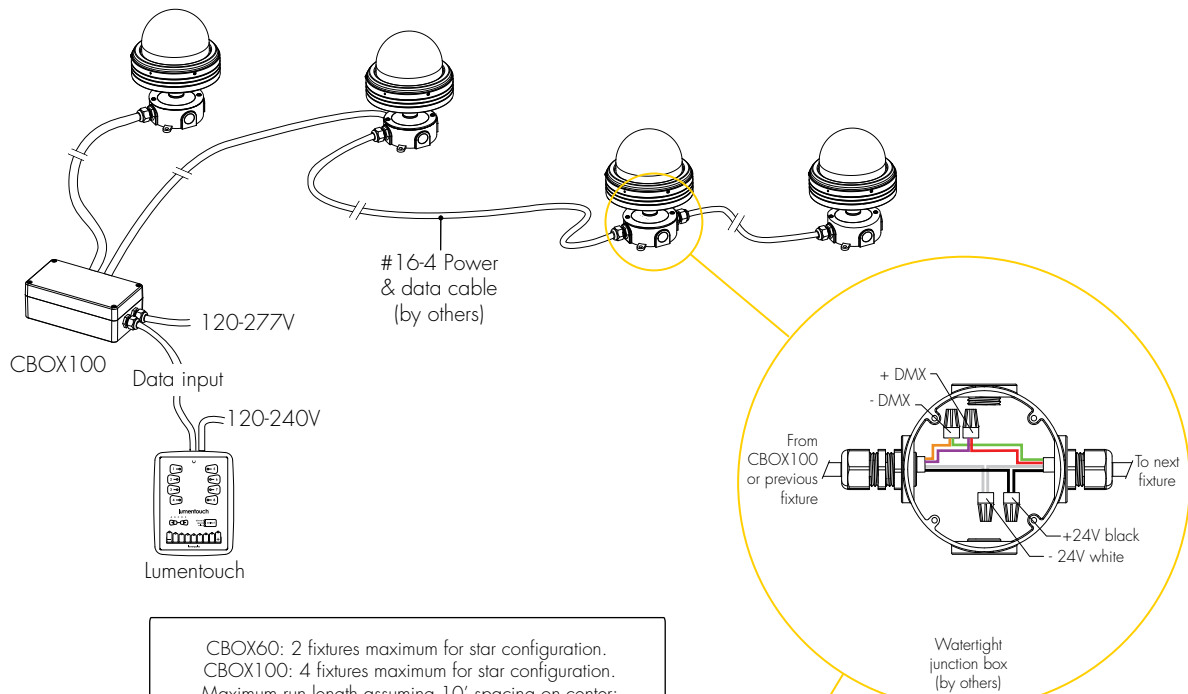
### Dimming Version (0-10V)



Maximum distance and quantity of fixtures:  
4 Lumendome medium  
(10' on center spacing) - 40' of cable maximum.

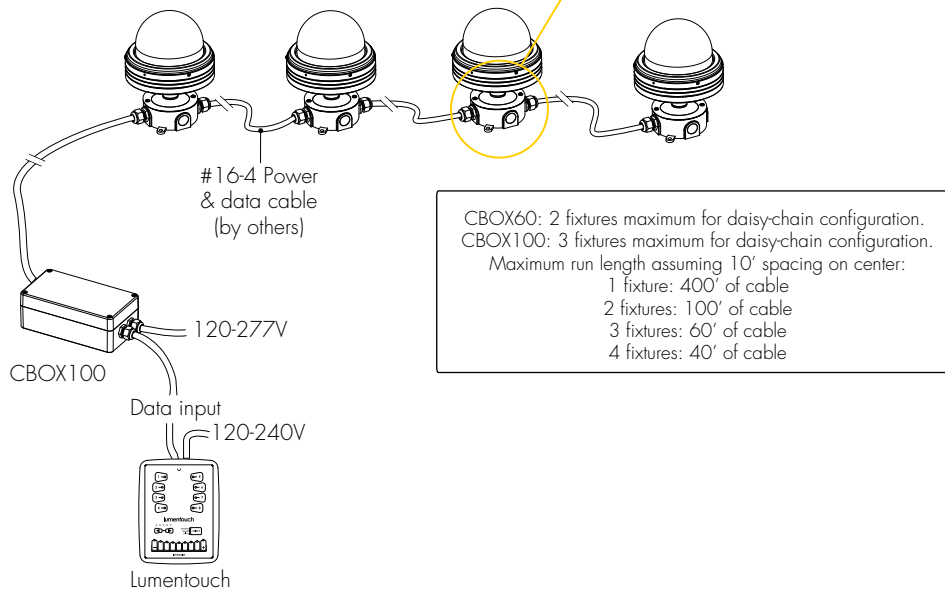
## TYPICAL WIRING DIAGRAMS - continued from page 4

### Star Layout (DMX Dimming)



CBOX60: 2 fixtures maximum for star configuration.  
 CBOX100: 4 fixtures maximum for star configuration.  
 Maximum run length assuming 10' spacing on center:  
 1 fixture: 400' of cable  
 2 fixtures: 100' of cable  
 3 fixtures: 60' of cable  
 4 fixtures: 40' of cable

### Daisy Chain Layout (DMX Dimming)



CBOX60: 2 fixtures maximum for daisy-chain configuration.  
 CBOX100: 3 fixtures maximum for daisy-chain configuration.  
 Maximum run length assuming 10' spacing on center:  
 1 fixture: 400' of cable  
 2 fixtures: 100' of cable  
 3 fixtures: 60' of cable  
 4 fixtures: 40' of cable

## HOW TO ORDER

LMDM	24V			
Housing	Voltage	Colors and color temperatures	Finish	Dimming
1	2	3	4	5

1

### Housing:

**LMDM** - Lumendome™ Medium

2

### Voltage:

\*24V DC fixture. Refer to accessory pages for control & power supply box options.

3

### Colors and Color temperatures:

**27K** - 2700K

**30**- 3000K

**40** - 4000K

**RD** - Red

**GR**- Green

**BL** - Blue

4

### Finish:

**SI** - Silver SandText

**BK**- Black SandText

**WH** - White

**CC** - Custom (please specify RAL color)

5

### Dimming:

**DIM** - 0-10V Dimming option

**DMX** - DMX Dimming option

**DALI** - DALI Dimming option

**NO** - No Dimming