

Client: _____

Project name: _____

Order # _____

Type: _____ Qty: _____

FEATURES AND BENEFITS

Physical :

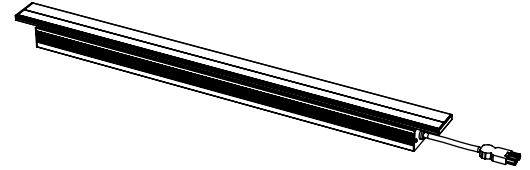
- Low copper content extruded aluminum housing
- Available in 1', 2', 3', 4' or 8' sections
- Electro-statically applied polyester powder coat finish
- Tool-less LED frame adjustable mechanism
- Low profile design
- White standard stock finish
- Indoor applications, dry location only

Performance :

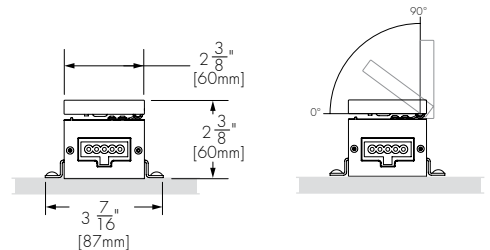
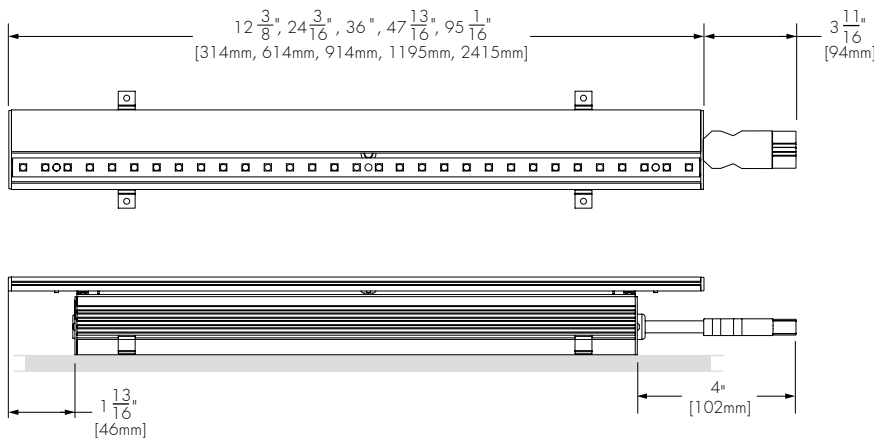
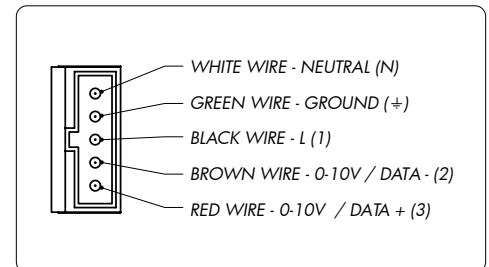
- Video type tri-color leds, 105 lumens/ft
- 1 foot resolution minimum
- Lumen maintenance L70 @ 25°C - 80,000 hrs
- Lumen measurements comply with LM - 79 - 08 standard
- Resolution per foot or per fixture (see page 6)
- Operating temperatures: -25°C to 50°C

Electrical :

- Line voltage luminaire for 120 to 277V
- Power and data in 1 cable (#18-5)
- Up to 196 feet on 1 power/data feed
- Up to 170 individually addressable 1 foot sections per DMX run
- 5W / ft
- DMX 512 ready

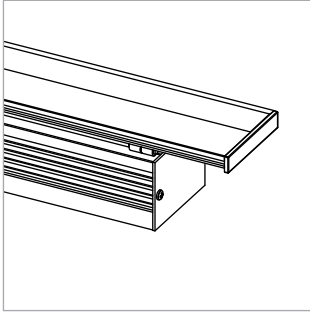


Wiring detail

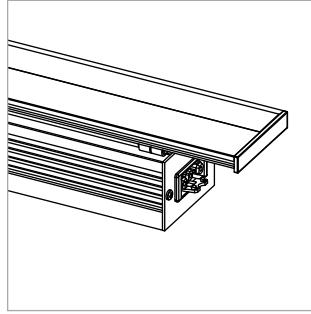


5 year warranty

FEEDING OPTIONS

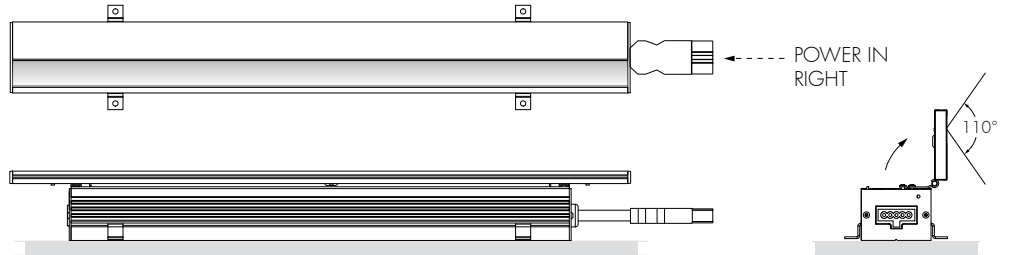


SF
Single Feed



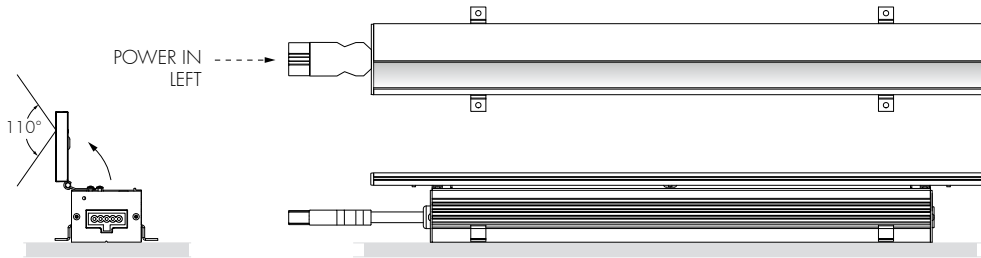
FT
Feed Through

FEEDING SIDE



RF
Right Feeding side
standard clips shown

LED housing rotates
in a clockwise direction

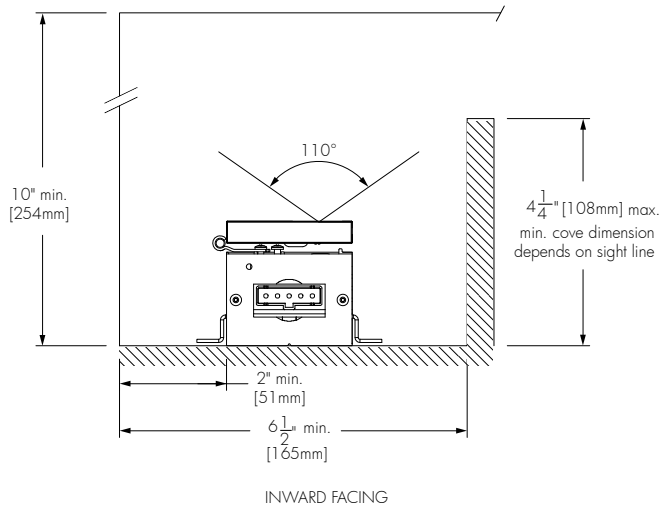
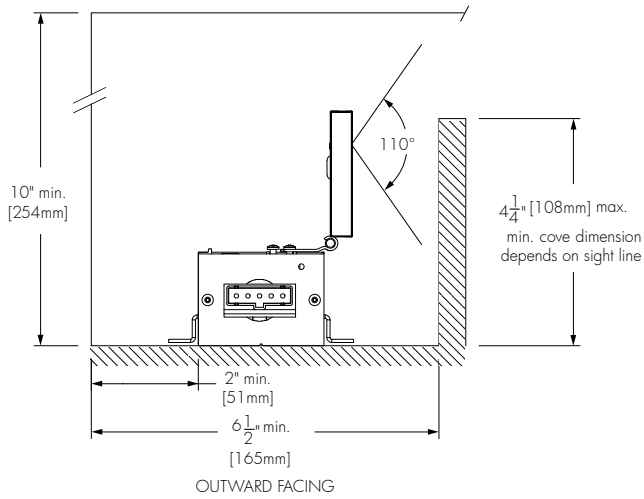
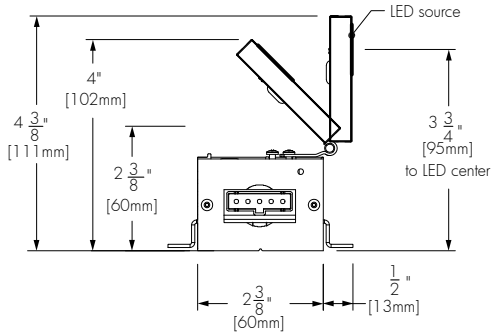


LED housing rotates
in a counter-clockwise direction

LF
Left Feeding side
standard clips shown

MOUNTING DETAILS

MINIMUM COVE DIMENSIONS

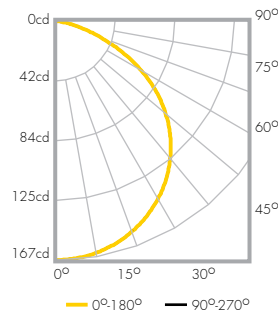


PHOTOMETRICS

Lumencove® 4'
RGB
clear lens

Lamping	24.7 W
Lumens	421
Efficacy	17 lm/W

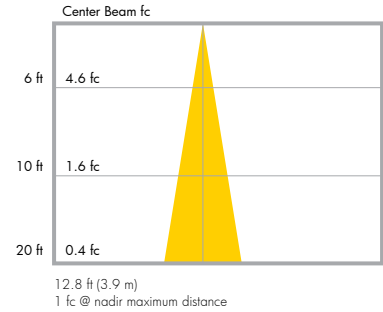
Polar Candela Distribution



Candela Table

	0	22.5	45	67.5	90
0	166	166	166	166	166
5	163	163	163	164	165
15	152	152	154	157	160
25	135	136	139	143	148
35	111	113	118	124	131
45	80	82	89	97	106
55	48	50	57	64	74
65	23	25	29	34	41
75	8	9	10	13	16
85	1	1	2	2	2
90	1	1	1	1	0

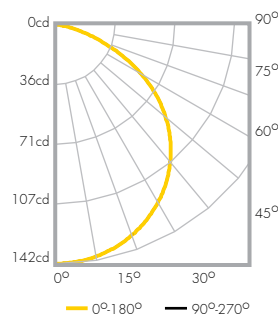
Illuminance at Distance



Lumencove® 4'
RGB
frosted lens

Lamping	24.7 W
Lumens	358
Efficacy	14 lm/W

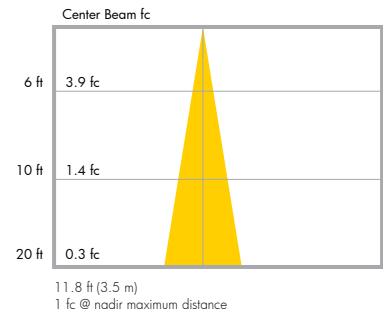
Polar Candela Distribution



Candela Table

	0	22.5	45	67.5	90
0	141	141	141	141	141
5	139	139	139	139	140
15	129	129	131	133	136
25	115	116	118	122	126
35	94	96	100	105	111
45	68	70	76	82	90
55	41	43	48	54	63
65	20	21	25	29	35
75	7	8	9	11	14
85	1	1	2	2	2
90	1	1	1	1	0

Illuminance at Distance



Photometric data based on test results from an independent NIST traceable testing lab. IES data is available at www.lumenpulse.com/en/support. Always refer to our website download section for the latest updates of our IES files.

ACCESSORIES

Order separately

Control Systems:

- LTO** Lumentouch is a wall mount DMX 512 controller keypad
- LCU** Lumencue is a USB / mini SD DMX 512 controller
- LID** LumenID is a serializing and addressing DMX 512 controller. It must be specified on all DMX applications. Refer to LID specification sheet for details.

CBOX :

iCBOX-__V-__-__ Interior DMX 512 data box.
Data input and output, M20 provision holes with plugs.
Voltage input and output, M20 provision holes with plugs.
Up to four outputs to fixtures, M20 provision holes with plugs.
Please specify desired input voltage and finish.
Refer to iCBOX specification sheet for details.

CBOX-__V-__-__ DMX 512 data box.
Data input and output, M20 provision holes with plugs.
Voltage input and output, M20 provision holes with plugs.
Up to four outputs to fixtures, M20 provision holes with plugs.
Please specify desired input voltage and finish.
Refer to CBOX specification sheet for details.

Leader Cable RGB:

LCSLCD__ Leader Cable for Lumencove RGB fixture.
Please add desired cable length : 6, 8 or 10 feet

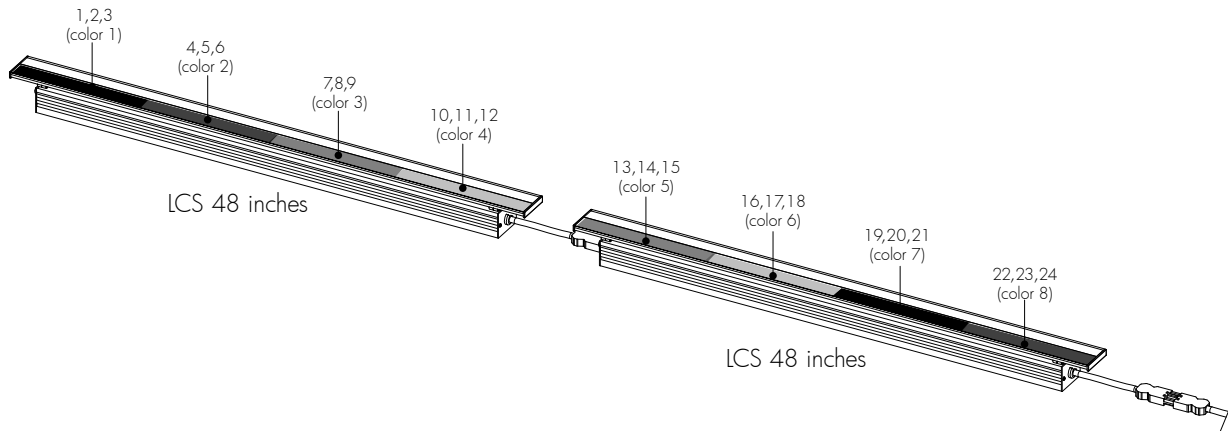
Jumper Cable RGB :

LCSJCD__ Jumper Cable for Lumencove RGB fixture.
Please add desired cable length : 1, 2, 4 or 8 feet

RESOLUTION DETAILS

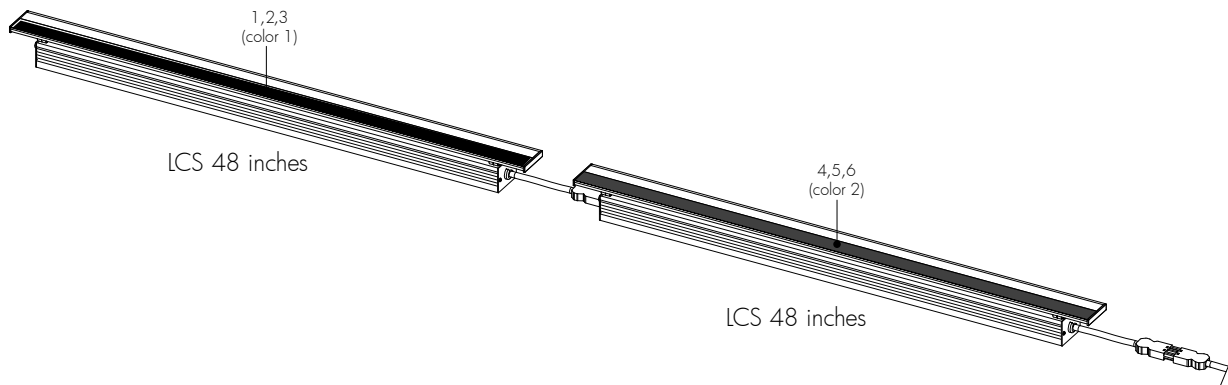
1FT - Resolution per foot: each foot is addressed independently (recommended for most installations).

DMX ADDRESSES:



1FX - Resolution per fixture: each fixture is addressed independently

DMX ADDRESSES:

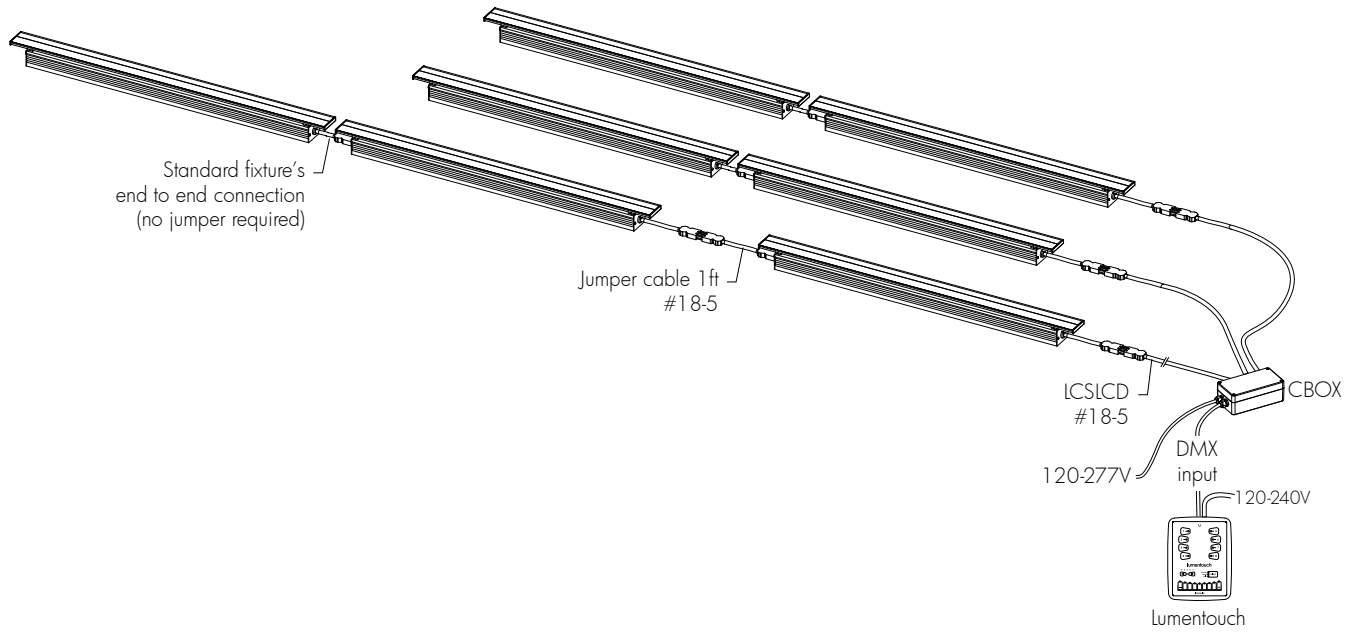


*Warning: resolution is a factory setting and cannot be changed in the field.

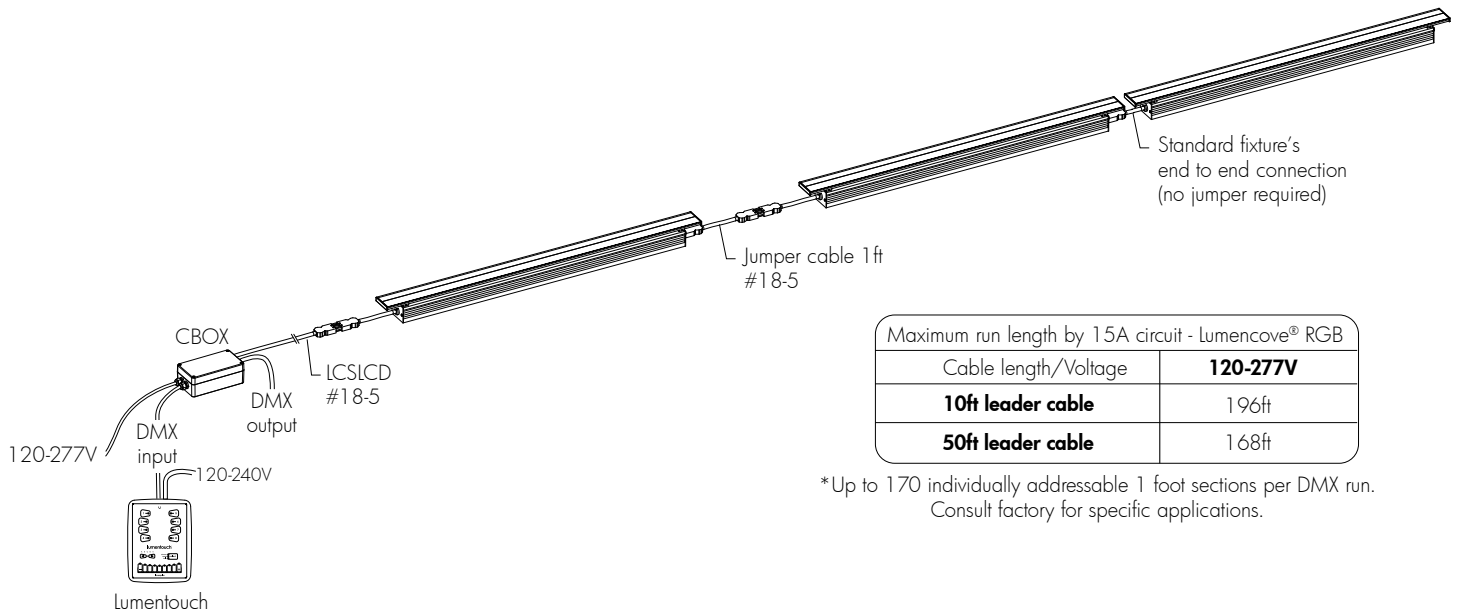
TYPICAL WIRING DIAGRAMS

Star Layout (DMX)

*Make sure that the addition of all cable lengths and fixture lengths for each run do not exceed the recommended limit.




Daisy Chain Layout (DMX)



Maximum run length by 15A circuit - lumencove® RGB	
Cable length/Voltage	120-277V
10ft leader cable	196ft
50ft leader cable	168ft

*Up to 170 individually addressable 1 foot sections per DMX run. Consult factory for specific applications.

HOW TO ORDER

LCS			RGB					
Housing	Voltage	Length	Colors and color temperatures	Resolution	Lens	Feeding	Feeding Side	Finish
1	2	3	4	5	6	7	8	9
1	2	3	4	5	6	7	8	9
Housing: LCS - Lumencove®					Lens: CL - Clear lens FR - Frosted lens			
Voltage: 120 - 120 volts 208 - 208 volts 240 - 240 volts 277 - 277 volts					Feeding: SF - Single Feed FT - Feed Through			
Length: 12 - 12 3/8 inches (314mm) (0.72 kg/1.59 lbs) 24 - 24 3/16 inches (614mm) (1.45 kg/3.19 lbs) 36 - 36 inches (914mm) (2.16 kg/4.77 lbs) 48 - 47 13/16 inches (1214mm) (2.57 kg/5.68 lbs) 96 - 95 1/16 inches (2415mm) (5.76 kg/12.72 lbs)					Feeding Side: Please specify one of the following: (Right Feeding side is standard unless otherwise specified) LF - Left Feeding side RF - Right Feeding side			
Colors and Color temperatures: RGB - 16.7 million colors, additive RGB					Finish: WH - White (standard finish) CC - Custom (please specify RAL color)			
Resolution: 1FT - Resolution per foot  1FX - Resolution per fixture 