

Client: _____
 Project name: _____
 Order #: _____
 Type: _____ Qty: _____

FEATURES AND BENEFITS

Physical :

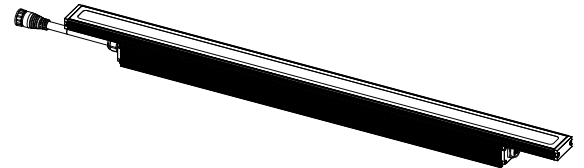
- Low copper content extruded aluminum housing
- Available in 1', 2', 3' or 4' sections
- Electro-statically applied polyester powder coat finish
- Aluminum end caps and silicone gaskets
- Stainless steel hardware
- Tempered glass lens
- IP66

Performance :

- Lumen maintenance L70 @ 25°C - 80,000 hrs
- Resolution per foot or per fixture (see page 4)
- Operating temperatures: -25°C to 50°C

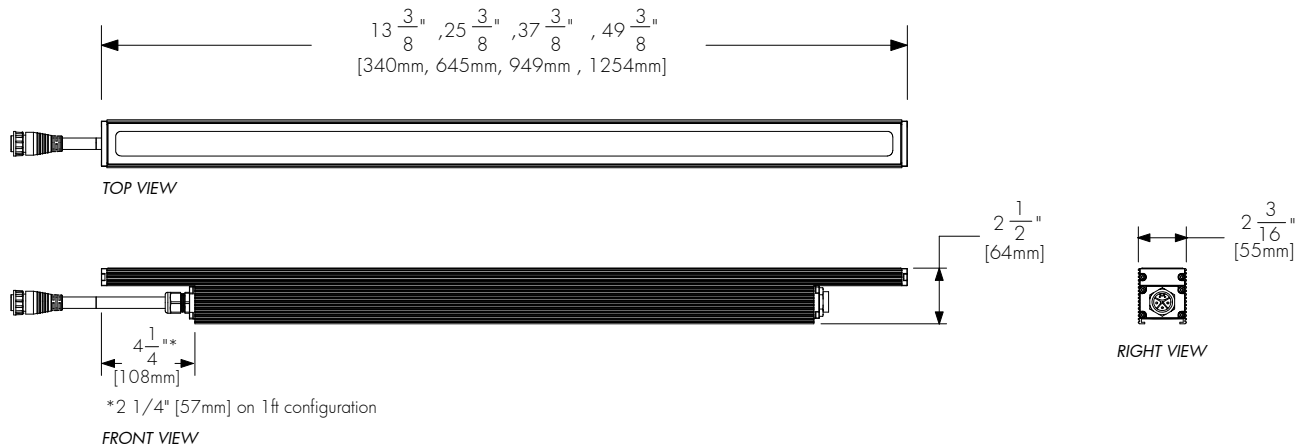
Electrical :

- Line voltage luminaire for 120 to 277V
- Power and data in 1 cable (#18-5)
- 5W/ft version meets ASHRAE standards for linear lighting on building facades
- 6W/ft Regular Output version
- 12W/ft High Output version
- 0-10 volt, DMX or DALI dimming options



Wiring detail - male connector

PIN ID	WIRE COLOR	USE
⊥	GREEN	GROUND
4	WHITE	NEUTRAL
3	BLACK	LIVE 120-277V
2	ORANGE	0-10V / DATA -
1	RED	0-10V / DATA +



5 year warranty

MOUNTING AND ADJUSTABLE PIVOTS



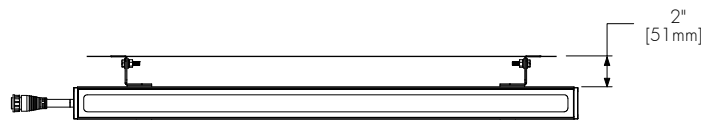
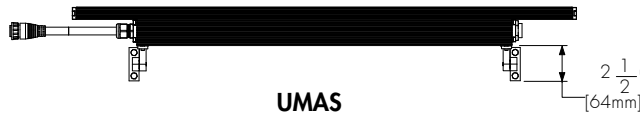
SAM
Slim Adjustable Mounting



UMP
Fixed Mounting



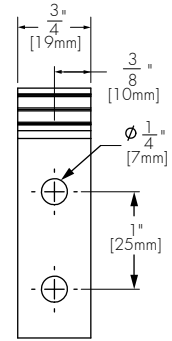
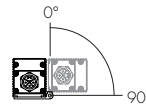
UMAS
Universal Adjustable Mounting



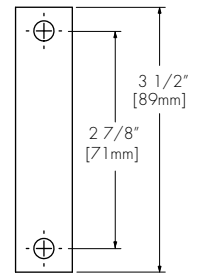
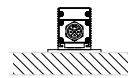
WAM2
Adjustable Wall Mounting



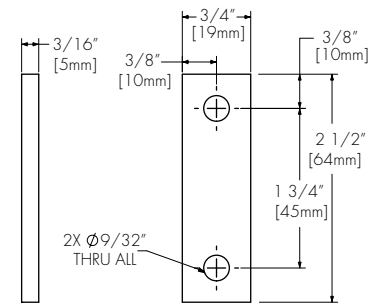
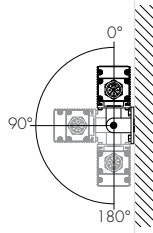
WAM6 & WAM12
Adjustable Extended Arm Mounting



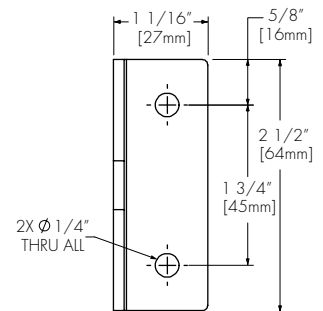
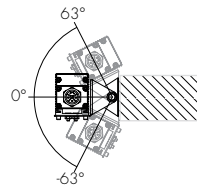
SAM
Mounting Hole Pattern



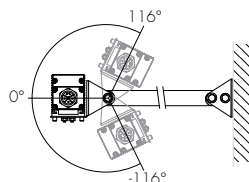
UMP
Mounting Hole Pattern



UMAS
Mounting Hole Pattern



WAM
Mounting Hole Pattern



ACCESSORIES

Order separately

Control Systems:

- LTO** Lumentouch is a wall mount DMX 512 controller keypad
- LCU** Lumencue is a USB / mini SD DMX 512 controller
- LID** LumenID is a serializing and addressing DMX 512 controller.
It must be specified on all white DMX applications.
Refer to LID specification sheet for details.

CBOX :

iCBOX-__V-__-__ Interior DMX 512 dimming data box.
Data input and output, M20 provision holes with plugs.
Voltage input and output, M20 provision holes with plugs.
Up to four outputs to fixtures, M20 provision holes with plugs.
Please specify desired input voltage and finish.
Refer to iCBOX specification sheet for details.

CBOX-__V-__-__ DMX 512 dimming data box.
Data input and output, M20 provision holes with plugs.
Voltage input and output, M20 provision holes with plugs.
Up to four outputs to fixtures, M20 provision holes with plugs.
Please specify desired input voltage and finish.
Refer to CBOX specification sheet for details.

Leader Cable :

LXTLC__ Leader Cable for lumencove®XT (3 conductor cable).
Please add desired cable length : 6, 8 or 10 feet
Sealing endcap is mandatory for any unused connector.
(1) included with every leader cable

LXTLCD__ Leader Cable for dimming lumencove® XT (5 conductor cable).
Please add desired cable length : 6, 8 or 10 feet
Sealing endcap is mandatory for any unused connector.
(1) included with every leader cable

Jumper Cable :

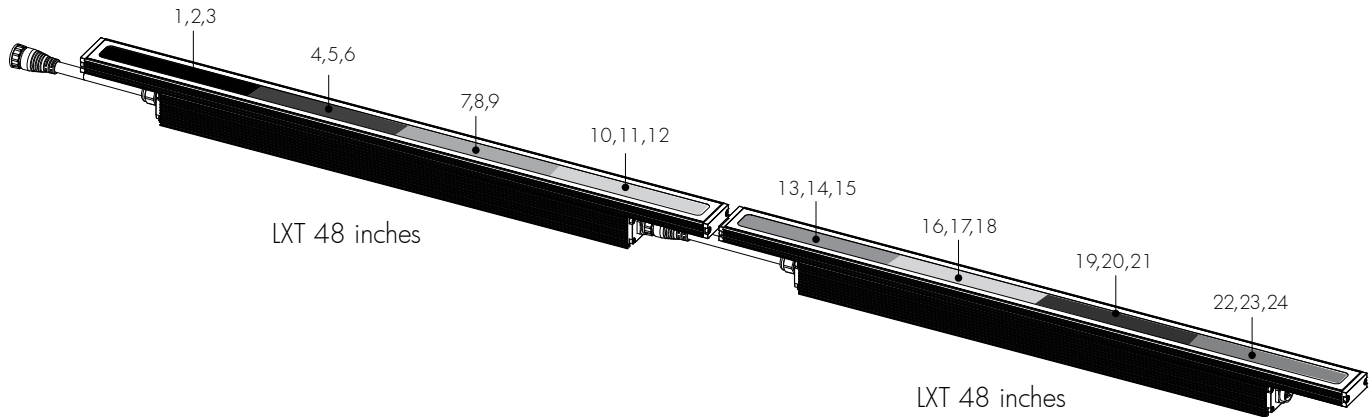
LXTJC__ Jumper Cable for lumencove® XT (3 conductor cable).
Please add desired cable length : 1, 2, 4 or 8 feet

LXTJCD__ Jumper Cable for dimming lumencove® XT (5 conductor cable).
Please add desired cable length : 1, 2, 4 or 8 feet

RESOLUTION DETAILS APPLICABLE FOR DMX DIMMING OPTION ONLY

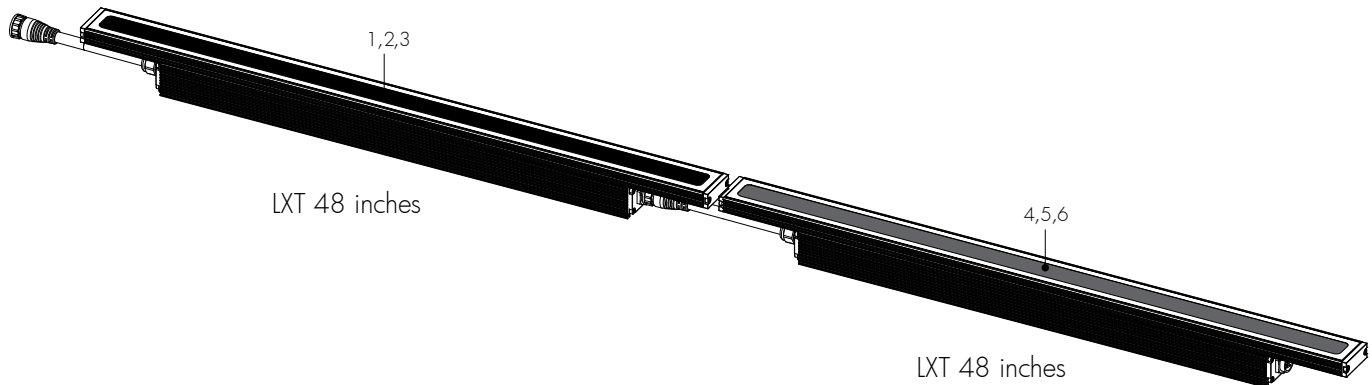
DMX 1FT - Resolution per foot: each foot is addressed independently (recommended for most installations).

DMX ADDRESSES:





DMX 1FX - Resolution per fixture: each fixture is addressed independently

DMX ADDRESSES:



*Warning: resolution is a factory setting and cannot be changed in the field.

HOW TO ORDER

LXT							
Housing	Voltage	Length	Colors and color temperatures	Mounting	Finish	Dimming	Option
1	2	3	4	5	6	7	8
1					5		
Housing: LXT ASHRAE - Lumencove®, 5W/ft ASHRAE compliant LXT RO - Lumencove® XT Regular Output, 6W/ft LXT HO - Lumencove® XT High Output, 12W/ft					Mounting: SAM - Slim Adjustable Mounting UMP - Fixed Mounting UMAS - Universal Adjustable Mounting WAM2 - Adjustable Wall Mounting 2" WAM6 - Adjustable Extended Arm Mounting 6" WAM12 - Adjustable Extended Arm Mounting 12"		
2					6		
Voltage: 120 - 120 volts 208 - 208 volts 240 - 240 volts 277 - 277 volts					Finish: SI - Silver SandText BK - Black SandText WH - White CC - Custom (please specify RAL color)		
3					7		
Length (nominal): 12 - 12 inches (305mm) 24 - 24 inches (610mm) 36 - 36 inches (914mm) 48 - 48 inches (1219mm)					Dimming: DIM - 0-10V Dimming option DMX 1FT - DMX Dimming option, resolution per foot  DMX 1FX - DMX Dimming option, resolution per fixture  DALI - DALI Dimming option NO - No Dimming		
4					8		
Colors and Color temperatures: 27K - 2700K 30K - 3000K 40K - 4000K RD - Red GR - Green BL - Blue					Option: CRF - Corrosion resistant finish		