

Client: \_\_\_\_\_  
 Project name: \_\_\_\_\_  
 Order #: \_\_\_\_\_  
 Type: \_\_\_\_\_ Qty: \_\_\_\_\_

## FEATURES AND BENEFITS

### Physical :

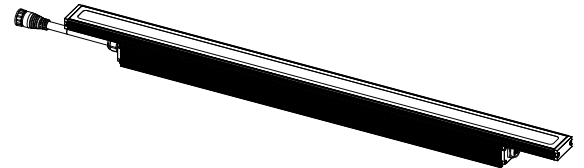
- Low copper content extruded aluminum housing
- Available in 1', 2', 3' or 4' sections
- Electro-statically applied polyester powder coat finish
- Aluminum end caps and silicone gaskets
- Stainless steel hardware
- Tempered glass lens
- IP66

### Performance :

- Lumen maintenance L70 @ 25°C - 80,000 hrs
- Resolution per foot or per fixture (see page 4)
- Operating temperatures: -25°C to 50°C

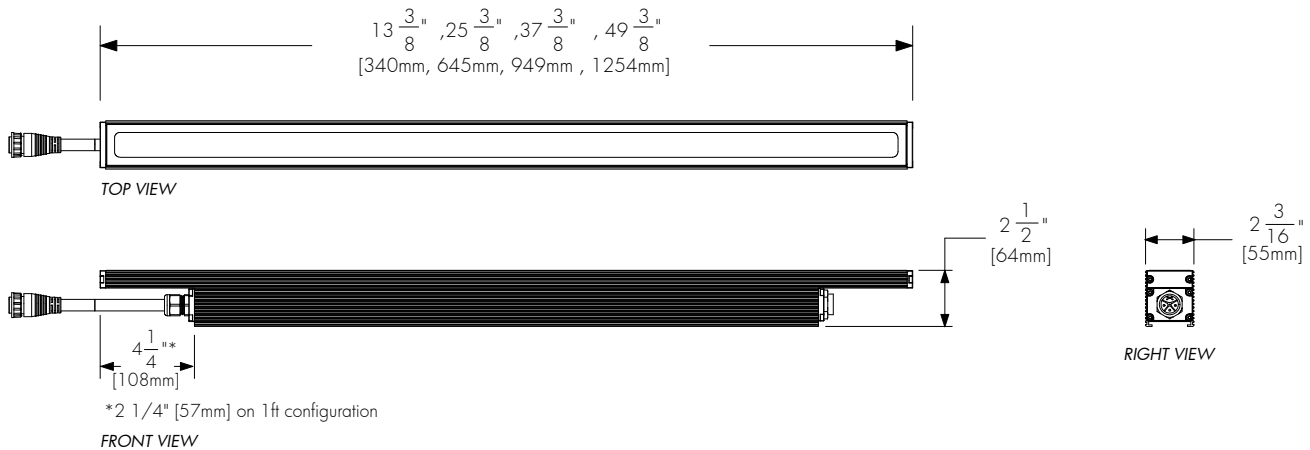
### Electrical :

- Line voltage luminaire for 120 to 277V
- Power and data in 1 cable (#18-5)
- 5W/ft
- DMX 512 ready



### Wiring detail - male connector

| PIN ID | WIRE COLOR | USE            |
|--------|------------|----------------|
| ⊕      | GREEN      | GROUND         |
| 4      | WHITE      | NEUTRAL        |
| 3      | BLACK      | LIVE 120-277V  |
| 2      | ORANGE     | 0-10V / DATA - |
| 1      | RED        | 0-10V / DATA + |



5 year warranty

## MOUNTING AND ADJUSTABLE PIVOTS



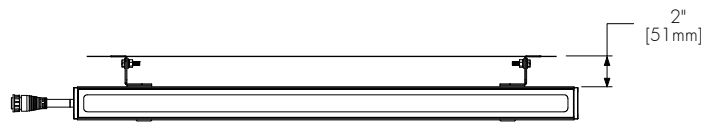
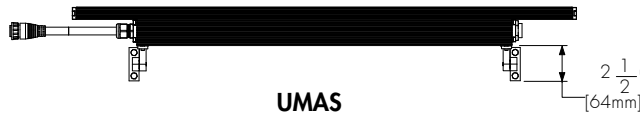
**SAM**  
Slim Adjustable Mounting



**UMP**  
Fixed Mounting



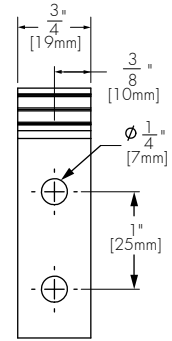
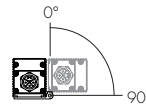
**UMAS**  
Universal Adjustable Mounting



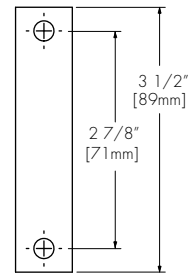
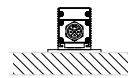
**WAM2**  
Adjustable Wall Mounting



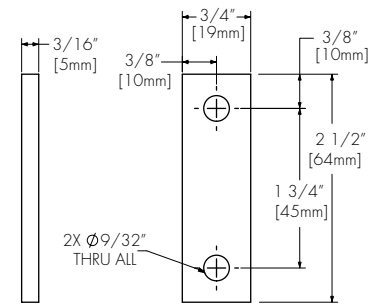
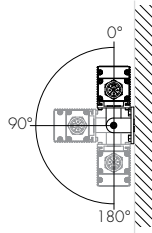
**WAM6 & WAM12**  
Adjustable Extended Arm Mounting



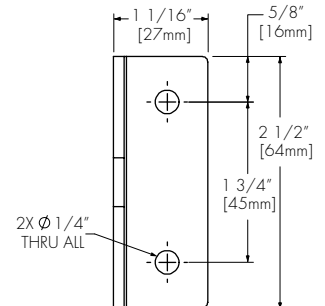
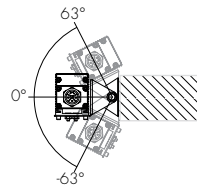
**SAM**  
Mounting Hole Pattern



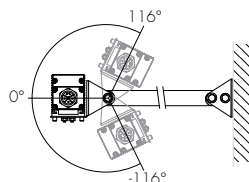
**UMP**  
Mounting Hole Pattern



**UMAS**  
Mounting Hole Pattern



**WAM**  
Mounting Hole Pattern



## ACCESSORIES

Order separately

### Control Systems:

- LTO** Lumentouch is a wall mount DMX 512 controller keypad
- LCU** Lumencue is a USB / mini SD DMX 512 controller
- LID** LumenID is a serializing and addressing DMX 512 controller.  
It must be specified on all DMX applications.  
Refer to LID specification sheet for details.

### CBOX :

**iCBOX-\_\_\_V-\_\_\_-\_\_\_** Interior DMX 512 data box.  
Data input and output, M20 provision holes with plugs.  
Voltage input and output, M20 provision holes with plugs.  
Up to four outputs to fixtures, M20 provision holes with plugs.  
Please specify desired input voltage and finish.  
Refer to iCBOX specification sheet for details.

**CBOX-\_\_\_V-\_\_\_-\_\_\_** DMX 512 data box.  
Data input and output, M20 provision holes with plugs.  
Voltage input and output, M20 provision holes with plugs.  
Up to four outputs to fixtures, M20 provision holes with plugs.  
Please specify desired input voltage and finish.  
Refer to CBOX specification sheet for details.

### Leader Cable RGB :

**LXTLCD\_\_\_** Leader Cable for Lumencove® XT RGB.  
Please add desired cable length : 6, 8 or 10 feet  
Sealing endcap is mandatory for any unused connector.  
(1) included with every leader cable

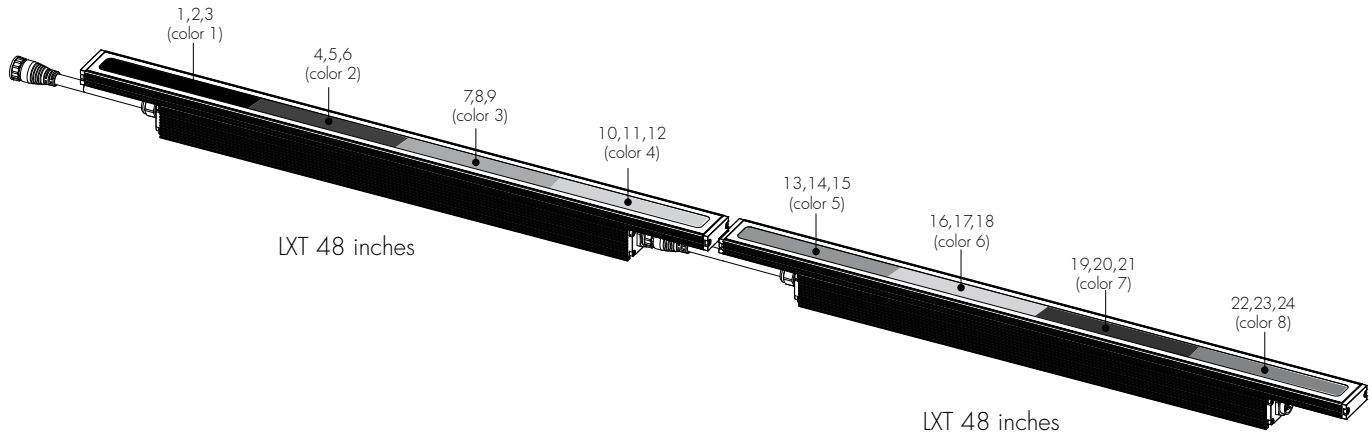
### Jumper Cable RGB :

**LXTJCD\_\_\_** Jumper Cable for Lumencove® XT RGB.  
Please add desired cable length : 1, 2, 4 or 8 feet

## RESOLUTION DETAILS

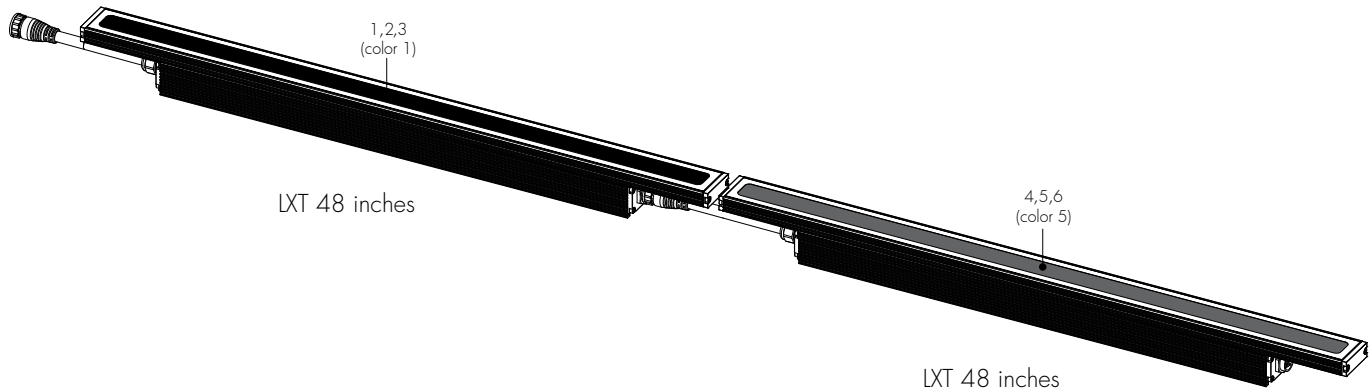
**1FT** - Resolution per foot: each foot is addressed independently (recommended for most installations).

DMX ADDRESSES:



**1FX** - Resolution per fixture: each fixture is addressed independently

DMX ADDRESSES:



\*Warning: resolution is a factory setting and cannot be changed in the field.

