

Client: _____
 Project name: _____
 Order #: _____
 Type: _____ Qty: _____

FEATURES AND BENEFITS

Physical :

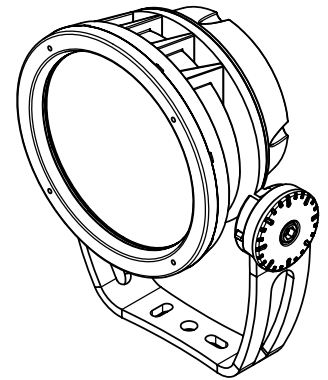
- Low copper content high pressure die-cast aluminum housing
- Heavy aluminum formed yoke (standard yoke included)
- Stainless steel hardware
- Silicone sealing devices
- Clear tempered glass
- Dual chamber design for heat management and ease of maintenance
- Electro-statically applied polyester powder coat finish
- 3.05 kg / 6.7 lbs
- IP66
- EPA: Front = 0.46 sq. ft. Side = 0.37 sq. ft.

Performance :

- Minimum 1fc (10.7 lux) @ 179 feet (54.6m) distance (6° optic)
- 878 delivered lumens and 31,880 candelas at nadir (6° optic)
- 6°, 10°, 20° or 40°, Elliptical distribution on 10° and 40° optics
- Lumen maintenance L70 @ 25°C - 120,000 hrs
- Lumen measurements comply with LM - 79 - 08 standard
- Operating temperatures : -25°C to 50°C

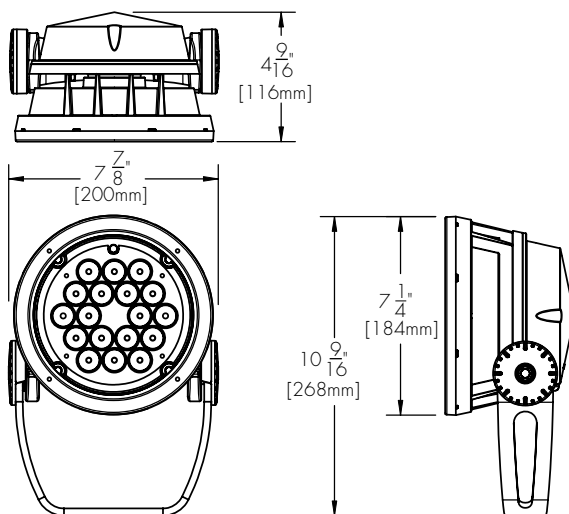
Electrical :

- Line voltage luminaire for 120 to 277V
- Power and data in 1 cable, 3ft cord (#16-5)
- 28 watts
- DMX 512 ready

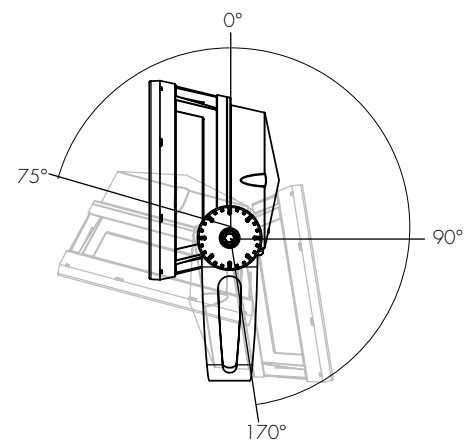


Wiring detail

WIRE COLOR / USE	
GREEN	GROUND
WHITE	NEUTRAL
BLACK	LIVE 120-277V
RED	DATA +
ORANGE	DATA -



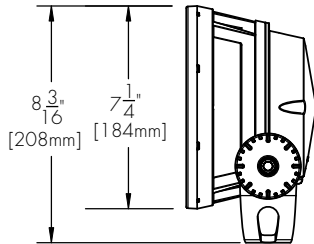
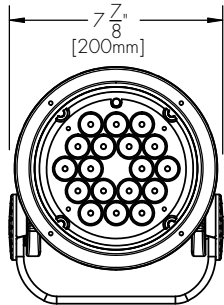
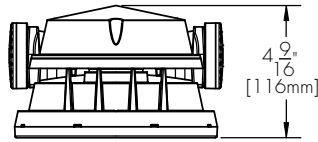
Standard Yoke (as shown, included)



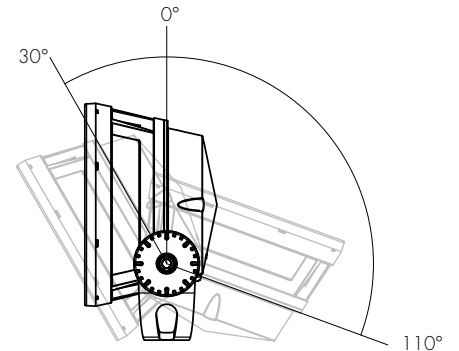
Standard Yoke Mounting
Adjustable pivot limits

5 year warranty

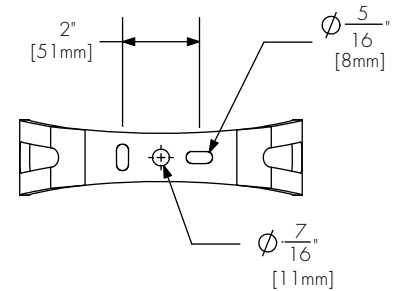
MOUNTING OPTIONS



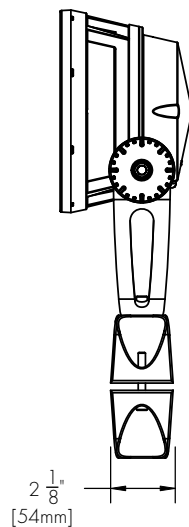
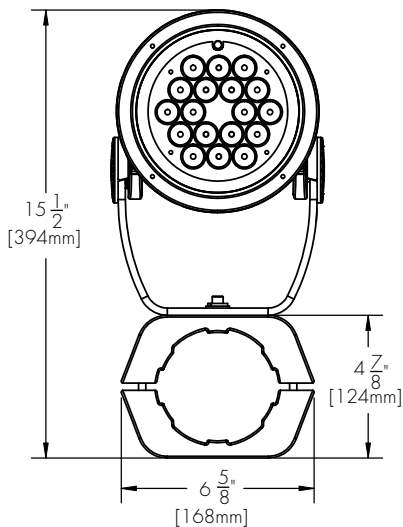
SY
Short Yoke Mounting



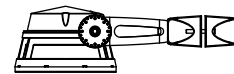
Short Yoke mounting
adjustable pivot limits



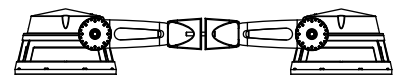
Standard and Short Yoke mounting
holes pattern



PM
Round Pole Mounting Accessory
*Consult factory for square pole section



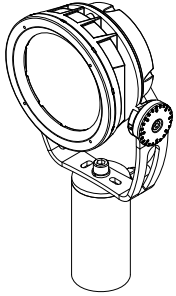
PM4-1, PM4.5-1, PM5-1
Round Pole Mounting accessory
single fixture



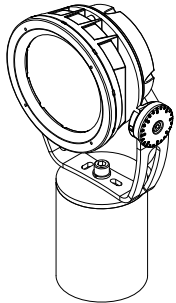
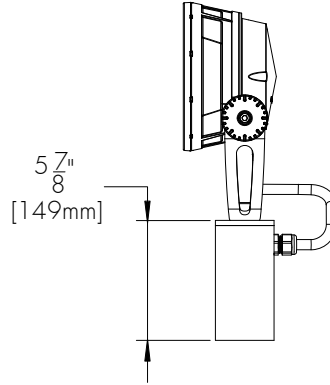
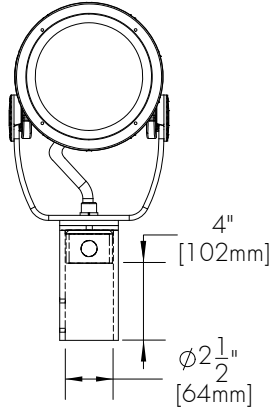
PM4-2, PM4.5-2, PM5-2
Round Pole Mounting accessory
twin fixtures

When **PM4-2, PM4.5-2 or PM5-2** are specified, one bracket assembly is supplied per 2 fixtures unless otherwise specified.

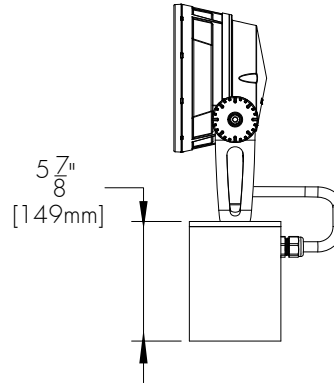
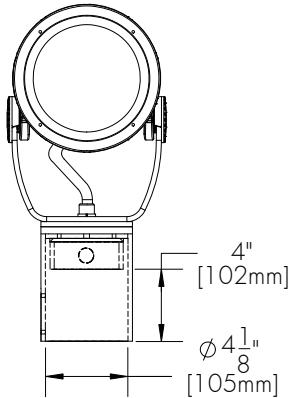
MOUNTING OPTIONS - continued from page 2



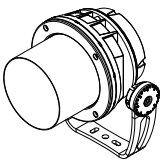
TN2
Tenon adapter
to fit on 2 3/8" O.D. tenon



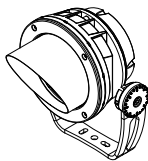
TN4
Tenon adapter
to fit on 4" O.D. tenon



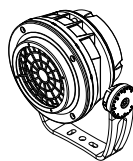
ACCESSORIES



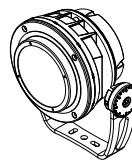
SN
Snoot
(interior surface painted black)



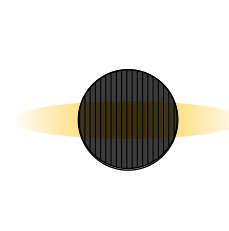
VS
Visor
(interior surface painted black)



WG
Wire Guard



LSLA
Linear Spread
Lens Adjustable



LSLH
Linear Spread lens
Horizontal distribution
(factory installed)



LSLV
Linear Spread lens
Vertical distribution
(factory installed)

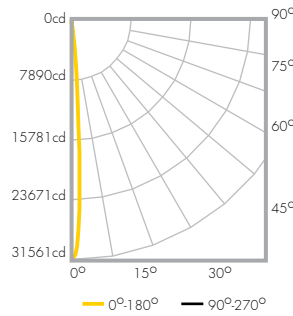
*The snoot, visor, wire guard and adjustable linear spread lens accessories cannot be combined on the same fixture.

PHOTOMETRICS

Lumenbeam Medium
RGB
6° optic

Lamping	31.6 W
Lumens	878
Efficacy	27 lm/W

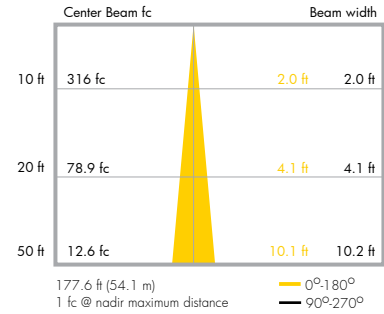
Polar Candela Distribution



Candela Table

	0	22.5	45	67.5	90
0	31561	31561	31561	31561	31561
5	10295	10295	10295	10295	10295
15	167	167	167	167	167
25	38	38	38	38	38
35	13	13	13	13	13
45	9	9	9	9	9
55	7	7	7	7	7
65	3	3	3	3	3
75	0	0	0	0	0
85	0	0	0	0	0
90	0	0	0	0	0

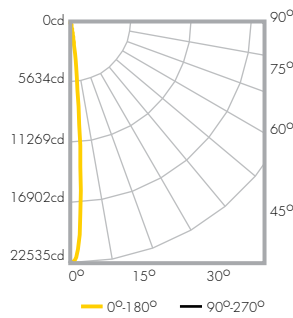
Illuminance at Distance



Lumenbeam Medium
RGB
10° optic

Lamping	28.7 W
Lumens	811
Efficacy	28 lm/W

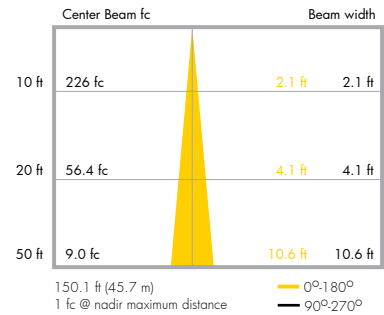
Polar Candela Distribution



Candela Table

	0	22.5	45	67.5	90
0	22535	22535	22535	22535	22535
5	9959	9959	9959	9959	9959
15	341	341	341	341	341
25	21	21	21	21	21
35	8	8	8	8	8
45	4	4	4	4	4
55	2	2	2	2	2
65	0	0	0	0	0
75	0	0	0	0	0
85	0	0	0	0	0
90	0	0	0	0	0

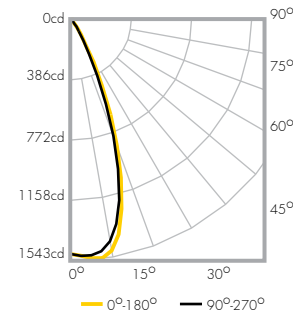
Illuminance at Distance



Lumenbeam Medium
RGB
40° optic

Lamping	29.8 W
Lumens	766
Efficacy	25 lm/W

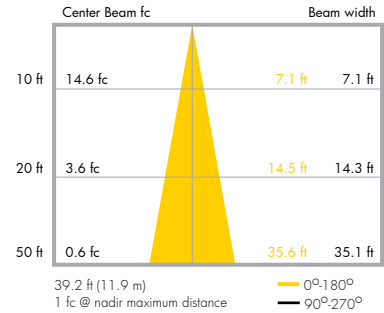
Polar Candela Distribution



Candela Table

	0	22.5	45	67.5	90
0	1456	1456	1456	1456	1456
5	1515	1513	1506	1501	1502
15	1277	1263	1259	1259	1267
25	462	416	437	433	452
35	72	59	68	66	69
45	14	13	14	16	14
55	5	5	6	7	6
65	2	3	3	3	3
75	0	1	0	0	1
85	0	0	0	0	0
90	0	0	0	0	0

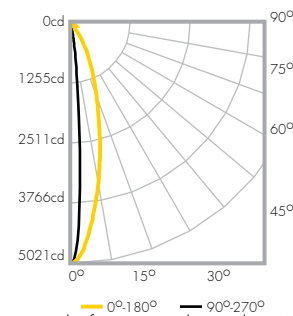
Illuminance at Distance



Lumenbeam Medium
RGB
10° + LSL optic

Lamping	29.4 W
Lumens	646
Efficacy	21 lm/W

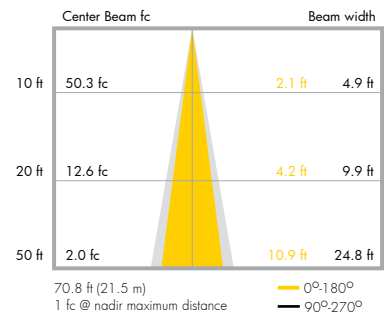
Polar Candela Distribution



Candela Table

	0	22.5	45	67.5	90
0	5020	5020	5020	5020	5020
5	2310	2538	3221	4097	4443
15	136	171	325	981	2393
25	24	25	38	185	1072
35	13	14	16	44	423
45	6	7	8	13	126
55	3	3	4	7	113
65	2	2	2	4	97
75	0	0	1	2	41
85	0	0	0	0	0
90	0	0	0	0	0

Illuminance at Distance



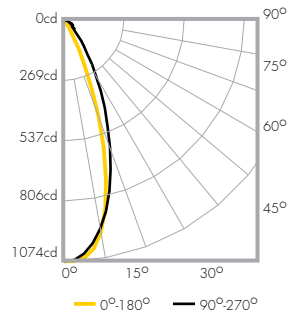
Photometric data based on test results from an independent NIST traceable testing lab. IES data is available at www.lumenpulse.com/en/support. Always refer to our website download section for the latest updates of our IES files.

PHOTOMETRICS

Lumenbeam Medium
RGB
40° + LSL optic

Lamping	31.7 W
Lumens	608
Efficacy	19 lm/W

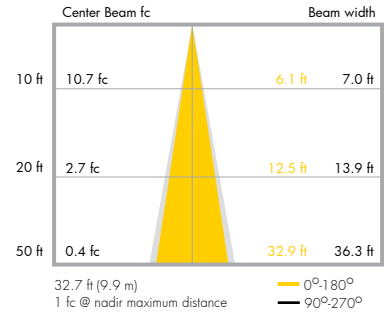
Polar Candela Distribution



Candela Table

	0	22.5	45	67.5	90
0	1070	1070	1070	1070	1070
5	1070	1066	1056	1045	1038
15	743	762	803	804	776
25	229	256	350	436	425
35	44	51	97	176	183
45	13	15	26	62	73
55	7	7	8	30	50
65	3	3	3	16	39
75	1	1	1	5	12
85	0	0	0	0	0
90	0	0	0	0	0

Illuminance at Distance



Photometric data based on test results from an independent NIST traceable testing lab. IES data is available at www.lumenpulse.com/en/support. Always refer to our website download section for the latest updates of our IES files.

ACCESSORIES

Order separately

Control Systems:

- LTO** Lumentouch is a wall mount DMX 512 controller keypad
- LCU** Lumencue is a USB / mini SD DMX 512 controller
- LID** LumenID is a serializing and addressing DMX 512 controller.
It must be specified on all DMX applications.
Refer to LID specification sheet for details.

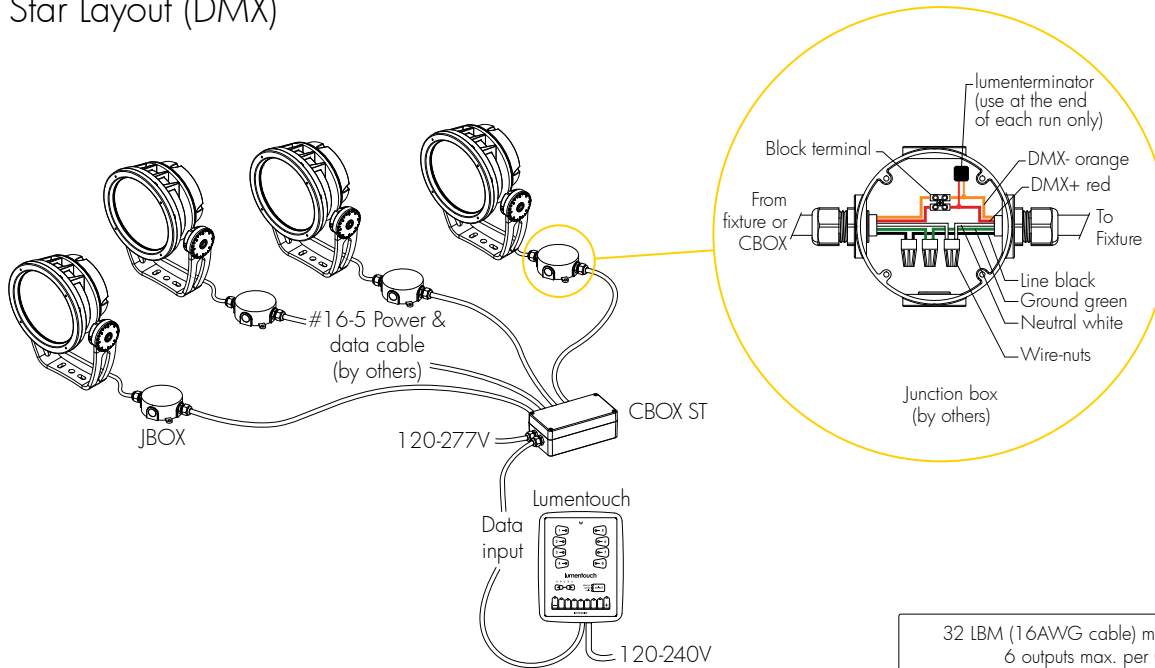
CBOX :

iCBOX-___V-___-___ Interior DMX 512 data box.
Data input and output, M20 provision holes with plugs.
Voltage input and output, M20 provision holes with plugs.
Up to four outputs to fixtures, M20 provision holes with plugs.
Please specify desired input voltage and finish.
Refer to iCBOX specification sheet for details.

CBOX-___V-___-___ DMX 512 data box.
Data input and output, M20 provision holes with plugs.
Voltage input and output, M20 provision holes with plugs.
Up to four outputs to fixtures, M20 provision holes with plugs.
Please specify desired input voltage and finish.
Refer to CBOX specification sheet for details.

TYPICAL WIRING DIAGRAMS

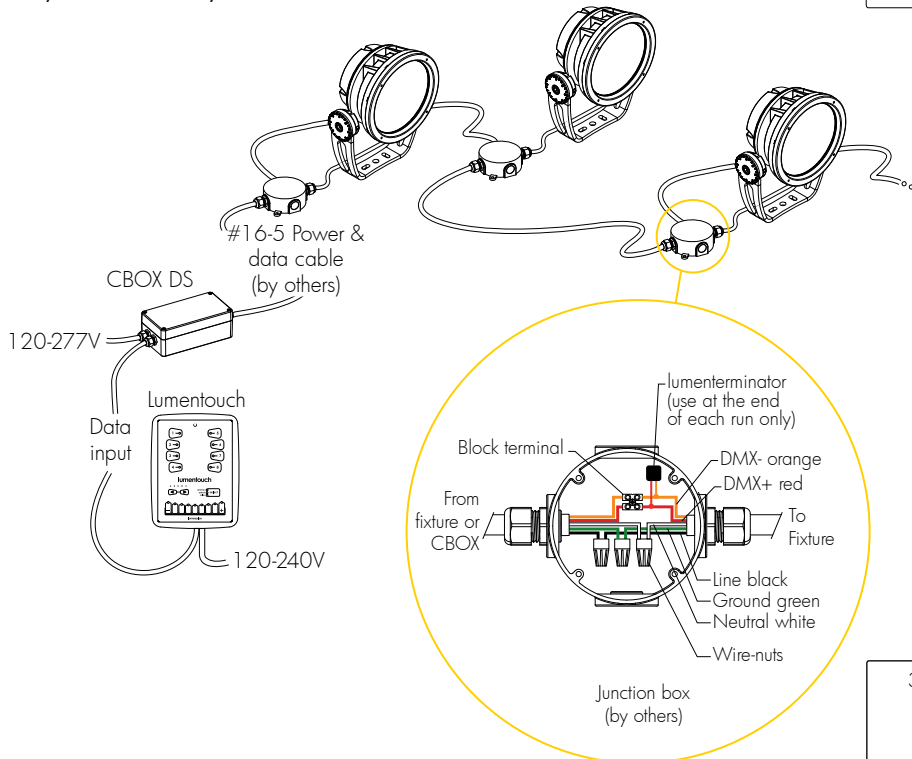
Star Layout (DMX)



32 LBM (16AWG cable) max. per CBOX ST.
6 outputs max. per CBOX ST.
325' max. total cable length per CBOX ST
(based on a 15A circuit @ 120V)




DMX terminator is required at the end of each run to maintain data integrity.
(2x) DMX lumenterminator included per CBOX DS
(6x) DMX lumenterminator included per CBOX ST
See installation instructions for details.

Daisy Chain Layout (DMX)



32 LBM (16AWG cable) max. per CBOX DS,
10' on center spacing.
2 outputs max. per CBOX DS.
325' max. total cable length per CBOX DS.
(based on a 15A circuit @ 120V)

HOW TO ORDER

LBM		RGB				
Housing	Voltage	Colors and color temperatures	Optic	Accessories	Finish	Option
1	2	3	4	5	6	7
1	2	3	4	5	6	7
Housing: LBM - Lumenbeam™ Medium				Accessories: SN - Snoot (interior surface painted black) VS - Visor (interior surface painted black) WG - Wire Guard LSLA - Linear Spread Lens Adjustable LSLH - Linear Spread Lens Horizontal distribution LSLV - Linear Spread Lens Vertical distribution		
Voltage: 120 - 120 volts 208 - 208 volts 240 - 240 volts 277 - 277 volts				Finish: SI - Silver SandText BK - Black SandText WH - White CC - Custom (please specify RAL color)		
Colors and Color temperatures: RGB - 16.7 million colors, additive RGB				Option: PM5-1 - 5" [127mm] ø Round Pole Mounting, single fixture PM4.5-1 - 4.5" [114mm] ø Round Pole Mounting, single fixture PM4-1 - 4" [102mm] ø Round Pole Mounting, single fixture PM5-2 - 5" [127mm] ø Round Pole Mounting, twin fixtures PM4.5-2 - 4.5" [114mm] ø Round Pole Mounting, twin fixtures PM4-2 - 4" [102mm] ø Round Pole Mounting, twin fixtures TN2 - Tenon adapter for 2 3/8" [60mm] ø O.D. TN4 - Tenon adapter for 4" [102mm] ø O.D. SY - Short Yoke		
Optic: VN - Very Narrow 6°  NS - Narrow Spot 10°  NF - Narrow Flood 20°  FL - Flood 40° 