

Client: _____
 Project name: _____
 Order #: _____
 Type: _____ Qty: _____

FEATURES AND BENEFITS

Physical :

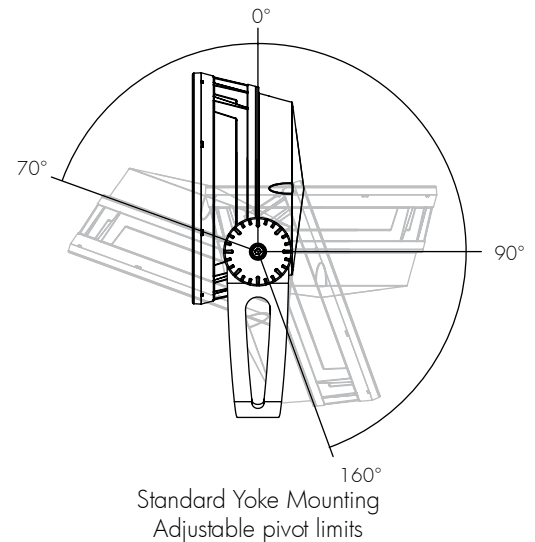
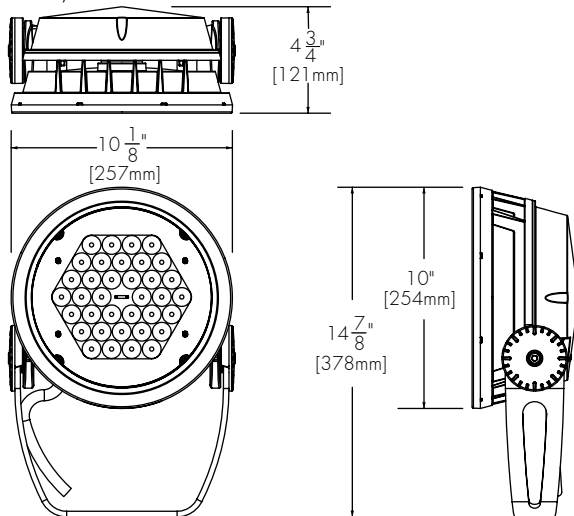
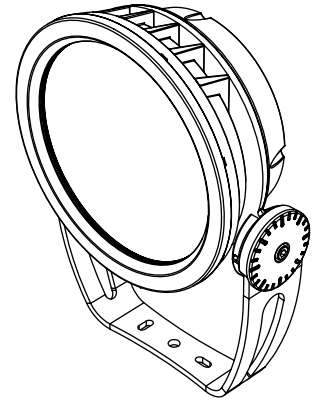
- Low copper content high pressure die-cast aluminum housing
- Heavy aluminum formed yoke (standard yoke included)
- Stainless steel hardware
- Silicone sealing devices
- Clear tempered glass
- Dual chamber design for heat management and ease of maintenance
- Electro-statically applied polyester powder coat finish
- 5.44 kg / 12 lbs
- IP66
- EPA: Front = 0.94 sq. ft. Side = 0.56 sq. ft.

Performance :

- Minimum 1 fc (10.7 lux) @ 249 feet (76m) distance (6° optic)
- 1,611 delivered lumens and 61,955 candelas at nadir (4000K,6° optic)
- 6°, 10°, 20° or 40°, Elliptical distribution on 10° and 40° optic
- Lumen maintenance L70 @ 25°C - 120,000 hrs
- Lumen measurements comply with LM - 79 - 08 standard
- Operating temperatures : -25°C to 50°C

Electrical :

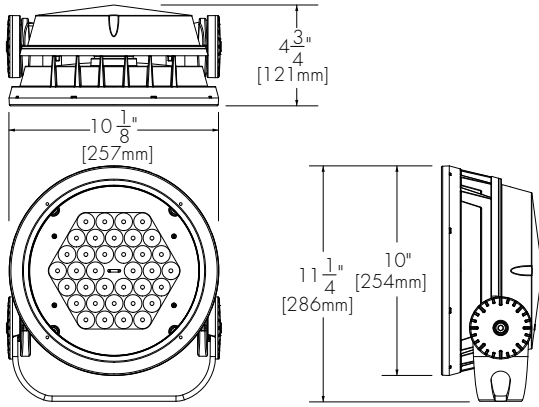
- Line voltage luminaire for 120 to 277V
- Power and data in 1 cable, 3ft cord (#16-5)
- 50 watts
- DMX 512 ready



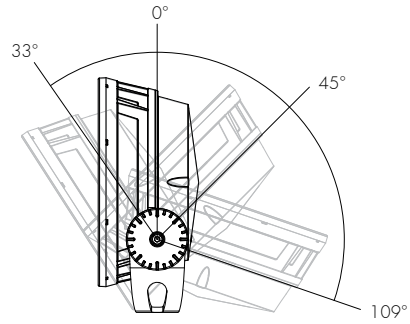
5 year warranty

Standard Yoke (as shown, included)

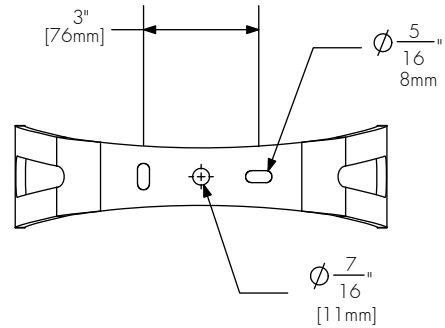
MOUNTING OPTIONS



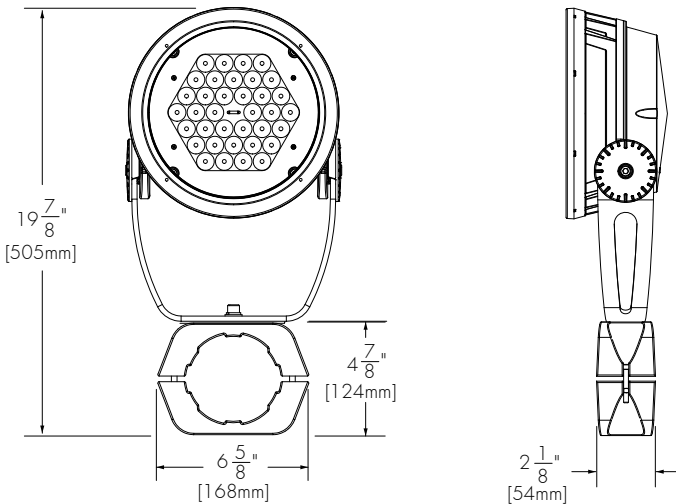
SY
Short Yoke Mounting



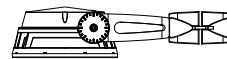
Short Yoke mounting
adjustable pivot limits



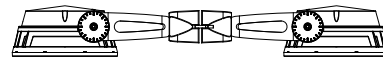
Standard and Short Yoke mounting
holes Pattern



PM
Round Pole Mounting Accessory
*Consult factory for square pole section



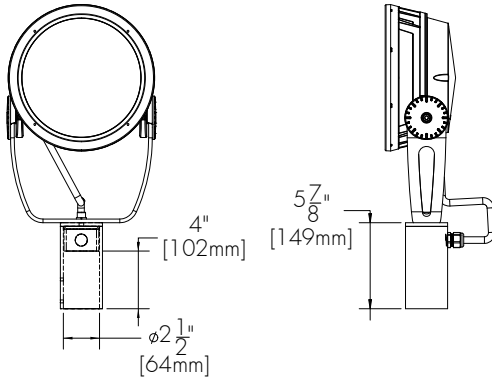
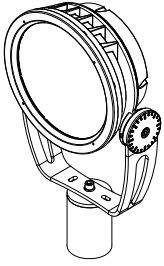
PM4-1, PM4.5-1, PM5-1
Round Pole Mounting accessory
single fixture



PM4-2, PM4.5-2, PM5-2
Round Pole Mounting accessory
twin fixtures

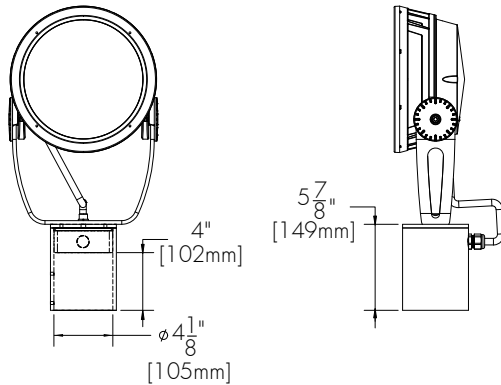
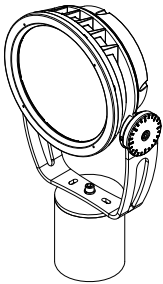
When **PM4-2, PM4.5-2 or PM5-2** are specified, one bracket assembly is supplied per 2 fixtures unless otherwise specified.

MOUNTING OPTIONS - continued from page 2



TN2

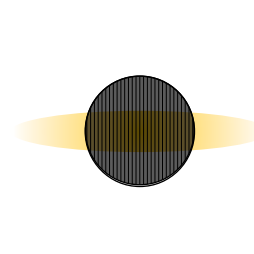
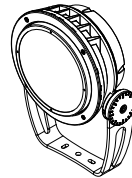
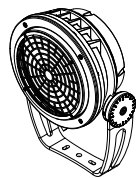
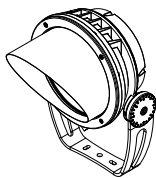
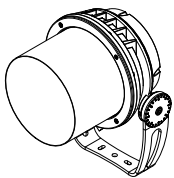
Tenon adapter
fit on 2 3/8" O.D. tenon



TN4

Tenon adapter
to fit on 4" O.D. tenon

ACCESSORIES



SN

Snoot
(interior surface painted black)

VS

Visor
(interior surface painted black)

WG

Wire Guard

LSLA

Linear Spread
Lens Adjustable

LSLH

Linear Spread Lens
Horizontal distribution
(factory installed)

LSLV

Linear Spread Lens
Vertical distribution
(factory installed)

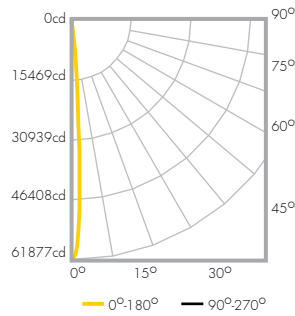
*The snoot, visor, wire guard and adjustable linear spread lens accessories cannot be combined on the same fixture.

PHOTOMETRICS

Lumenbeam Large RGB 6° optic

Lamping	50 W
Lumens	1611
Efficacy	32 lm/W

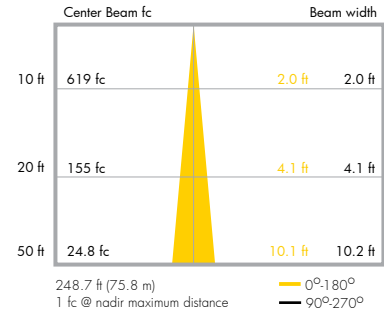
Polar Candela Distribution



Candela Table

	0	22.5	45	67.5	90
0	61877	61877	61877	61877	61877
5	18681	18681	18681	18681	18681
15	246	246	246	246	246
25	94	94	94	94	94
35	25	25	25	25	25
45	16	16	16	16	16
55	14	14	14	14	14
65	7	7	7	7	7
75	0	0	0	0	0
85	0	0	0	0	0
90	0	0	0	0	0

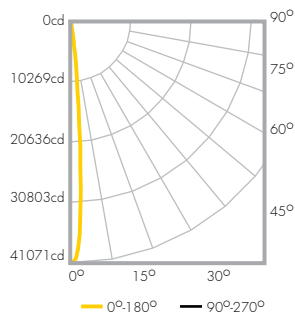
Illuminance at Distance



Lumenbeam Large RGB 10° optic

Lamping	50 W
Lumens	1374
Efficacy	27 lm/W

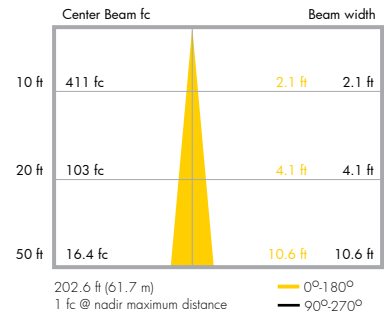
Polar Candela Distribution



Candela Table

	0	22.5	45	67.5	90
0	41071	41071	41071	41071	41071
5	18958	18958	18958	18958	18958
15	753	753	753	753	753
25	50	50	50	50	50
35	19	19	19	19	19
45	9	9	9	9	9
55	6	6	6	6	6
65	0	0	0	0	0
75	0	0	0	0	0
85	0	0	0	0	0
90	0	0	0	0	0

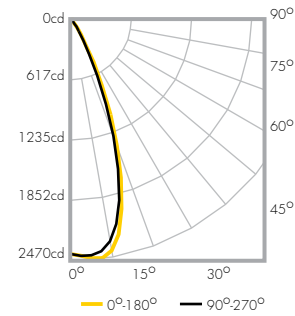
Illuminance at Distance



Lumenbeam Large RGB 40° optic

Lamping	50 W
Lumens	1139
Efficacy	22 lm/W

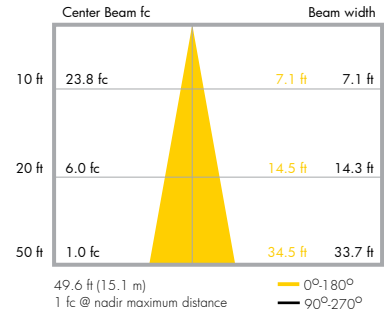
Polar Candela Distribution



Candela Table

	0	22.5	45	67.5	90
0	2381	2381	2381	2381	2381
5	2451	2443	2430	2416	2415
15	2001	1964	1952	1960	1935
25	735	649	683	713	660
35	124	98	112	115	104
45	27	25	26	27	28
55	11	11	12	12	13
65	6	6	6	6	6
75	2	2	2	2	2
85	0	0	0	0	0
90	0	0	0	0	0

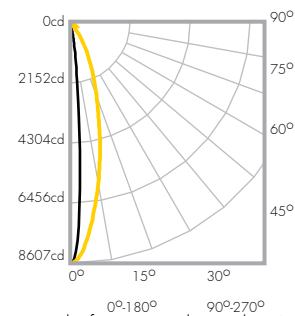
Illuminance at Distance



Lumenbeam Large RGB 10° + LSL optic

Lamping	50 W
Lumens	1374
Efficacy	27 lm/W

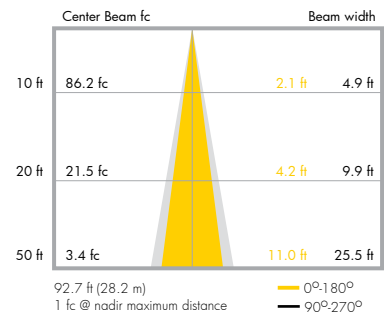
Polar Candela Distribution



Candela Table

	0	22.5	45	67.5	90
0	8607	8607	8607	8607	8607
5	4250	4600	5646	7024	7657
15	256	328	635	1893	4200
25	44	45	72	371	1930
35	24	25	27	82	763
45	12	12	15	23	202
55	5	4	5	10	263
65	2	1	2	4	233
75	0	0	0	1	101
85	0	0	0	0	0
90	0	0	0	0	0

Illuminance at Distance



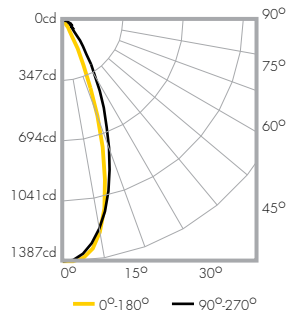
Photometric data based on test results from an independent NIST traceable testing lab. IES data is available at www.lumenpulse.com/en/support. Always refer to our website download section for the latest updates of our IES files.

PHOTOMETRICS

Lumenbeam Large
RGB
40° + LSL optic

Lamping	50 W
Lumens	1067
Efficacy	21 lm/W

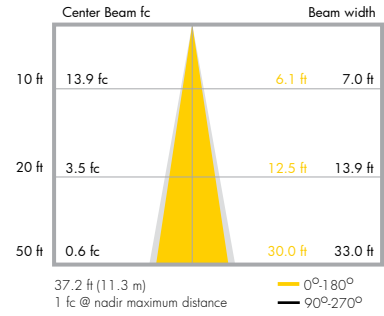
Polar Candela Distribution



Candela Table

	0	22.5	45	67.5	90
0	1387	1387	1387	1387	1387
5	1369	1367	1360	1351	1346
15	959	983	1025	1032	1017
25	301	343	466	562	562
35	61	72	135	232	250
45	21	24	39	88	106
55	11	11	14	44	76
65	6	5	6	25	61
75	2	1	2	9	25
85	0	0	0	0	1
90	0	0	0	0	0

Illuminance at Distance



Photometric data based on test results from an independent NIST traceable testing lab. IES data is available at www.lumenpulse.com/en/support. Always refer to our website download section for the latest updates of our IES files.

ACCESSORIES

Order separately

Control Systems:

- LTO** Lumentouch is a wall mount DMX 512 controller keypad
- LCU** Lumencue is a USB / mini SD DMX 512 controller
- LID** LumenID is a serializing and addressing DMX 512 controller. It must be specified on all DMX applications. Refer to LID specification sheet for details.

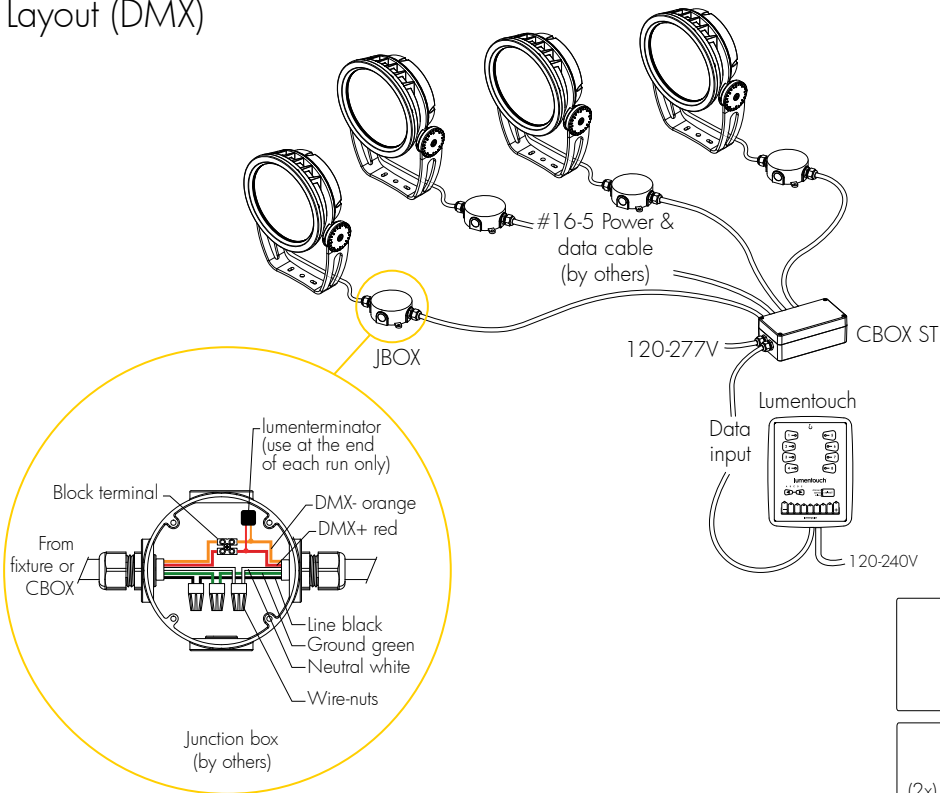
CBOX :

iCBOX-__V-__-__ Interior DMX 512 data box.
Data input and output, M20 provision holes with plugs.
Voltage input and output, M20 provision holes with plugs.
Up to four outputs to fixtures, M20 provision holes with plugs.
Please specify desired input voltage and finish.
Refer to iCBOX specification sheet for details.

CBOX-__V-__-__ DMX 512 data box.
Data input and output, M20 provision holes with plugs.
Voltage input and output, M20 provision holes with plugs.
Up to four outputs to fixtures, M20 provision holes with plugs.
Please specify desired input voltage and finish.
Refer to CBOX specification sheet for details.

TYPICAL WIRING DIAGRAMS

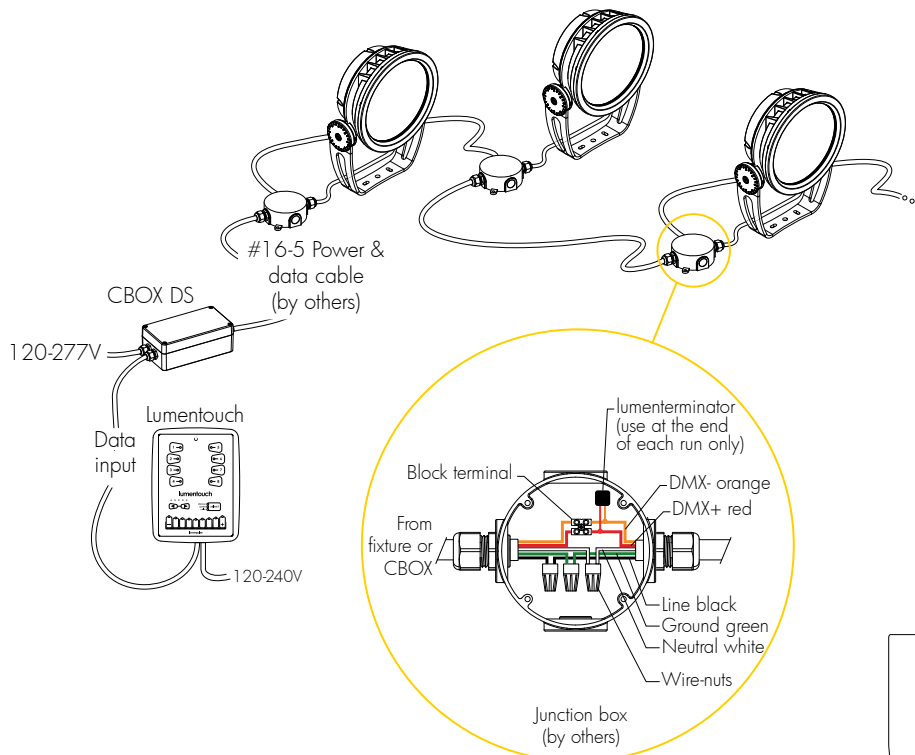
Star Layout (DMX)



16 LBL (16AWG cable) max. per CBOX ST.
6 outputs max. per CBOX ST.
200' max. total cable length per CBOX ST
(based on a 15A circuit @ 120V)




DMX terminator is required at the end of each run to maintain data integrity.
(2x) DMX lumenterminator included per CBOX DS
(6x) DMX lumenterminator included per CBOX ST
See installation instructions for details.

Daisy Chain Layout (DMX)



16 LBL (16AWG cable) max. per CBOX DS,
10' on center spacing.
2 outputs max. per CBOX DS.
200' max. total cable length per CBOX DS.
(based on a 15A circuit @ 120V)

HOW TO ORDER

LBL		RGB				
Housing	Voltage	Colors and color temperatures	Optic	Accessories	Finish	Option
1	2	3	4	5	6	7
1	2	3	4	5	6	7
Housing: LBL - Lumenbeam™ Large				Accessories: SN - Snoot (interior surface painted black) VS - Visor (interior surface painted black) WG - Wire Guard LSLA - Linear Spread Lens Adjustable LSLH - Linear Spread Lens Horizontal distribution LSLV - Linear Spread Lens Vertical distribution		
Voltage: 120 - 120 volts 208 - 208 volts 240 - 240 volts 277 - 277 volts				Finish: SI - Silver SandText BK - Black SandText WH - White CC - Custom (please specify RAL color)		
Colors and Color temperatures: RGB - 16.7 million colors, additive RGB				Option: PM5-1 - 5" [127mm] ø Round Pole Mounting, single fixture PM4.5-1 - 4.5" [114mm] ø Round Pole Mounting, single fixture PM4-1 - 4" [102mm] ø Round Pole Mounting, single fixture PM5-2 - 5" [127mm] ø Round Pole Mounting, twin fixtures PM4.5-2 - 4.5" [114mm] ø Round Pole Mounting, twin fixtures PM4-2 - 4" [102mm] ø Round Pole Mounting, twin fixtures TN2 - Tenon adapter for 2 3/8" [60mm] ø O.D. TN4 - Tenon adapter for 4" [102mm] ø O.D. SY - Short Yoke		
Optic: VN - Very Narrow 6°  NS - Narrow Spot 10°  NF - Narrow Flood 20°  FL - Flood 40° 